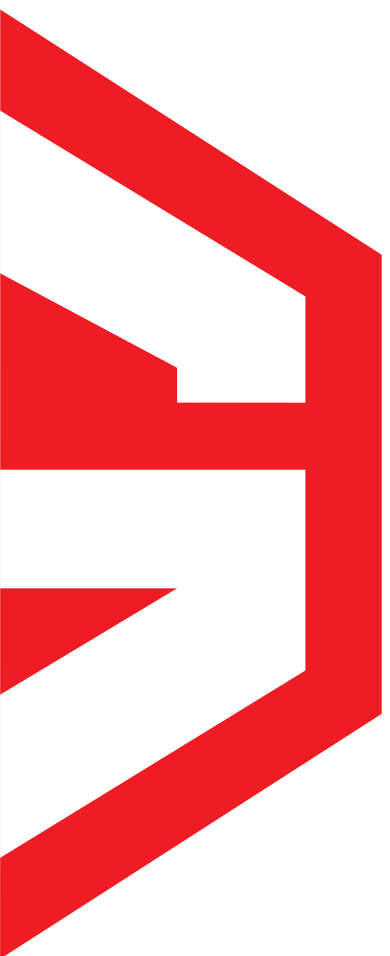


System fittings

General catalogue

04 / 2016





FITTINGS®



Welcome to G-FITTINGS

Let your imagination run wild

Want to create a tasteful atmosphere with a recognized personal touch? You can, with the product systems of G-FITTINGS. These systems are ideal for your contemporary designs. G-FITTINGS' extensive range gives you virtually unlimited creative freedom to achieve remarkable results. The system solutions from G-FITTINGS will help you to turn your ideas into reality.

System solutions

G-FITTINGS offers sophisticated, professional solutions. A wide range of products, materials and surfaces are available, making the most diverse applications possible. Plus, because all items are mutually coordinated and combinable, it's easy for you to achieve the result you desire. Featuring quick and easy installation, G-FITTINGS' systems provide modern, flexible and economical solutions.

High quality standards

Quality is at the centre of the production and installation of G-FITTINGS. At G-FITTINGS, our very precise manufacturing processes are designed to produce high-quality products with extremely consistent surface appearance. Plus, G-FITTINGS offers quick installation options, providing efficient implementation and excellent results for you.

Perfect logistics for fast delivery

G-FITTINGS always delivers the right product at the right time and right place. We use the latest software and work closely with our UPS and freight forwarding partners. With 4000 m² of storage space filled with approximately 2000 inventory items, we guarantee the shortest possible delivery times. All orders of individual parts received by noon are dispatched the same day. Custom made products are received within 14 business days.

Our flexibility leads to your success

In addition to our extensive standard range we also have the technical ability to develop and manufacture customized solutions based on your needs and specifications. With this almost all kinds of products and dimensions are possible. Please contact us for advice.





1 Doors and door fittings 8



2 Handles 88



3 Partition wall and projecting roof systems 106



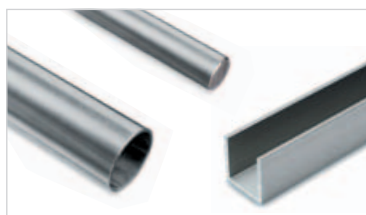
4 Posts, brackets and clamps 124



5 Sanitary interior 174



6 Interior solutions 190



7 Tubes, rods and profiles 254



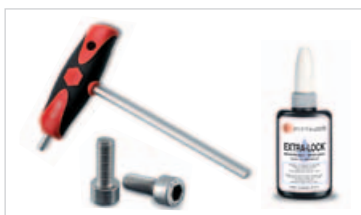
8 Rail fittings 266



9 End caps 286

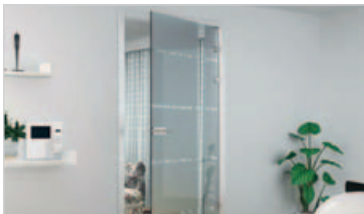


10 Glass and mirrors 294



11 Accessories 298





1 Doors 10



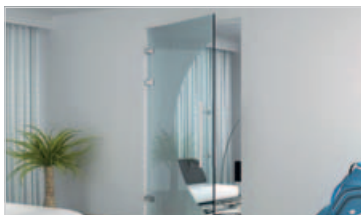
1 Door fittings 28



1 Sliding doors 36



1 Sliding door fittings 48



1 Swing doors 54



1 Swing door fittings 61



1 EKU systems 76



1 HAWA systems 84

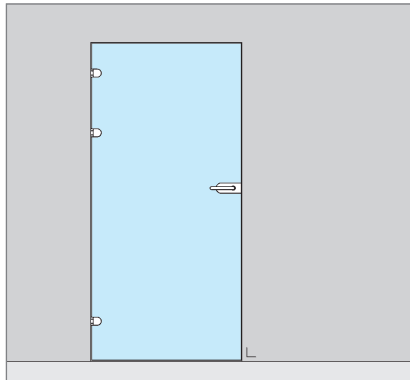
Door UV - 5000



Stainless steel design / Chrome design

Door weight max. 35 kg
 Door height max. 1950 mm
 Door width max. 900 mm
 Glass 8 mm

Wall



Stainless steel design	Chrome design
Art.no.	Art.no.
29.5000.001.12	29.5000.001.10

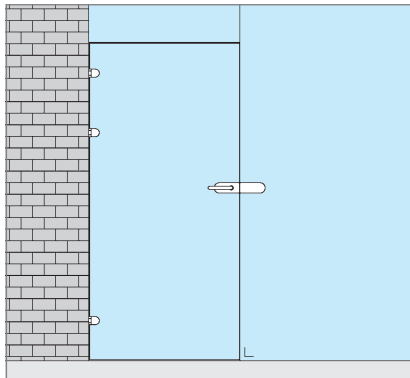


3 x 41.0202.000...
(■ 28)



1 x 45.2210.001...
(■ 100)

Wall / Glass



Stainless steel design	Chrome design
Art.no.	Art.no.
29.5000.002.12	29.5000.002.10



3 x 41.0202.000...
(■ 28)

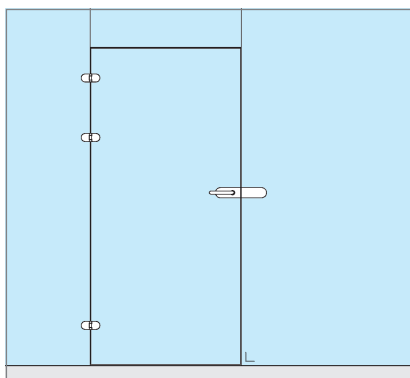


1 x 45.2210.001...
(■ 100)



1 x 45.2211.000...
(■ 101)

Glass / Glass



Stainless steel design	Chrome design
Art.no.	Art.no.
29.5000.003.12	29.5000.003.10



3 x 41.0201.000...
(■ 28)



1 x 45.2210.001...
(■ 100)



1 x 45.2211.000...
(■ 101)

For further details visit: www.g-fittings.com

Door PZ - 5001



Stainless steel design
Chrome design

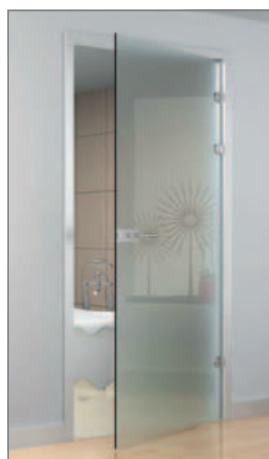
Door weight max. 35 kg
Door height max. 1950 mm
Door width max. 900 mm
Glass 8 mm

INFO optional



103

Door WC - 5002

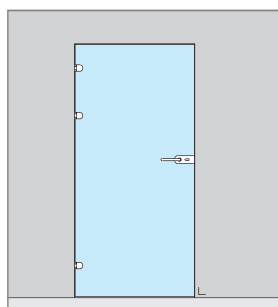


Stainless steel design
Chrome design

Door weight max. 35 kg
Door height max. 1950 mm
Door width max. 900 mm
Glass 8 mm



Wall



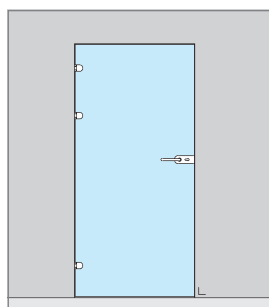
Stainless steel design	Chrome design
Art.no.	Art.no.

29.5001.001.12	29.5001.001.10
----------------	----------------



3 x	1 x
41.0202.000...	45.2210.002...
(1028)	(1100)

Wall



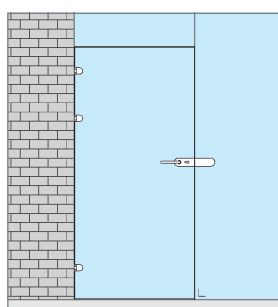
Stainless steel design	Chrome design
Art.no.	Art.no.

29.5002.001.12	29.5002.001.10
----------------	----------------



3 x	1 x
41.0202.000...	45.2210.003...
(1028)	(1101)

Wall / Glass



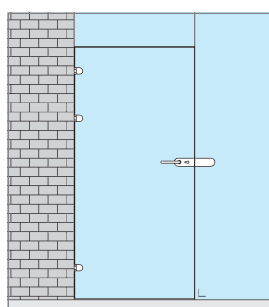
Stainless steel design	Chrome design
Art.no.	Art.no.

29.5001.002.12	29.5001.002.10
----------------	----------------



3 x	1 x	1 x
41.0202.000...	45.2210.002...	45.2211.000...
(1028)	(1100)	(1101)

Wall / Glass



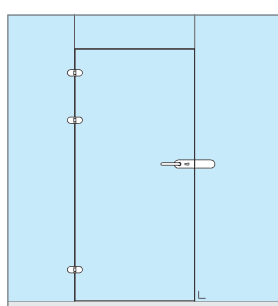
Stainless steel design	Chrome design
Art.no.	Art.no.

29.5002.002.12	29.5002.002.10
----------------	----------------



3 x	1 x	1 x
41.0202.000...	45.2210.003...	45.2211.000...
(1028)	(1101)	(1101)

Glass / Glass



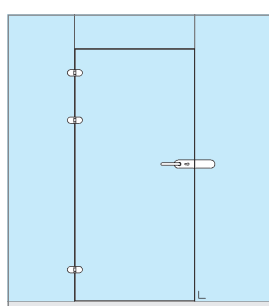
Stainless steel design	Chrome design
Art.no.	Art.no.

29.5001.003.12	29.5001.003.10
----------------	----------------



3 x	1 x	1 x
41.0201.000...	45.2210.002...	45.2211.000...
(1028)	(1100)	(1101)

Glass / Glass



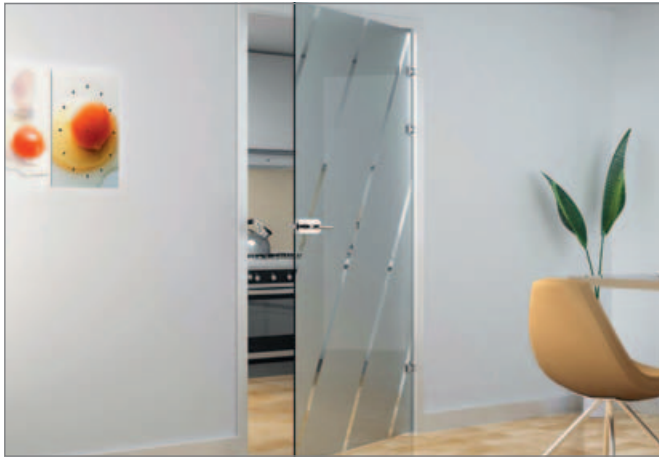
Stainless steel design	Chrome design
Art.no.	Art.no.

29.5002.003.12	29.5002.003.10
----------------	----------------



3 x	1 x	1 x
41.0201.000...	45.2210.003...	45.2211.000...
(1028)	(1101)	(1101)

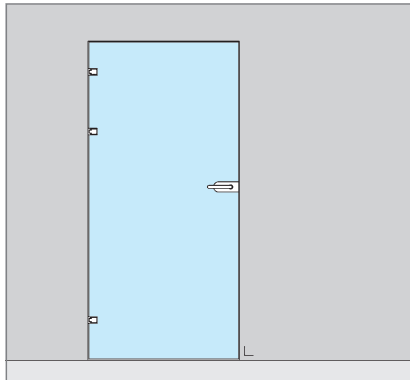
Door UV - 5003



Stainless steel design / Chrome design

Door weight max. 35 kg
 Door height max. 1950 mm
 Door width max. 900 mm
 Glass 8 mm

Wall



Stainless steel design	Chrome design
Art.no.	Art.no.
29.5003.001.12	29.5003.001.10

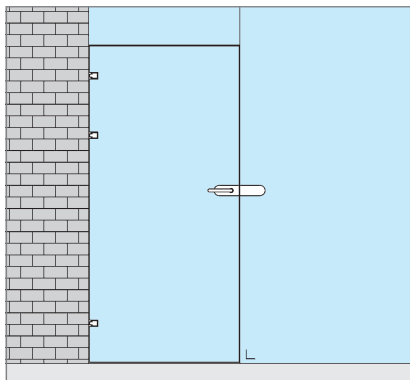


3 x 41.0302.000...
(■ 29)



1 x 45.2210.001...
(■ 100)

Wall / Glass



Stainless steel design	Chrome design
Art.no.	Art.no.
29.5003.002.12	29.5003.002.10



3 x 41.0302.000...
(■ 29)

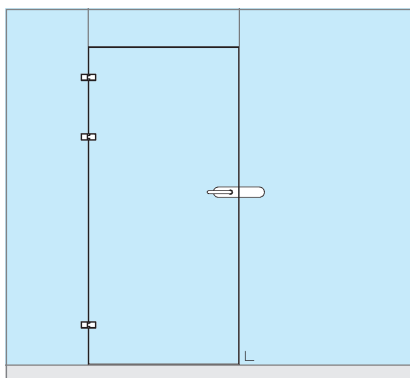


1 x 45.2210.001...
(■ 100)



1 x 45.2211.000...
(■ 101)

Glass / Glass



Stainless steel design	Chrome design
Art.no.	Art.no.
29.5003.003.12	29.5003.003.10



3 x 41.0301.000...
(■ 29)



1 x 45.2210.001...
(■ 100)



1 x 45.2211.000...
(■ 101)

For further details visit: www.g-fittings.com

Door PZ - 5004



Stainless steel design
Chrome design

Door weight max. 35 kg
Door height max. 1950 mm
Door width max. 900 mm
Glass 8 mm

INFO optional



Door WC - 5005

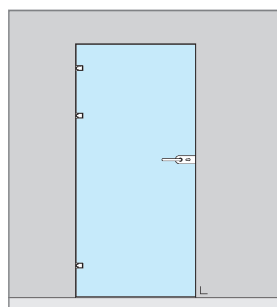


Stainless steel design
Chrome design

Door weight max. 35 kg
Door height max. 1950 mm
Door width max. 900 mm
Glass 8 mm



Wall



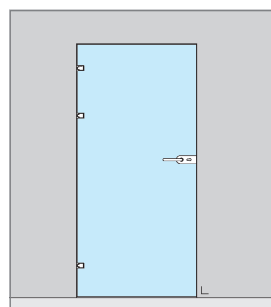
Stainless steel design	Chrome design
Art.no.	Art.no.

29.5004.001.12	29.5004.001.10
----------------	----------------



3 x	1 x
41.0302.000...	45.2210.002...
(☐ 29)	(☐ 100)

Wall



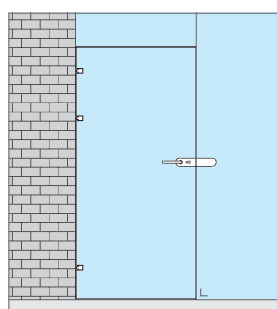
Stainless steel design	Chrome design
Art.no.	Art.no.

29.5005.001.12	29.5005.001.10
----------------	----------------



3 x	1 x
41.0302.000...	45.2210.003...
(☐ 29)	(☐ 101)

Wall / Glass



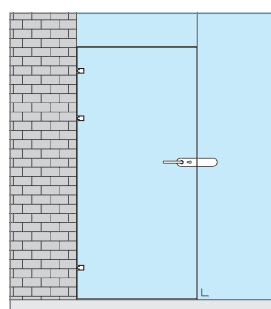
Stainless steel design	Chrome design
Art.no.	Art.no.

29.5004.002.12	29.5004.002.10
----------------	----------------



3 x	1 x	1 x
41.0302.000...	45.2210.002...	45.2211.000...
(☐ 29)	(☐ 100)	(☐ 101)

Wall / Glass



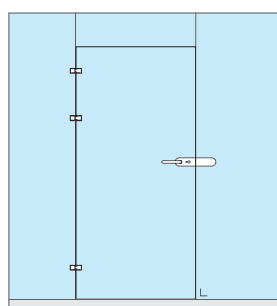
Stainless steel design	Chrome design
Art.no.	Art.no.

29.5005.002.12	29.5005.002.10
----------------	----------------



3 x	1 x	1 x
41.0302.000...	45.2210.003...	45.2211.000...
(☐ 29)	(☐ 101)	(☐ 101)

Glass / Glass



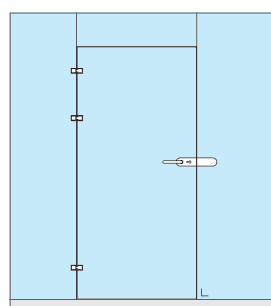
Stainless steel design	Chrome design
Art.no.	Art.no.

29.5004.003.12	29.5004.003.10
----------------	----------------



3 x	1 x	1 x
41.0301.000...	45.2210.002...	45.2211.000...
(☐ 29)	(☐ 100)	(☐ 101)

Glass / Glass



Stainless steel design	Chrome design
Art.no.	Art.no.

29.5005.003.12	29.5005.003.10
----------------	----------------



3 x	1 x	1 x
41.0301.000...	45.2210.003...	45.2211.000...
(☐ 29)	(☐ 101)	(☐ 101)

For further details visit: www.g-fittings.com

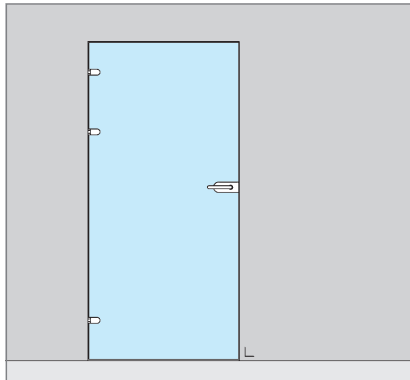
Door UV - 5006



Stainless steel design / Chrome design

Door weight max. 35 kg
 Door height max. 1950 mm
 Door width max. 900 mm
 Glass 8 mm

Wall



Stainless steel design	Chrome design
Art.no.	Art.no.
29.5006.001.12	29.5006.001.10

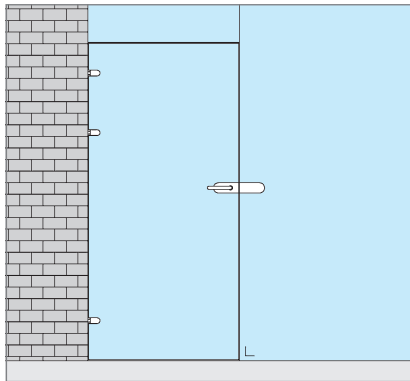


3 x 41.0402.000...
(= 29)



1 x 45.2210.001...
(= 100)

Wall / Glass



Stainless steel design	Chrome design
Art.no.	Art.no.
29.5006.002.12	29.5006.002.10



3 x 41.0402.000...
(= 29)

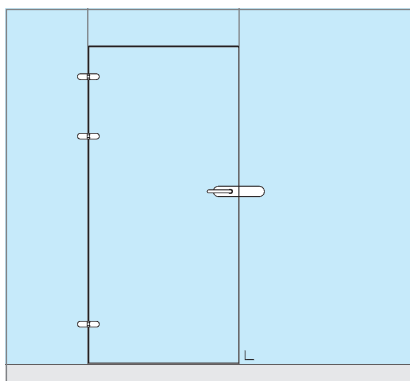


1 x 45.2210.001...
(= 100)



1 x 45.2211.000...
(= 101)

Glass / Glass



Stainless steel design	Chrome design
Art.no.	Art.no.
29.5006.003.12	29.5006.003.10



3 x 41.0401.000...
(= 29)



1 x 45.2210.001...
(= 100)



1 x 45.2211.000...
(= 101)

For further details visit: www.g-fittings.com

Door PZ - 5007



Stainless steel design
Chrome design

Door weight max. 35 kg
Door height max. 1950 mm
Door width max. 900 mm
Glass 8 mm

INFO optional



Door WC - 5008

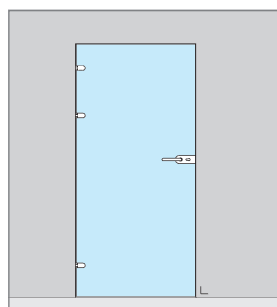


Stainless steel design
Chrome design

Door weight max. 35 kg
Door height max. 1950 mm
Door width max. 900 mm
Glass 8 mm



Wall



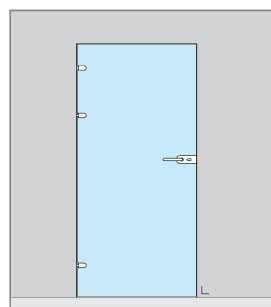
Stainless steel design	Chrome design
Art.no.	Art.no.

29.5007.001.12	29.5007.001.10
----------------	----------------



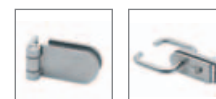
3 x	1 x
41.0402.000...	45.2210.002...
(■ 29)	(■ 100)

Wall



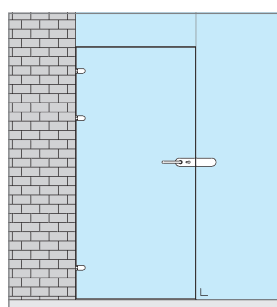
Stainless steel design	Chrome design
Art.no.	Art.no.

29.5008.001.12	29.5008.001.10
----------------	----------------



3 x	1 x
41.0402.000...	45.2210.003...
(■ 29)	(■ 101)

Wall / Glass



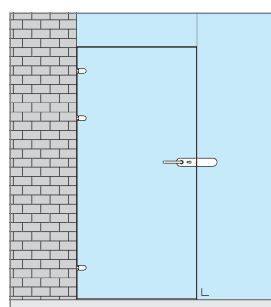
Stainless steel design	Chrome design
Art.no.	Art.no.

29.5007.002.12	29.5007.002.10
----------------	----------------



3 x	1 x	1 x
41.0402.000...	45.2210.002...	45.2211.000...
(■ 29)	(■ 100)	(■ 101)

Wall / Glass



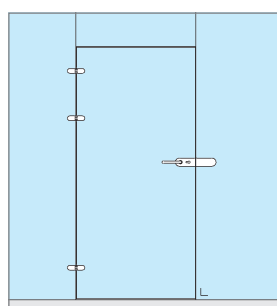
Stainless steel design	Chrome design
Art.no.	Art.no.

29.5008.002.12	29.5008.002.10
----------------	----------------



3 x	1 x	1 x
41.0402.000...	45.2210.003...	45.2211.000...
(■ 29)	(■ 101)	(■ 101)

Glass / Glass



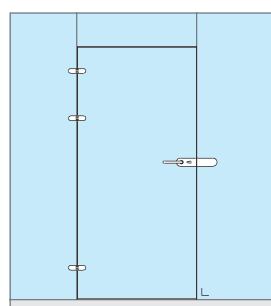
Stainless steel design	Chrome design
Art.no.	Art.no.

29.5007.003.12	29.5007.003.10
----------------	----------------



3 x	1 x	1 x
41.0401.000...	45.2210.002...	45.2211.000...
(■ 29)	(■ 100)	(■ 101)

Glass / Glass



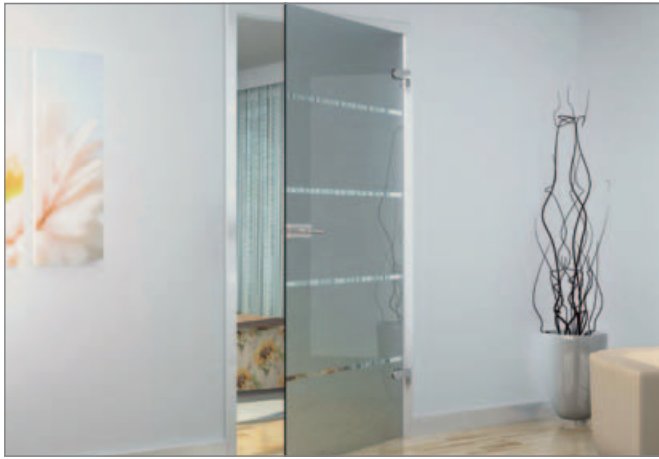
Stainless steel design	Chrome design
Art.no.	Art.no.

29.5008.003.12	29.5008.003.10
----------------	----------------



3 x	1 x	1 x
41.0401.000...	45.2210.003...	45.2211.000...
(■ 29)	(■ 101)	(■ 101)

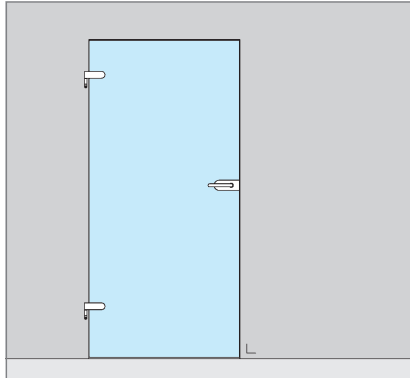
Door UV - 5009



Stainless steel design / Chrome design

Door weight max. 50 kg
 Door height max. 2000 mm (glass 10 mm)
 Door width max. 1000 mm
 Glass 8 mm, 10 mm

Wall



Stainless steel design Chrome design

Art.no.	Art.no.
29.5009.001.12	29.5009.001.10

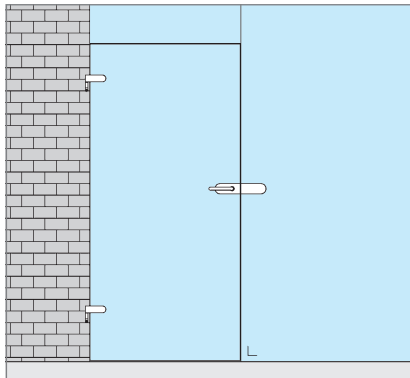


2 x 45.2250.000...
(■ 32)



1 x 45.2210.001...
(■ 100)

Wall / Glass



Stainless steel design Chrome design

Art.no.	Art.no.
29.5009.002.12	29.5009.002.10



2 x 45.2250.000...
(■ 32)



1 x 45.2210.001...
(■ 100)



1 x 45.2211.000...
(■ 101)

For further details visit: www.g-fittings.com

Door PZ - 5010



Stainless steel design
Chrome design

Door weight max. 50 kg
Door height max. 2000 mm
(glass 10 mm)
Door width max. 1000 mm
Glass 8 mm, 10 mm

INFO optional



Door WC - 5011

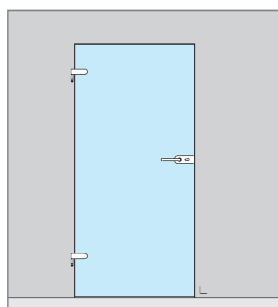


Stainless steel design
Chrome design

Door weight max. 50 kg
Door height max. 2000 mm
(glass 10 mm)
Door width max. 1000 mm
Glass 8 mm, 10 mm



Wall



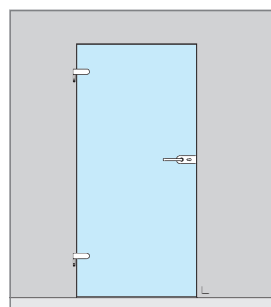
Stainless steel design Chrome design
Art.no. Art.no.

29.5010.001.12 29.5010.001.10



2 x 1 x
45.2250.000... 45.2210.002...
(103) (100)

Wall



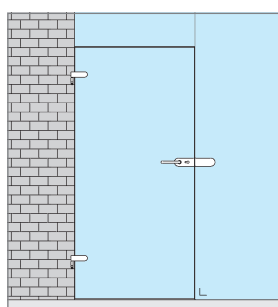
Stainless steel design Chrome design
Art.no. Art.no.

29.5011.001.12 29.5011.001.10



2 x 1 x
45.2250.000... 45.2210.003...
(103) (101)

Wall / Glass



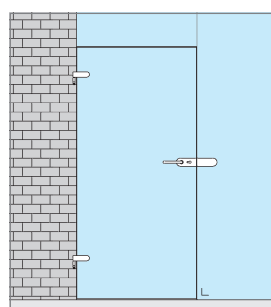
Stainless steel design Chrome design
Art.no. Art.no.

29.5010.002.12 29.5010.002.10



2 x 1 x 1 x
45.2250.000... 45.2210.002... 45.2211.000...
(103) (100) (101)

Wall / Glass



Stainless steel design Chrome design
Art.no. Art.no.

29.5011.002.12 29.5011.002.10



2 x 1 x 1 x
45.2250.000... 45.2210.003... 45.2211.000...
(103) (101) (101)

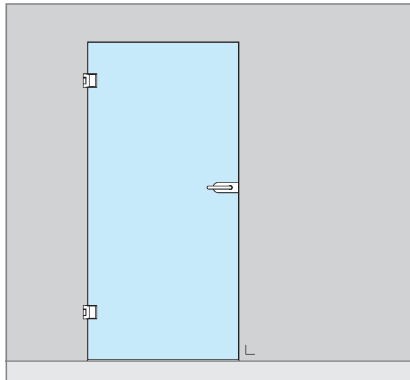
Door UV - 5012



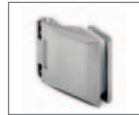
Stainless steel design / Chrome design

Door weight max. 50 kg
 Door height max. 2000 mm (glass 10 mm)
 Door width max. 1000 mm
 Glass 8 mm, 10 mm

Wall



Stainless steel design	Chrome design
Art.no.	Art.no.
29.5012.001.12	29.5012.001.10

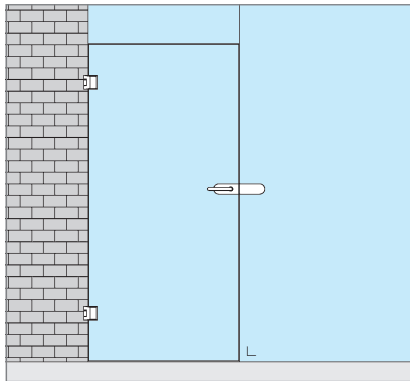


2 x 45.2270.000...
(= 32)



1 x 45.2210.001...
(= 100)

Wall / Glass



Stainless steel design	Chrome design
Art.no.	Art.no.
29.5012.002.12	29.5012.002.10



2 x 45.2270.000...
(= 32)



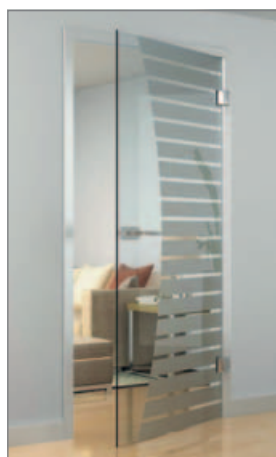
1 x 45.2210.001...
(= 100)



1 x 45.2211.000...
(= 101)

For further details visit: www.g-fittings.com

Door PZ - 5013



Stainless steel design
Chrome design

Door weight max. 50 kg
Door height max. 2000 mm
(glass 10 mm)
Door width max. 1000 mm
Glass 8 mm, 10 mm

INFO optional



Door WC - 5014



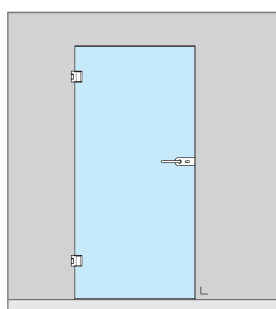
Stainless steel design
Chrome design

Door weight max. 50 kg
Door height max. 2000 mm
(glass 10 mm)
Door width max. 1000 mm
Glass 8 mm, 10 mm



1

Wall



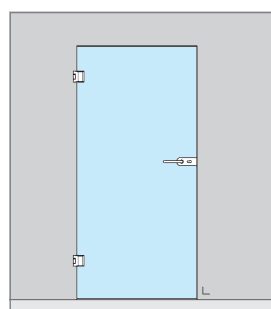
Stainless steel design	Chrome design
Art.no.	Art.no.

29.5013.001.12	29.5013.001.10
----------------	----------------



2 x	1 x
45.2270.000... (☐ 32)	45.2210.002... (☐ 100)

Wall



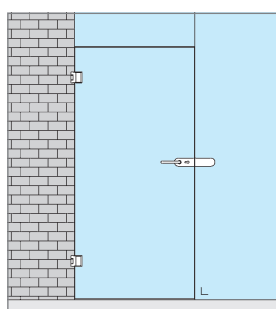
Stainless steel design	Chrome design
Art.no.	Art.no.

29.5014.001.12	29.5014.001.10
----------------	----------------



2 x	1 x
45.2270.000... (☐ 32)	45.2210.003... (☐ 101)

Wall / Glass



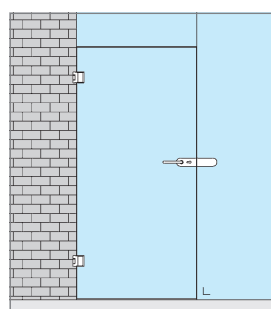
Stainless steel design	Chrome design
Art.no.	Art.no.

29.5013.002.12	29.5013.002.10
----------------	----------------



2 x	1 x	1 x
45.2270.000... (☐ 32)	45.2210.002... (☐ 100)	45.2211.000... (☐ 101)

Wall / Glass



Stainless steel design	Chrome design
Art.no.	Art.no.

29.5014.002.12	29.5014.002.10
----------------	----------------



2 x	1 x	1 x
45.2270.000... (☐ 32)	45.2210.003... (☐ 101)	45.2211.000... (☐ 101)

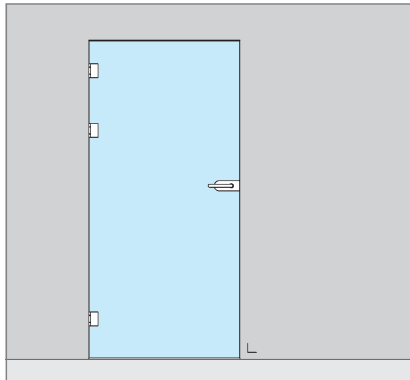
Door UV - 5026



Stainless steel design / Chrome design

Door weight max. 45 kg
 Door height max. 2050 mm (glass 8 mm)
 Door width max. 1100 mm
 Glass 8 mm, 10 mm

Wall



Stainless steel design	Chrome design
Art.no.	Art.no.
29.5026.001.12	29.5026.001.10

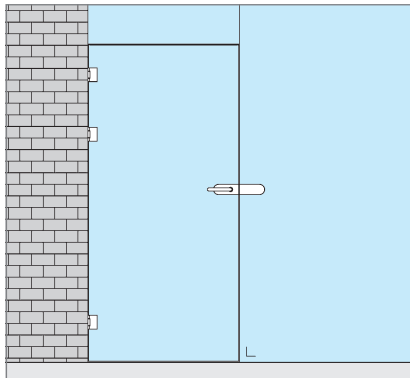


3 x 45.2240.000...
(■ 33)



1 x 45.2210.001...
(■ 100)

Wall / Glass



Stainless steel design	Chrome design
Art.no.	Art.no.
29.5026.002.12	29.5026.002.10



3 x 45.2240.000...
(■ 33)



1 x 45.2210.001...
(■ 100)



1 x 45.2211.000...
(■ 101)

For further details visit: www.g-fittings.com

Door PZ - 5027



Stainless steel design
Chrome design

Door weight max. 45 kg
Door height max. 2050 mm
(glass 8 mm)
Door width max. 1100 mm
Glass 8 mm, 10 mm

INFO optional



Door WC - 5028

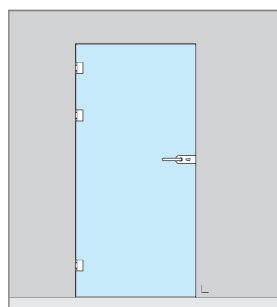


Stainless steel design
Chrome design

Door weight max. 45 kg
Door height max. 2050 mm
(glass 8 mm)
Door width max. 1100 mm
Glass 8 mm, 10 mm



Wall



Stainless steel design Chrome design
Art.no. Art.no.

29.5027.001.12 29.5027.001.10

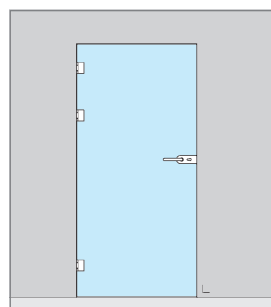


3 x
45.2240.000...
(= 33)



1 x
45.2210.002...
(= 100)

Wall



Stainless steel design Chrome design
Art.no. Art.no.

29.5028.001.12 29.5028.001.10

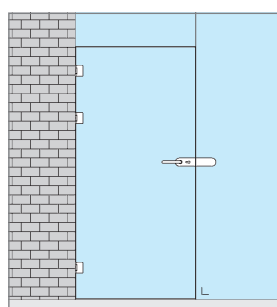


3 x
45.2240.000...
(= 33)



1 x
45.2210.003...
(= 101)

Wall / Glass



Stainless steel design Chrome design
Art.no. Art.no.

29.5027.002.12 29.5027.002.10



3 x
45.2240.000...
(= 33)

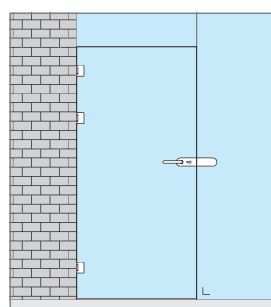


1 x
45.2210.002...
(= 100)



1 x
45.2211.000...
(= 101)

Wall / Glass



Stainless steel design Chrome design
Art.no. Art.no.

29.5028.002.12 29.5028.002.10



3 x
45.2240.000...
(= 33)

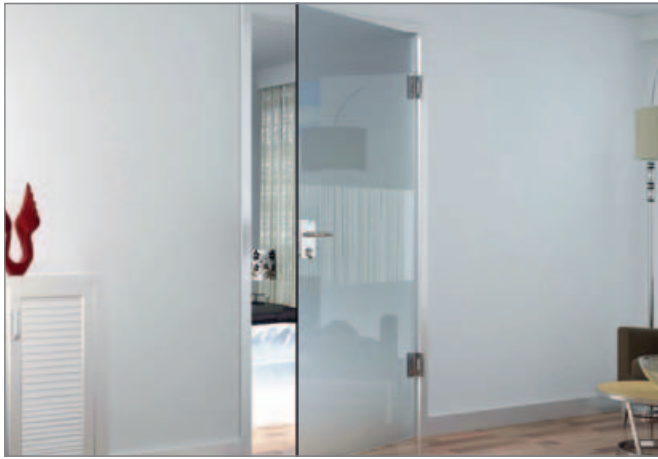


1 x
45.2210.003...
(= 101)



1 x
45.2211.000...
(= 101)

Door PZ - 5020



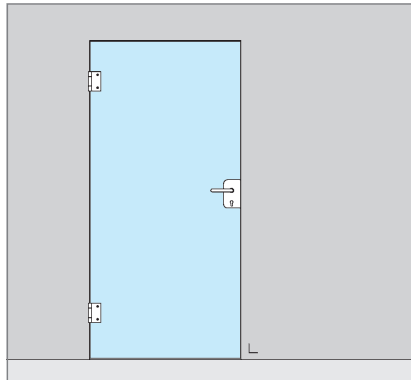
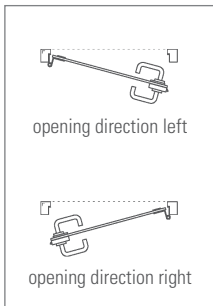
Stainless steel design / Chrome design

Door weight max. 70 kg
 Door height max. 1950 mm (glass 12 mm)
 Door width max. 1200 mm
 Glass 10 mm, 12 mm

INFO optional



Wall



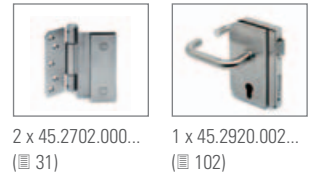
opening direction left

Stainless steel design	Chrome design
Art.no.	Art.no.
29.5020.101.12	29.5020.101.10

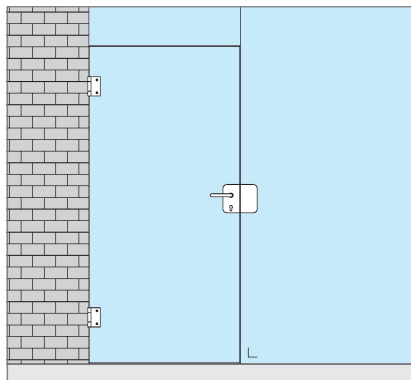
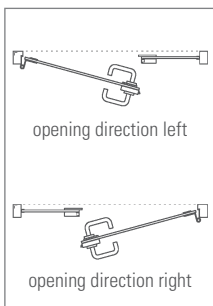


opening direction right

Stainless steel design	Chrome design
Art.no.	Art.no.
29.5020.201.12	29.5020.201.10



Wall / Glass



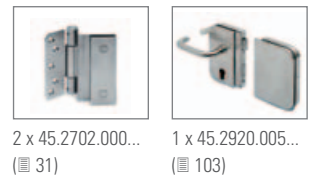
opening direction left

Stainless steel design	Chrome design
Art.no.	Art.no.
29.5020.102.12	29.5020.102.10

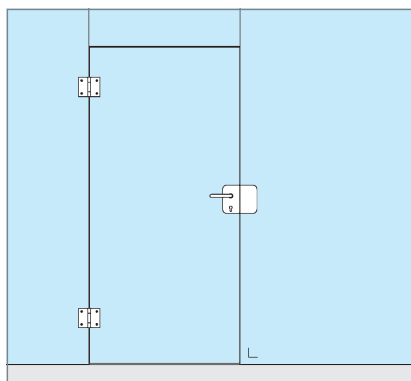
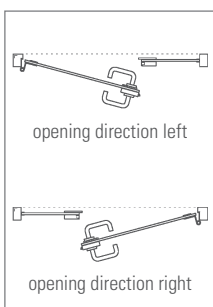


opening direction right

Stainless steel design	Chrome design
Art.no.	Art.no.
29.5020.202.12	29.5020.202.10



Glass / Glass



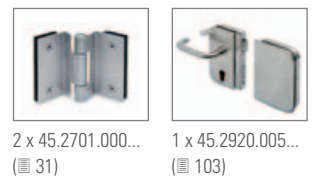
opening direction left

Stainless steel design	Chrome design
Art.no.	Art.no.
29.5020.103.12	29.5020.103.10



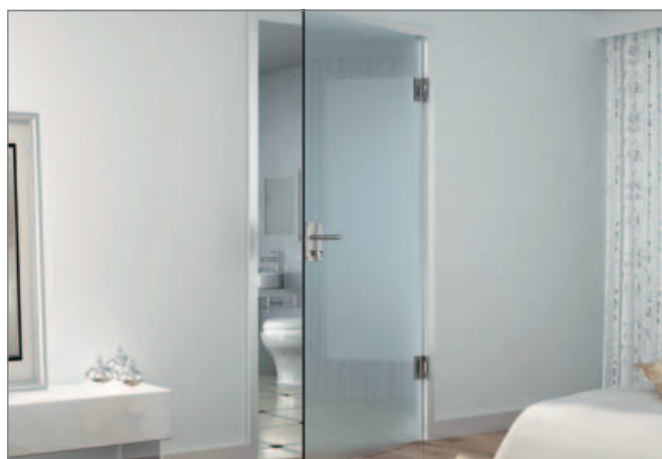
opening direction right

Stainless steel design	Chrome design
Art.no.	Art.no.
29.5020.203.12	29.5020.203.10



For further details visit: www.g-fittings.com

Door WC - 5021

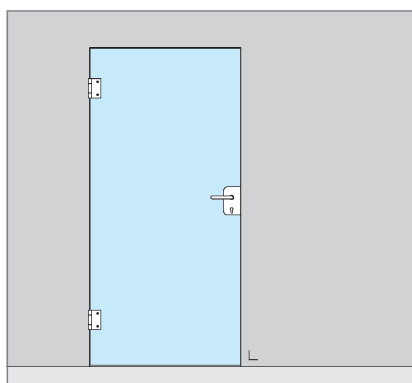
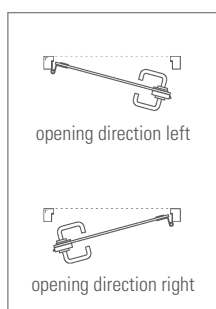


Stainless steel design / Chrome design

Door weight max. 70 kg
 Door height max. 1950 mm (glass 12 mm)
 Door width max. 1200 mm
 Glass 10 mm, 12 mm



Wall



opening direction left

Stainless steel design	Chrome design
Art.no.	Art.no.
29.5021.101.12	29.5021.101.10



2 x 45.2702.000...
(= 31)



1 x 45.2910.003...
(= 104)

opening direction right

Stainless steel design	Chrome design
Art.no.	Art.no.
29.5021.201.12	29.5021.201.10

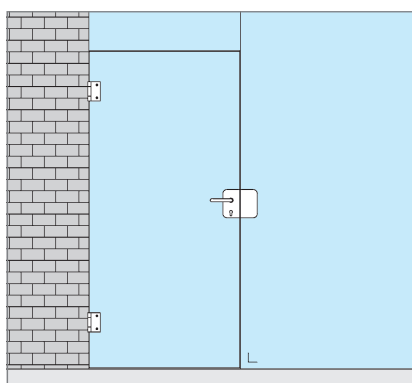
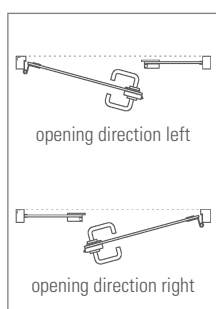


2 x 45.2702.000...
(= 31)



1 x 45.2920.003...
(= 104)

Wall / Glass



opening direction left

Stainless steel design	Chrome design
Art.no.	Art.no.
29.5021.102.12	29.5021.102.10



2 x 45.2702.000...
(= 31)



1 x 45.2910.006...
(= 105)

opening direction right

Stainless steel design	Chrome design
Art.no.	Art.no.
29.5021.202.12	29.5021.202.10

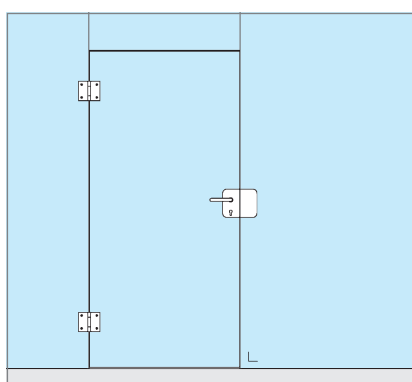
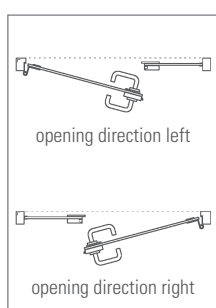


2 x 45.2702.000...
(= 31)



1 x 45.2920.006...
(= 105)

Glass / Glass



opening direction left

Stainless steel design	Chrome design
Art.no.	Art.no.
29.5021.103.12	29.5021.103.10



2 x 45.2701.000...
(= 31)



1 x 45.2910.006...
(= 105)

opening direction right

Stainless steel design	Chrome design
Art.no.	Art.no.
29.5021.203.12	29.5021.203.10



2 x 45.2701.000...
(= 31)



1 x 45.2920.006...
(= 105)

For further details visit: www.g-fittings.com

Door PZ - 5022



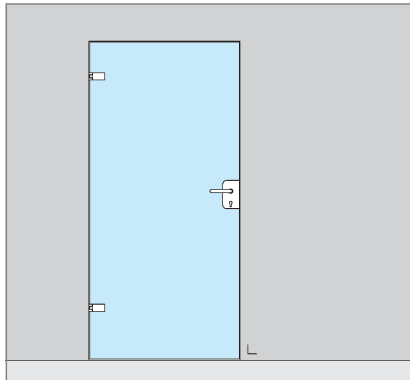
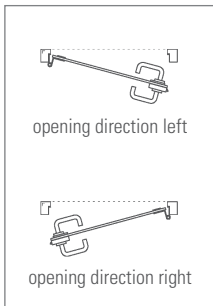
Stainless steel design / Chrome design

Door weight max. 50 kg
 Door height max. 2000 mm (glass 10 mm)
 Door width max. 1000 mm
 Glass 8 mm, 10 mm

INFO optional



Wall



opening direction left

Stainless steel design	Chrome design
Art.no.	Art.no.
29.5022.101.12	29.5022.101.10

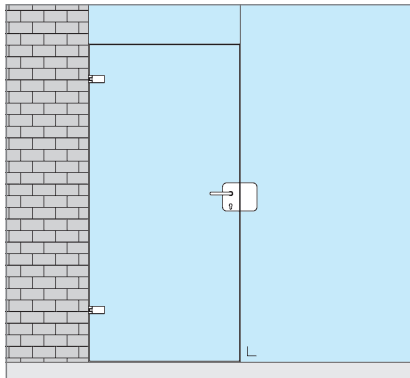
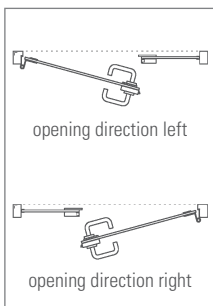


opening direction right

Stainless steel design	Chrome design
Art.no.	Art.no.
29.5022.201.12	29.5022.201.10



Wall / Glass



opening direction left

Stainless steel design	Chrome design
Art.no.	Art.no.
29.5022.102.12	29.5022.102.10

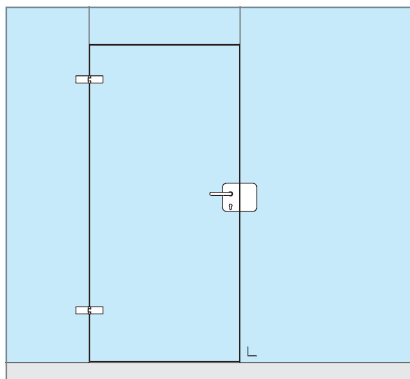
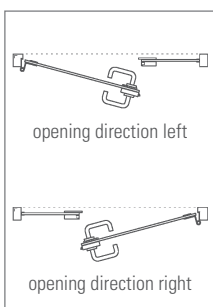


opening direction right

Stainless steel design	Chrome design
Art.no.	Art.no.
29.5022.202.12	29.5022.202.10

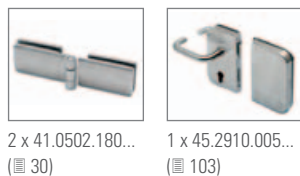


Glass / Glass



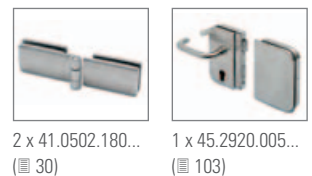
opening direction left

Stainless steel design	Chrome design
Art.no.	Art.no.
29.5022.103.12	29.5022.103.10



opening direction right

Stainless steel design	Chrome design
Art.no.	Art.no.
29.5022.203.12	29.5022.203.10



For further details visit: www.g-fittings.com

Door WC - 5023

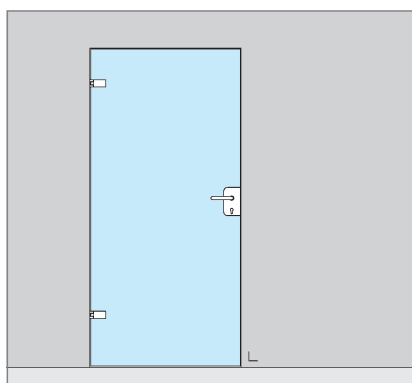
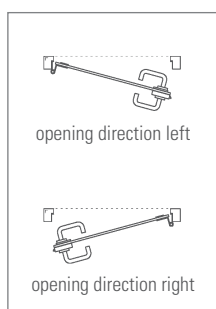


Stainless steel design / Chrome design

Door weight max. 50 kg
 Door height max. 2000 mm (glass 10 mm)
 Door width max. 1000 mm
 Glass 8 mm, 10 mm



Wall



opening direction left

Stainless steel design	Chrome design
Art.no.	Art.no.
29.5023.101.12	29.5023.101.10

opening direction right

Stainless steel design	Chrome design
Art.no.	Art.no.
29.5023.201.12	29.5023.201.10



2 x 41.0501.090...
(= 30)

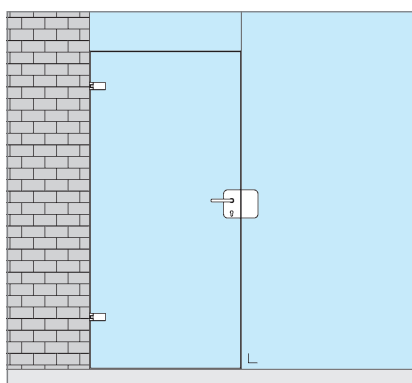
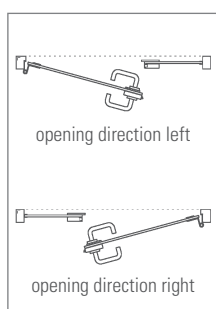
1 x 45.2910.003...
(= 104)



2 x 41.0501.090...
(= 30)

1 x 45.2920.003...
(= 104)

Wall / Glass



opening direction left

Stainless steel design	Chrome design
Art.no.	Art.no.
29.5023.102.12	29.5023.102.10

opening direction right

Stainless steel design	Chrome design
Art.no.	Art.no.
29.5023.202.12	29.5023.202.10



2 x 41.0501.090...
(= 30)

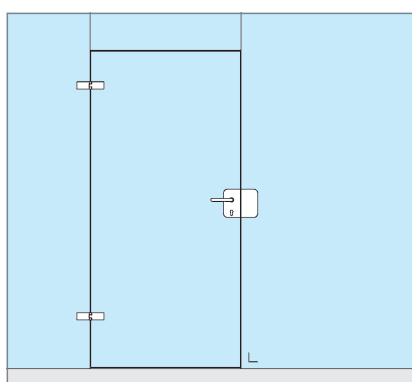
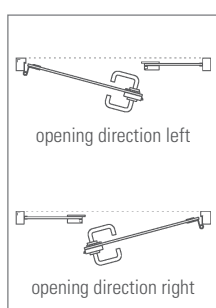
1 x 45.2910.006...
(= 105)



2 x 41.0501.090...
(= 30)

1 x 45.2920.006...
(= 105)

Glass / Glass



opening direction left

Stainless steel design	Chrome design
Art.no.	Art.no.
29.5023.103.12	29.5023.103.10

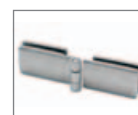
opening direction right

Stainless steel design	Chrome design
Art.no.	Art.no.
29.5023.203.12	29.5023.203.10



2 x 41.0502.180...
(= 30)

1 x 45.2910.006...
(= 105)



2 x 41.0502.180...
(= 30)

1 x 45.2920.006...
(= 105)

For further details visit: www.g-fittings.com

Door PZ - 5024



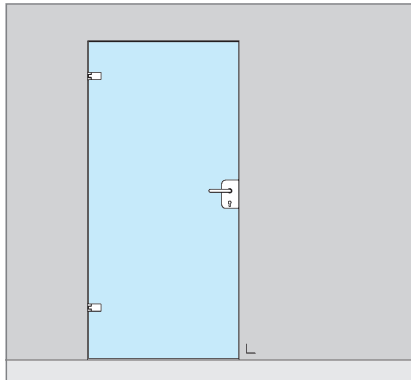
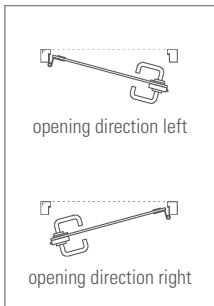
Stainless steel design / Chrome design

Door weight max. 50 kg
 Door height max. 2000 mm (glass 10 mm)
 Door width max. 1000 mm
 Glass 8 mm, 10 mm

INFO optional



Wall



opening direction left

Stainless steel design	Chrome design
Art.no.	Art.no.
29.5024.101.12	29.5024.101.10



2 x 41.0503.090...
(☐ 30)



1 x 45.2910.002...
(☐ 102)

opening direction right

Stainless steel design	Chrome design
Art.no.	Art.no.
29.5024.201.12	29.5024.201.10

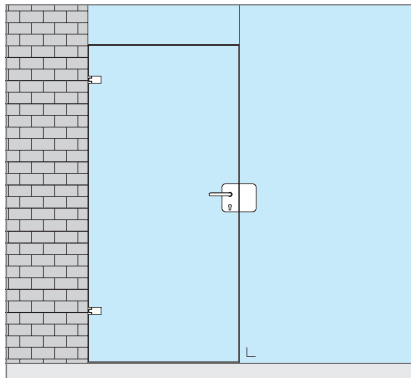
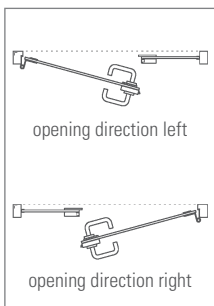


2 x 41.0503.090...
(☐ 30)



1 x 45.2920.002...
(☐ 102)

Wall / Glass



opening direction left

Stainless steel design	Chrome design
Art.no.	Art.no.
29.5024.102.12	29.5024.102.10



2 x 41.0503.090...
(☐ 30)



1 x 45.2910.005...
(☐ 103)

opening direction right

Stainless steel design	Chrome design
Art.no.	Art.no.
29.5024.202.12	29.5024.202.10

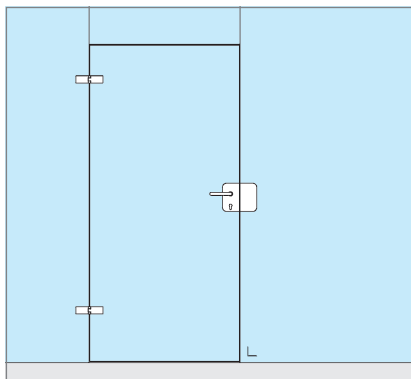
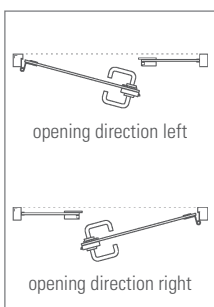


2 x 41.0503.090...
(☐ 30)



1 x 45.2920.005...
(☐ 103)

Glass / Glass



opening direction left

Stainless steel design	Chrome design
Art.no.	Art.no.
29.5024.103.12	29.5024.103.10



2 x 41.0502.180...
(☐ 30)



1 x 45.2910.005...
(☐ 103)

opening direction right

Stainless steel design	Chrome design
Art.no.	Art.no.
29.5024.203.12	29.5024.203.10



2 x 41.0502.180...
(☐ 30)



1 x 45.2920.005...
(☐ 103)

For further details visit: www.g-fittings.com

Door WC - 5025

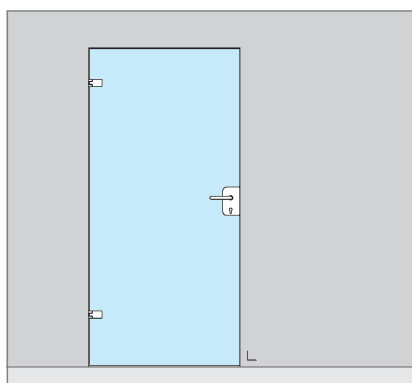
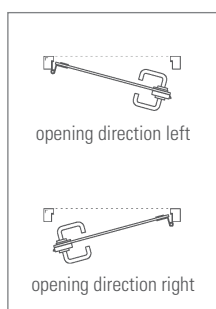


Stainless steel design / Chrome design

Door weight max. 50 kg
 Door height max. 2000 mm (glass 10 mm)
 Door width max. 1000 mm
 Glass 8 mm, 10 mm



Wall



opening direction left

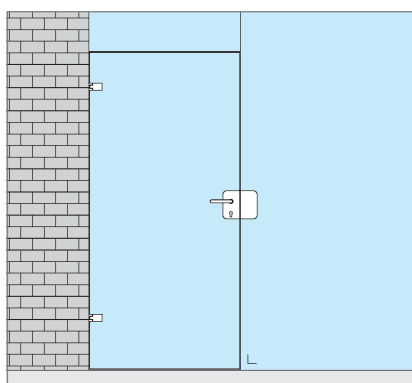
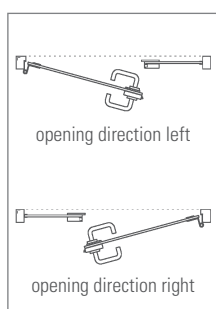
Stainless steel design	Chrome design
Art.no.	Art.no.
29.5025.101.12	29.5025.101.10

opening direction right

Stainless steel design	Chrome design
Art.no.	Art.no.
29.5025.201.12	29.5025.201.10



Wall / Glass



opening direction left

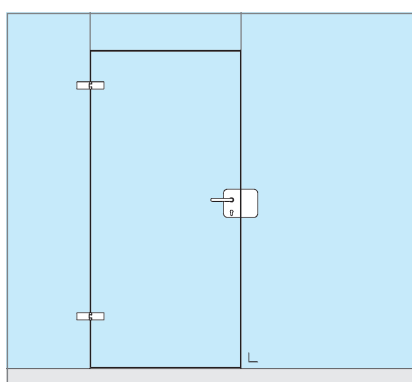
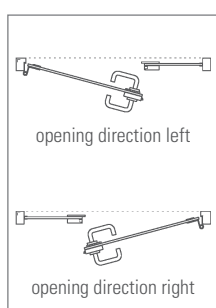
Stainless steel design	Chrome design
Art.no.	Art.no.
29.5025.102.12	29.5025.102.10

opening direction right

Stainless steel design	Chrome design
Art.no.	Art.no.
29.5025.202.12	29.5025.202.10



Glass / Glass

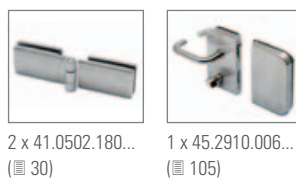


opening direction left

Stainless steel design	Chrome design
Art.no.	Art.no.
29.5025.103.12	29.5025.103.10

opening direction right

Stainless steel design	Chrome design
Art.no.	Art.no.
29.5025.203.12	29.5025.203.10



For further details visit: www.g-fittings.com

Door hinge - 201



glass/glass

Stainless steel design

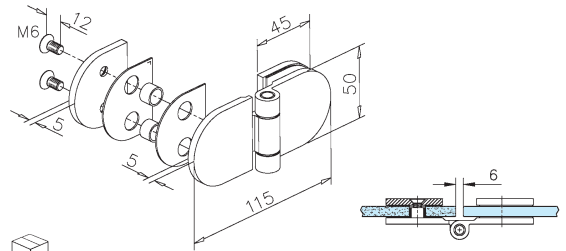
Art.no. 41.0201.000.12

Chrome design

Art.no. 41.0201.000.10

glass 6 - 10 mm

1



Door hinge - 202



glass/wall

Stainless steel design

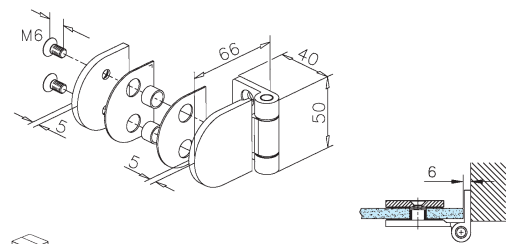
Art.no. 41.0202.000.12

Chrome design

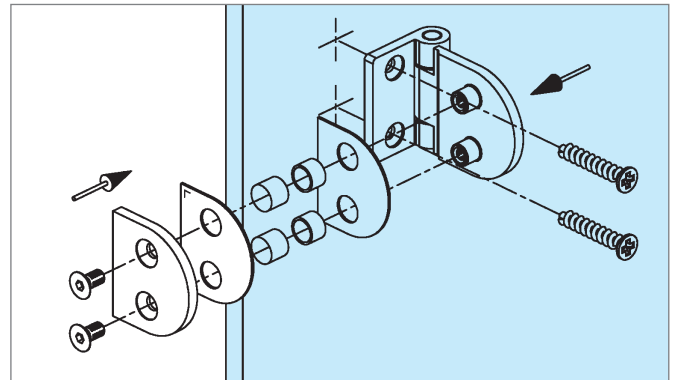
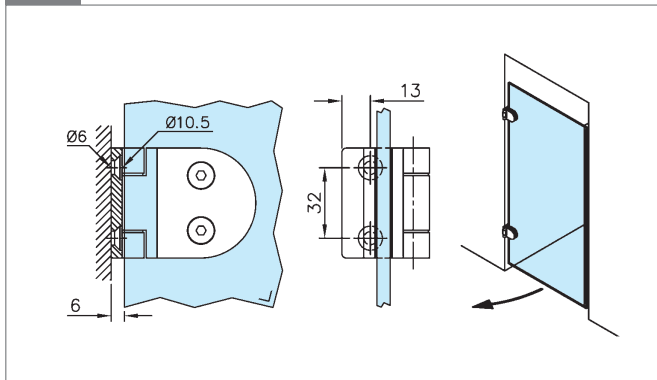
Art.no. 41.0202.000.10

glass 6 - 10 mm

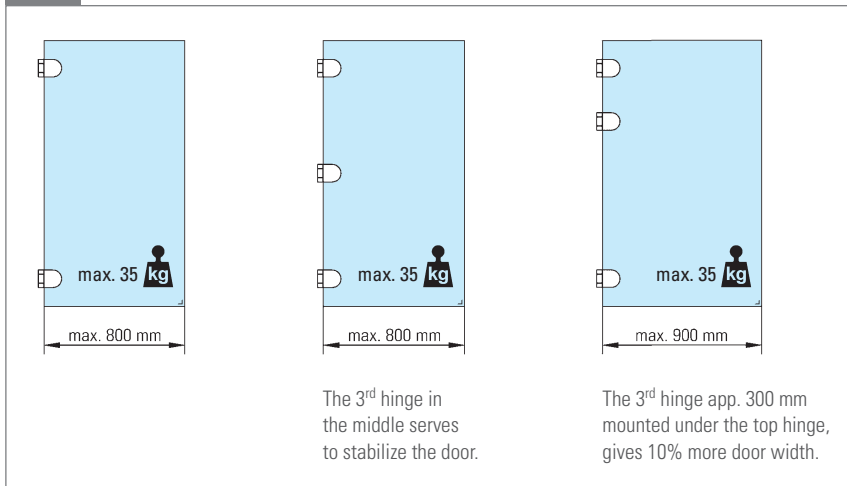
1



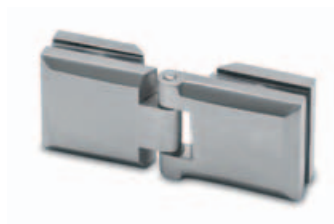
INFO 41.0202.000...



INFO



Door hinge - 301



glass/glass

Stainless steel design

Art.no.

41.0301.000.12

Chrome design

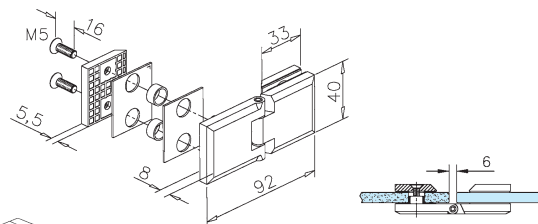
Art.no.

41.0301.000.10

glass

6 - 10 mm

1



Door hinge - 302



glass/wall

Stainless steel design

Art.no.

41.0302.000.12

Chrome design

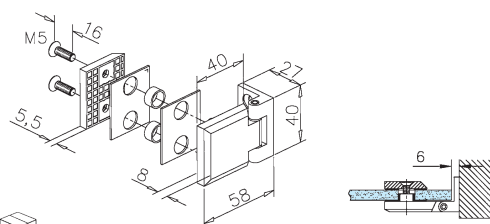
Art.no.

41.0302.000.10

glass

6 - 10 mm

1



Door hinge - 401



glass/glass

Stainless steel design

Art.no.

41.0401.000.12

Chrome design

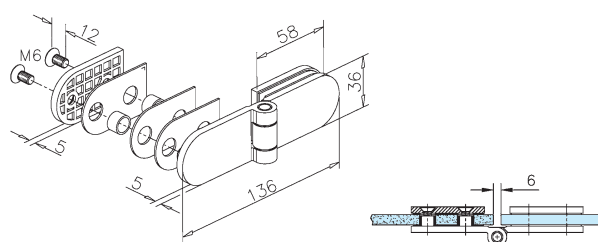
Art.no.

41.0401.000.10

glass

6 - 10 mm

1



Door hinge - 402



glass/wall

Stainless steel design

Art.no.

41.0402.000.12

Chrome design

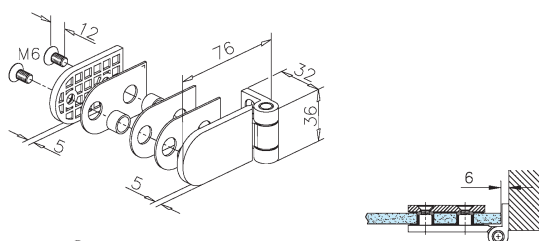
Art.no.

41.0402.000.10

glass

6 - 10 mm

1



Door hinge - 501



glass/wall

Stainless steel design

Art.no. 41.0501.090.12

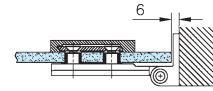
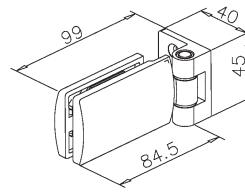
Chrome design

Art.no. 41.0501.090.10

glass

6 - 10 mm

2



Door hinge - 502



glass/glass

Stainless steel design

Art.no. 41.0502.180.12

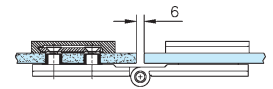
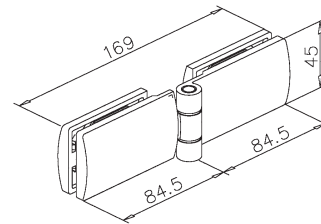
Chrome design

Art.no. 41.0502.180.10

glass

6 - 10 mm

1



Door hinge - 503



glass/wall

Stainless steel design

Art.no. 41.0503.090.12

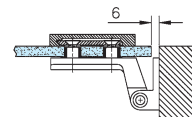
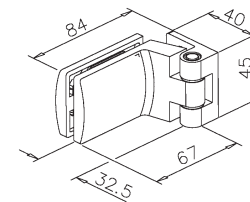
Chrome design


Art.no. 41.0503.090.10

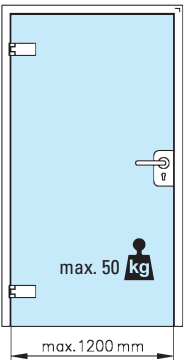
glass

6 - 10 mm

1



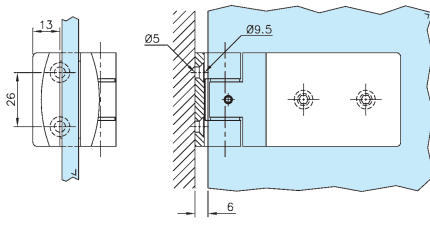
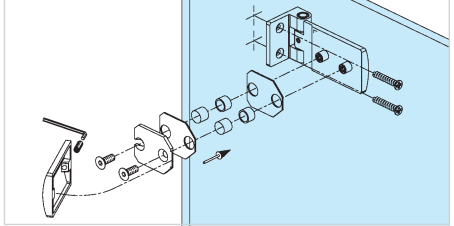
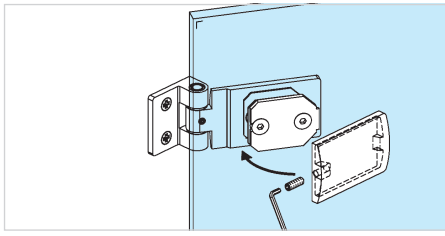
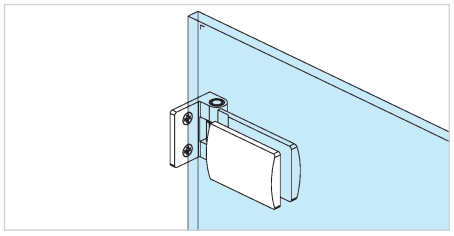
INFO 



max. 50 kg

max. 1200 mm

INFO 41.0501.090...

Door hinge - 2701

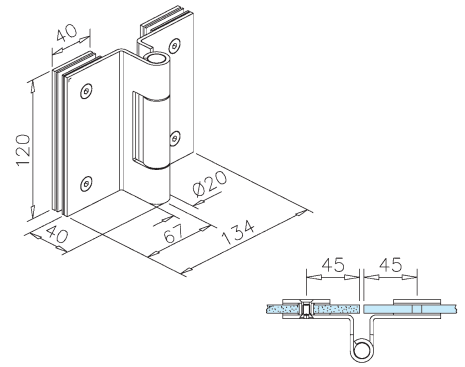


glass/glass

Stainless steel design

Chrome design

Art.no.	Art.no.	glass	
45.2701.000.12	45.2701.000.10	10 - 12 mm	2



Door hinge - 2702

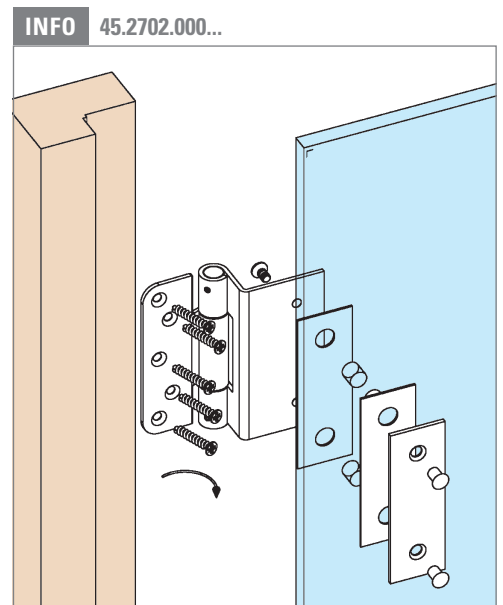
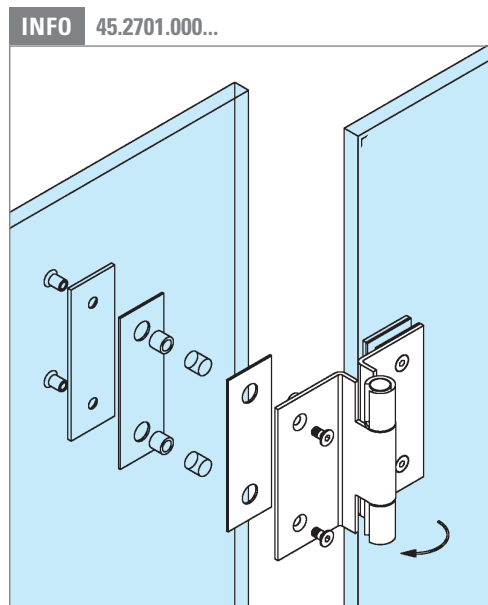
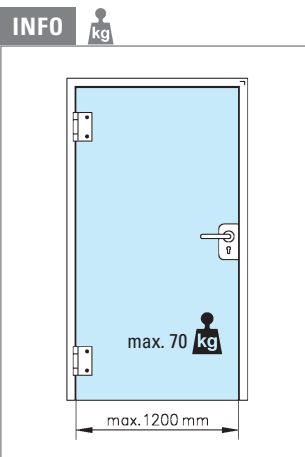
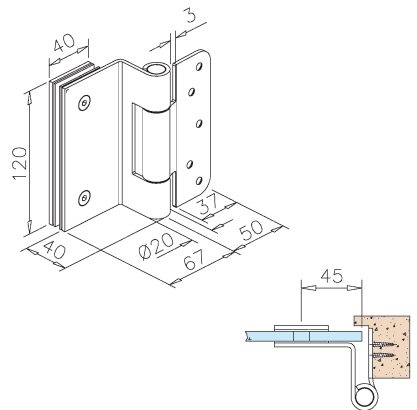


glass/wood

Stainless steel design


Chrome design

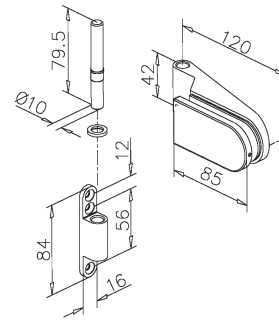
Art.no.	Art.no.	glass	
45.2702.000.12	45.2702.000.10	10 - 12 mm	2



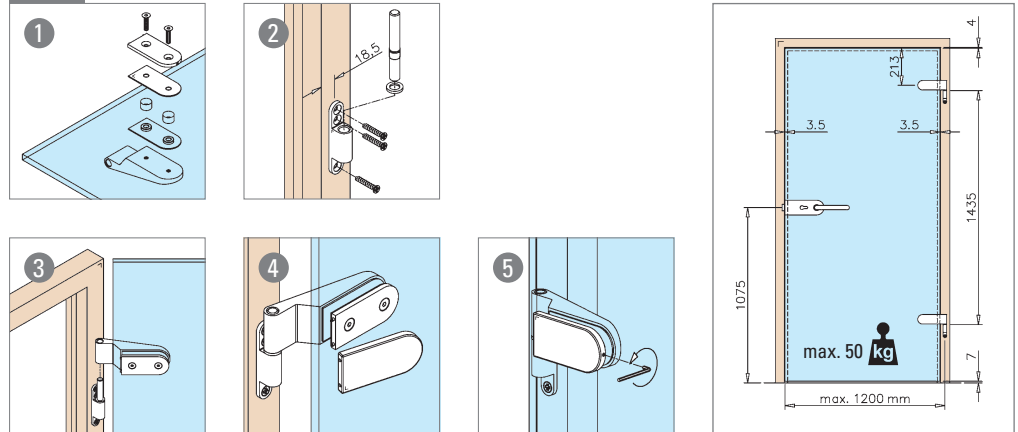
Door hinge - 2250



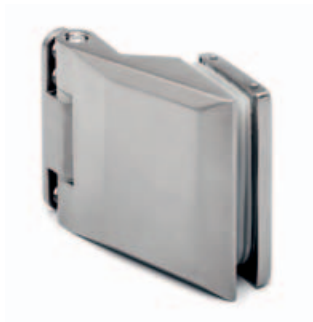
Stainless steel design	Chrome design		
Art.no.	Art.no.	glass	
45.2250.000.20	45.2250.000.23	8 - 10 mm	1



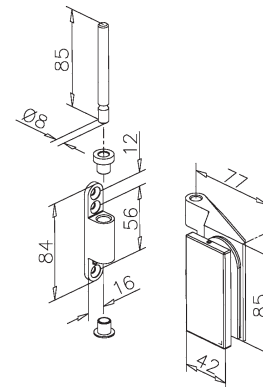
INFO 45.2250.000...



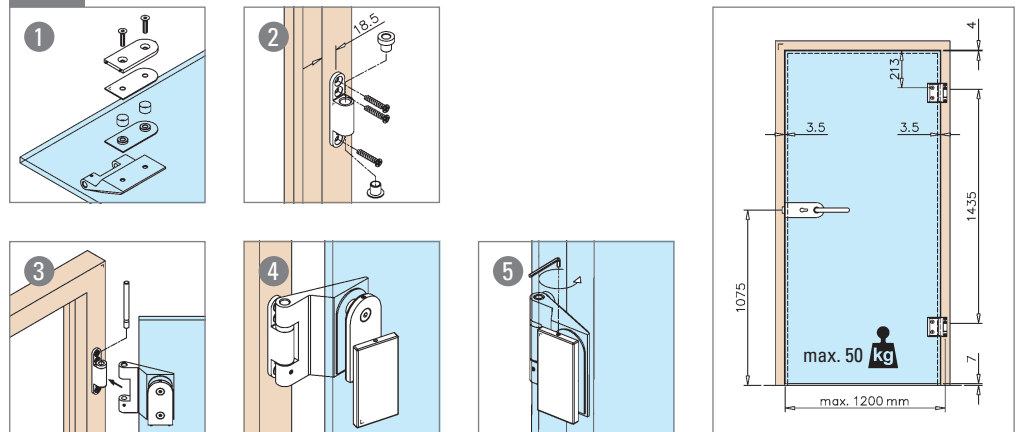
Door hinge - 2270



Stainless steel design	Chrome design		
Art.no.	Art.no.	glass	
45.2270.000.20	45.2270.000.23	8 - 10 mm	1




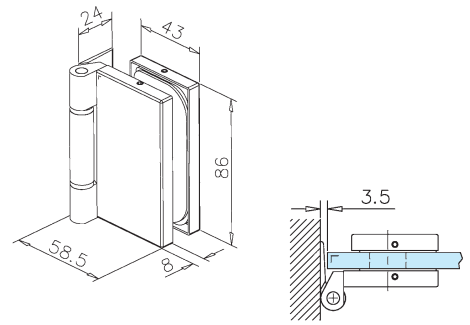
INFO 45.2270.000...



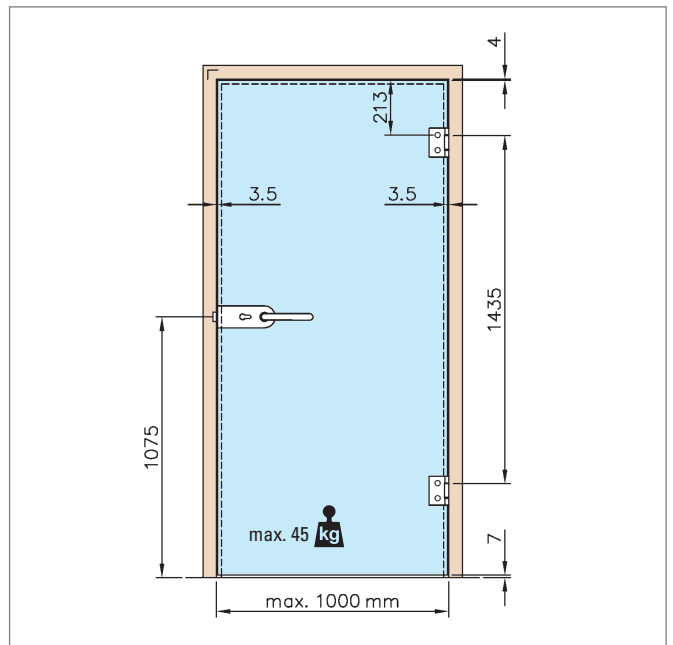
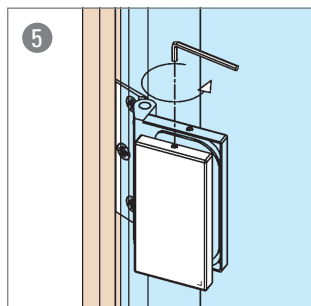
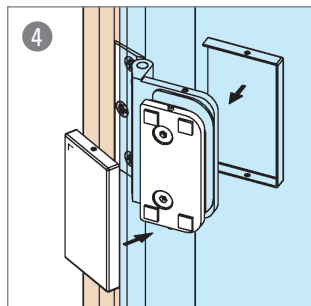
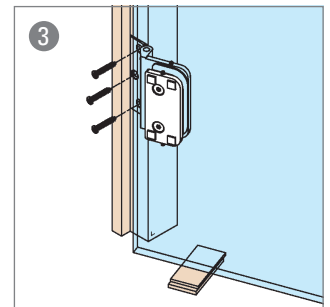
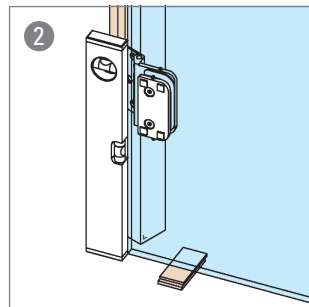
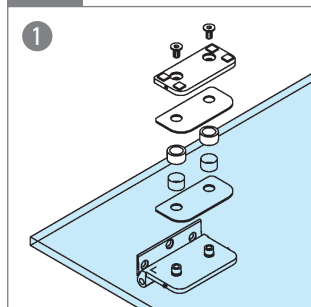
Door hinge - 2240



Stainless steel design	Chrome design		
Art.no.	Art.no.	glass	
45.2240.000.20	45.2240.000.23	8 - 10 mm	1



INFO 45.2240.000...




Door hinge - 281

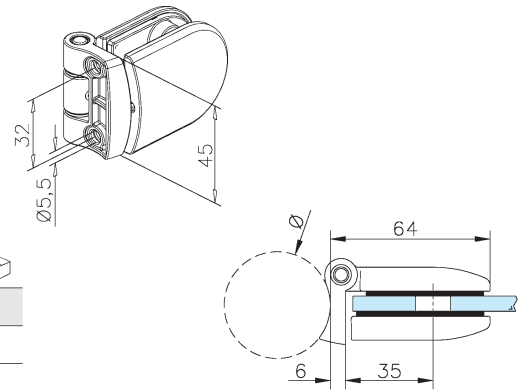
NEW



for tube

Stainless steel design

Art.no.	Ø	glass	
14.0281.038.12	38,1 - 42,4 mm	6 - 12,76 mm	2
14.0281.050.12	48,3 - 50,8 mm	6 - 12,76 mm	2




Door hinge - 281 / 500

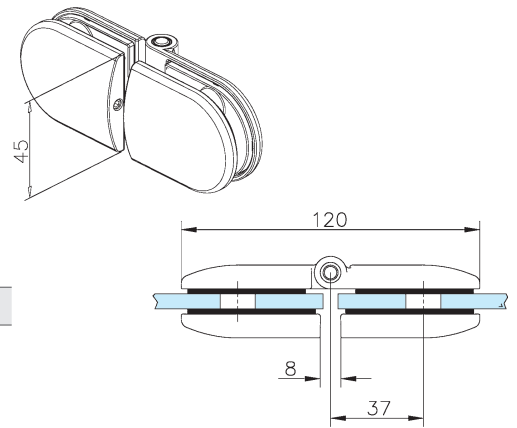
NEW



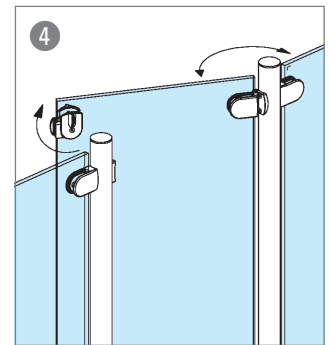
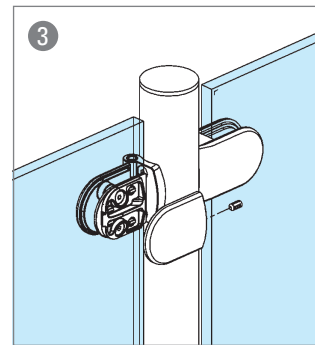
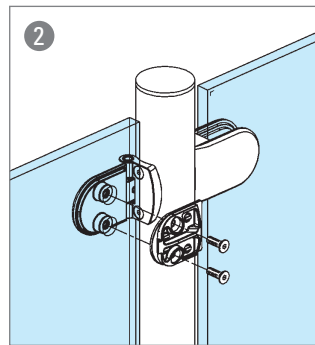
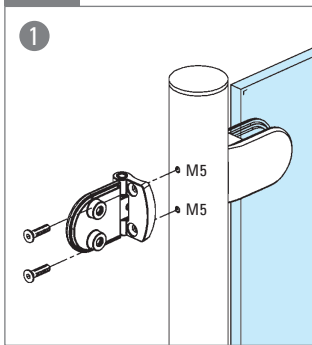
glass/glass

Stainless steel design

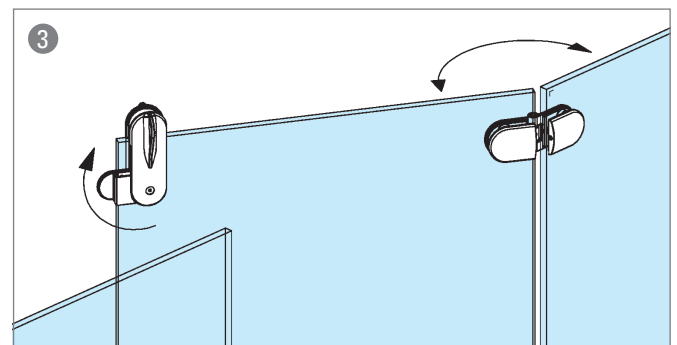
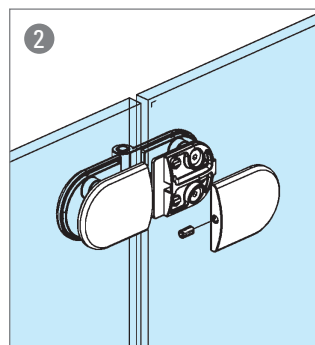
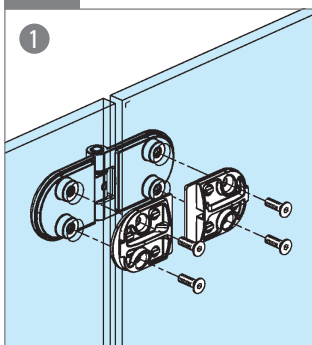
Art.no.	glass	
14.0281.500.12	6 - 12,76 mm	2



INFO 14.0281...



INFO 14.0281.500.12



Door lock - 282

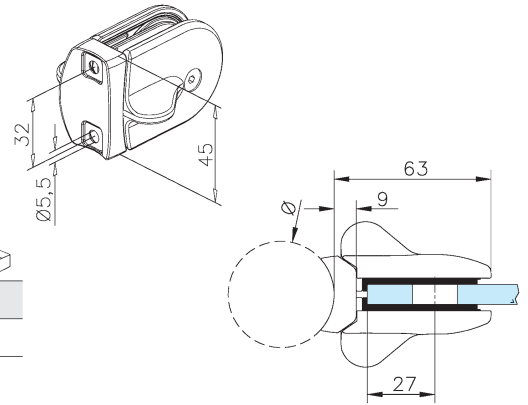
NEW



for tube

Stainless steel design

Art.no.	Ø	glass	
14.0282.038.12	38,1 - 42,4 mm	6 - 12,76 mm	1
14.0282.050.12	48,3 - 50,8 mm	6 - 12,76 mm	1



Door lock - 282 / 500

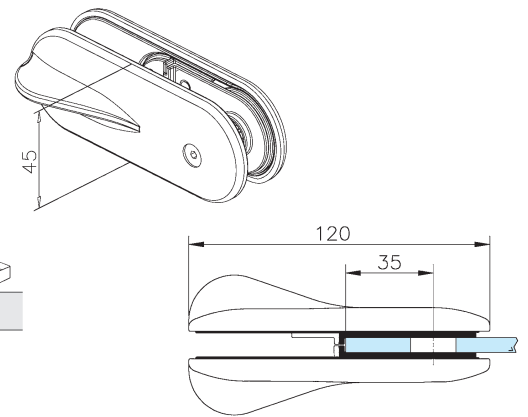
NEW



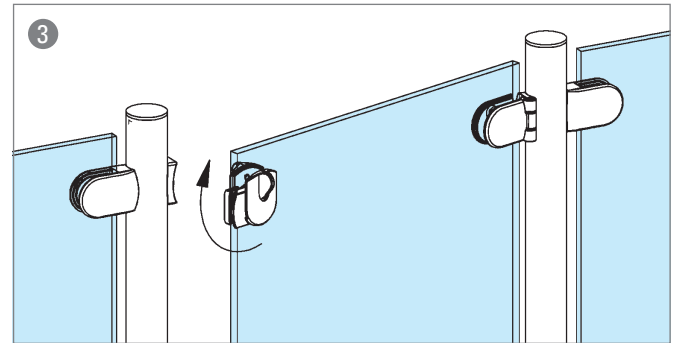
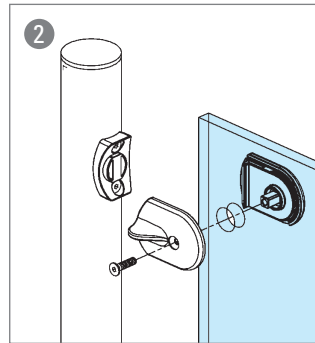
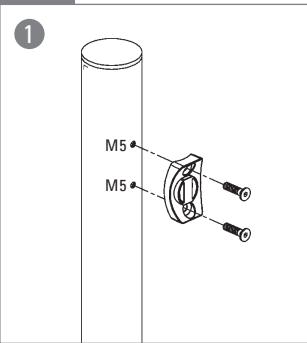
glass/glass

Stainless steel design

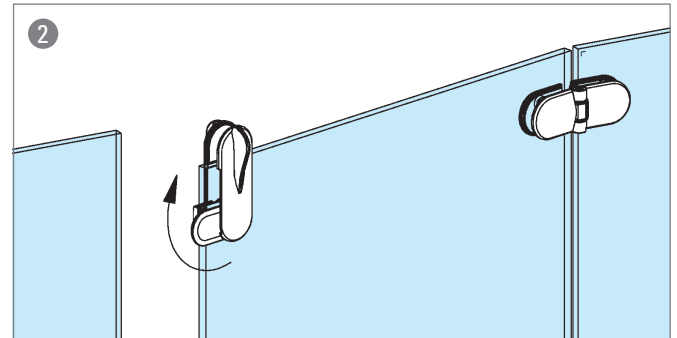
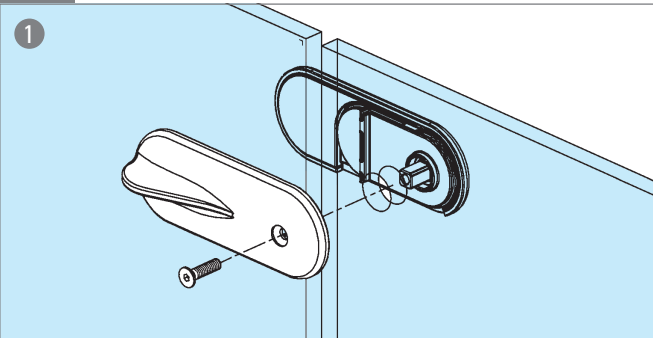
Art.no.	glass	
14.0282.500.12	6 - 12,76 mm	1



INFO 14.0282...



INFO 14.0282.500.12



Sliding door - 100



Silver matt anodized

Door weight max. 80 kg
 Door height max. 2240 mm (glass 12 mm)
 Door width max. 1190 mm
 Glass 8 / 8,7 / 10 / 10,7 / 12 mm

selfclosing



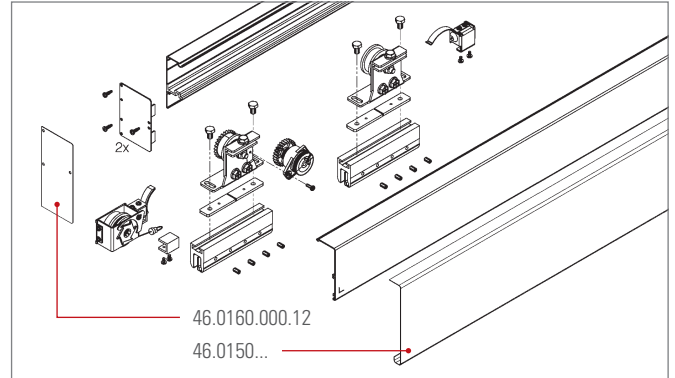
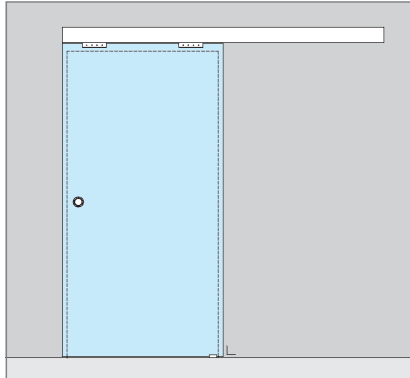
INFO optional



▣ 90 - ▣ 99

Wall

L	Art.no.
2000 mm	46.0100.000.46
2500 mm	46.0250.000.46



incl.
1 x 46.6108.000.12 (▣ 53)



incl.
1 x 47.0103.065.12 (▣ 98)

For further details visit: www.g-fittings.com

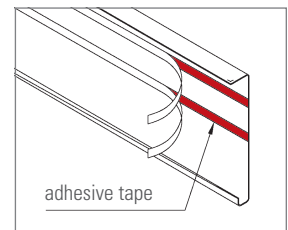
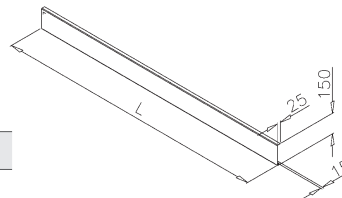
INFO optional

Cover profile

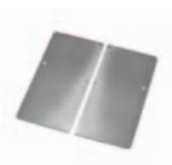


Stainless steel design

Art.no.	L
46.0150.200.12	2000 mm
46.0150.250.12	2500 mm

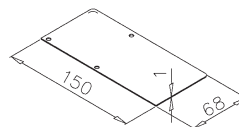


End caps (pair)

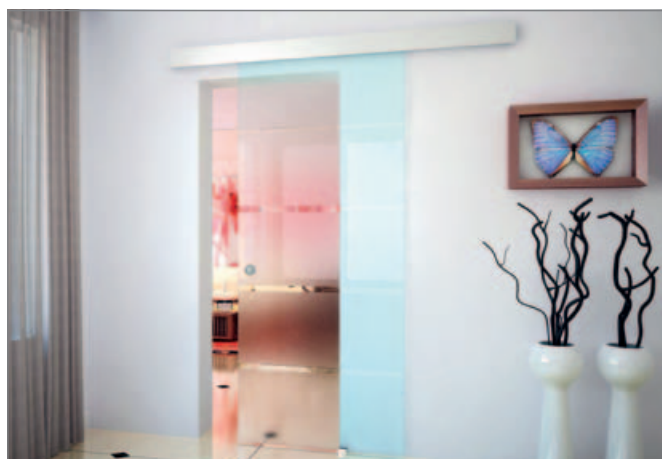


Stainless steel design

Art.no.
46.0160.000.12



Sliding door - 300



Silver matt anodized

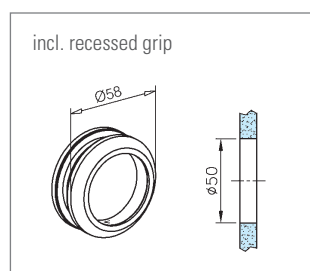
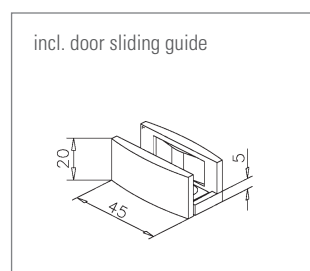
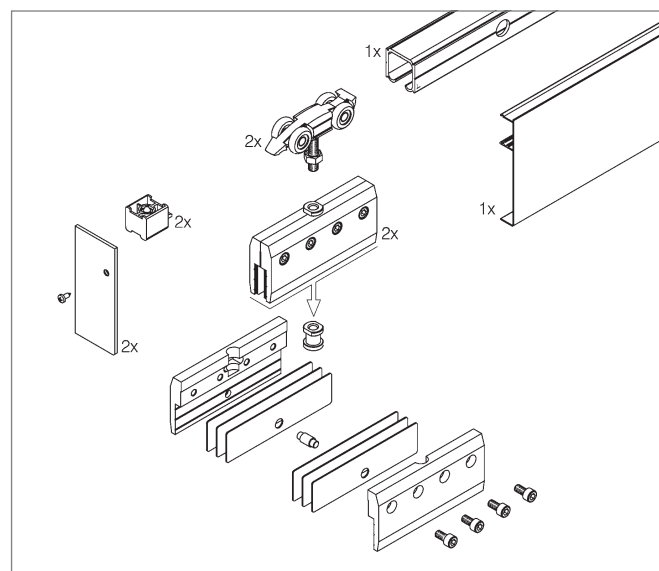
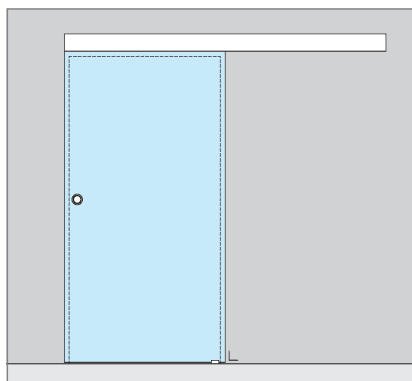
Door weight max. 100 kg
 Door height max. 2500 mm (glass 12 mm)
 Door width max. 920 mm
 Glass 8 / 8,7 / 10 / 10,7 / 12 mm



90 - 99

Wall

L	Art.no.
2000 mm	46.0300.000.46



For further details visit: www.g-fittings.com

Sliding door - 310



Silver matt anodized

Door weight max. 100 kg
 Door height max. 2500 mm (glass 12 mm)
 Door width max. 920 mm
 Glass 8 / 8,7 / 10 / 10,7 / 12 mm



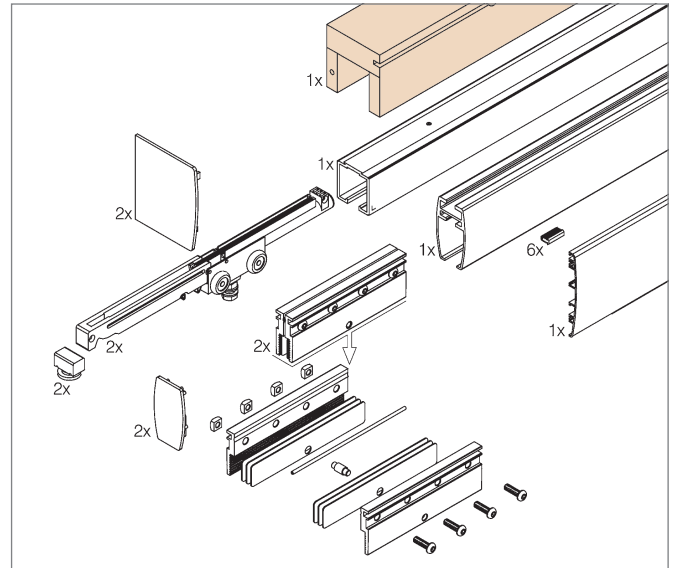
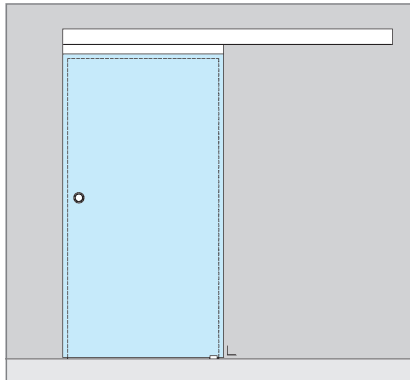
INFO optional



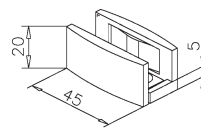
90 - 99

Wall

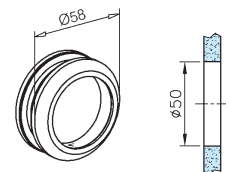
L	Art.no.
2000 mm	46.0310.000.46



incl. door sliding guide

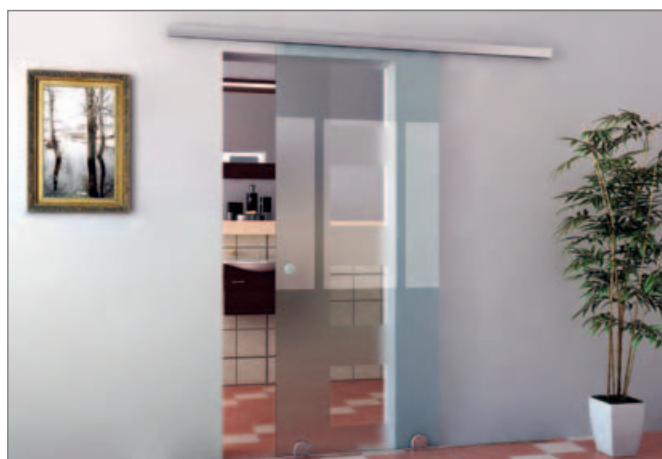


incl. recessed grip



For further details visit: www.g-fittings.com

Sliding door - 320



Satin stainless steel

Door weight max. 100 kg
 Door height max. 2500 mm (glass 12 mm)
 Door width max. 920 mm
 Glass 8 / 8,7 / 10 / 10,7 / 12 mm

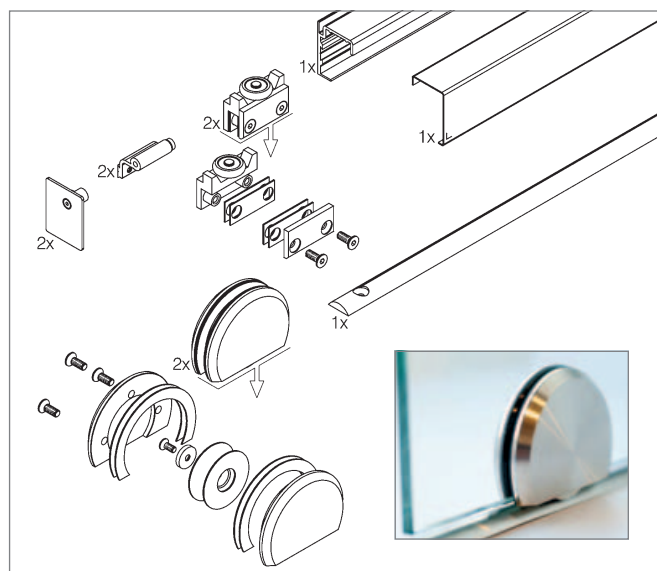
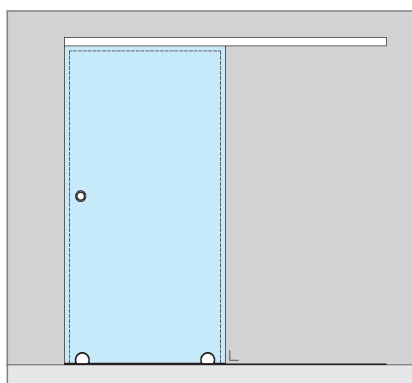
INFO optional



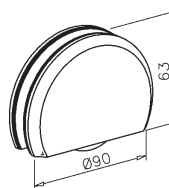
■ 90 - ■ 99

Wall

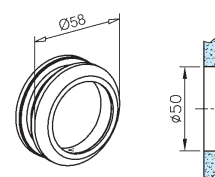
L	Art.no.
2000 mm	46.0320.000.12



incl. door sliding guide



incl. recessed grip



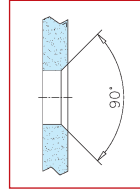
For further details visit: www.g-fittings.com

Sliding door - 5030



Stainless steel design

Door weight max. 100 kg
 Door height max. 2500 mm (glass 12 mm)
 Door width max. 1200 mm
 Glass 8, 10, 12 mm



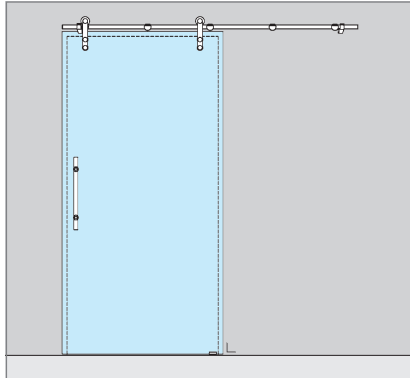
INFO optional



▣ 90 - ▣ 99

Wall

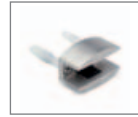
L	Art.no.
2500 mm	29.5030.251.12



2 x 46.6101.000.12
(▣ 48)



1 x 46.6122.000.12
(▣ 52)



1 x 46.6109.000.12
(▣ 53)



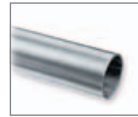
2 x 11.0732.025.20
(▣ 288)



5 x 46.6111.000.12
(▣ 51)



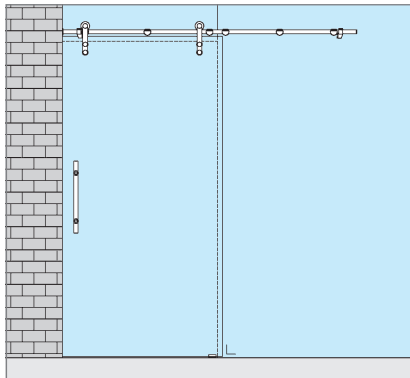
1 x 46.6123.000.12
(▣ 52)



1 x 12.8925.025.12
(▣ 257)

Wall / Glass

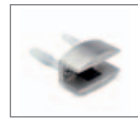
L	Art.no.
2500 mm	29.5030.252.12



2 x 46.6101.000.12
(▣ 48)



1 x 46.6122.000.12
(▣ 52)



1 x 46.6109.000.12
(▣ 53)



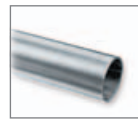
1 x 11.0732.025.20
(▣ 288)



6 x 46.6110.000.12
(▣ 51)



1 x 46.6123.000.12
(▣ 52)



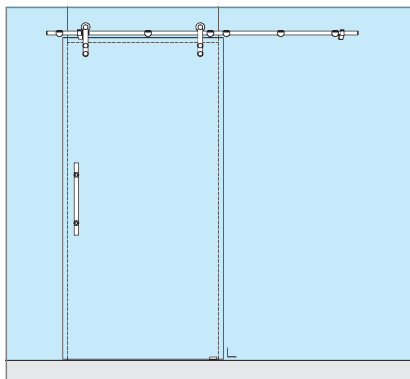
1 x 12.8925.025.12
(▣ 257)



1 x 11.0500.025.20
(▣ 280)

Glass / Glass

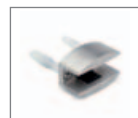
L	Art.no.
2500 mm	29.5030.253.12



2 x 46.6101.000.12
(▣ 48)



1 x 46.6122.000.12
(▣ 52)



1 x 46.6109.000.12
(▣ 53)



2 x 11.0732.025.20
(▣ 288)



7 x 46.6110.000.12
(▣ 51)



1 x 46.6123.000.12
(▣ 52)



1 x 12.8925.025.12
(▣ 257)

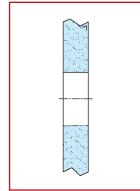
For further details visit: www.g-fittings.com

Sliding door - 5031



Stainless steel design

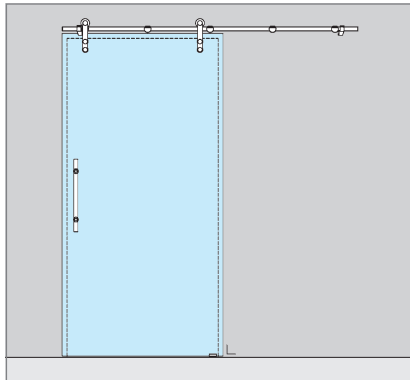
Door weight max. 100 kg
 Door height max. 2500 mm (glass 12 mm)
 Door width max. 1200 mm
 Glass 8 / 8,7 / 10 / 10,7 / 12 mm



▣ 90 - ▣ 99

Wall

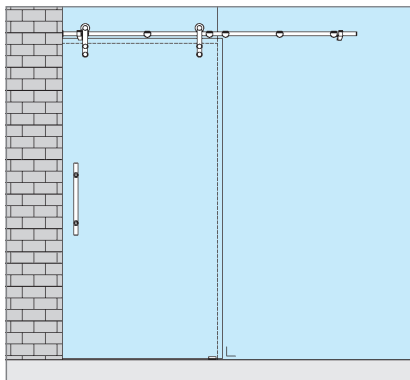
L	Art.no.
2500 mm	29.5031.251.12



 2 x 46.6106.000.12 (▣ 49)	 1 x 46.6122.000.12 (▣ 52)	 1 x 46.6109.000.12 (▣ 53)	 2 x 11.0732.025.20 (▣ 288)
 5 x 46.6111.000.12 (▣ 51)	 1 x 46.6123.000.12 (▣ 52)	 1 x 12.8925.025.12 (▣ 257)	

Wall / Glass

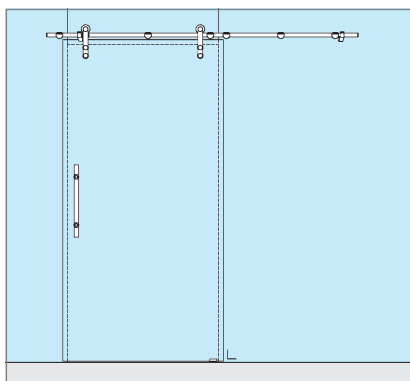
L	Art.no.
2500 mm	29.5031.252.12



 2 x 46.6106.000.12 (▣ 49)	 1 x 46.6122.000.12 (▣ 52)	 1 x 46.6109.000.12 (▣ 53)	 1 x 11.0732.025.20 (▣ 288)
 6 x 46.6114.000.12 (▣ 51)	 1 x 46.6123.000.12 (▣ 52)	 1 x 12.8925.025.12 (▣ 257)	 1 x 11.0500.025.20 (▣ 280)

Glass / Glass

L	Art.no.
2500 mm	29.5031.253.12



 2 x 46.6106.000.12 (▣ 49)	 1 x 46.6122.000.12 (▣ 52)	 1 x 46.6109.000.12 (▣ 53)	 2 x 11.0732.025.20 (▣ 288)
 7 x 46.6114.000.12 (▣ 51)	 1 x 46.6123.000.12 (▣ 52)	 1 x 12.8925.025.12 (▣ 257)	

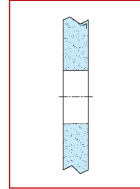
For further details visit: www.g-fittings.com

Sliding door - 5032



Stainless steel design

Door weight max. 100 kg
 Door height max. 2500 mm (glass 10 mm)
 Door width max. 1200 mm
 Glass 8 / 8,7 / 10 mm



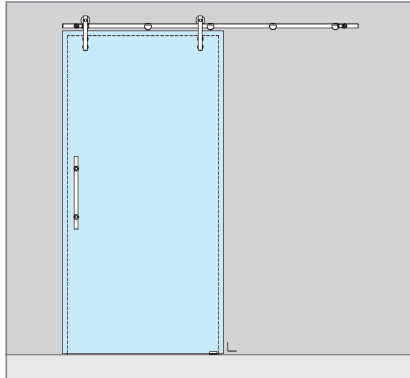
INFO optional



▣ 90 - ▣ 99

Wall

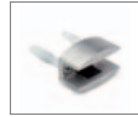
L	Art.no.
2500 mm	29.5032.251.12



2 x 46.6107.000.12
 (▣ 49)



2 x 46.6124.000.12
 (▣ 52)



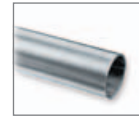
1 x 46.6109.000.12
 (▣ 53)



2 x 11.0732.025.20
 (▣ 288)



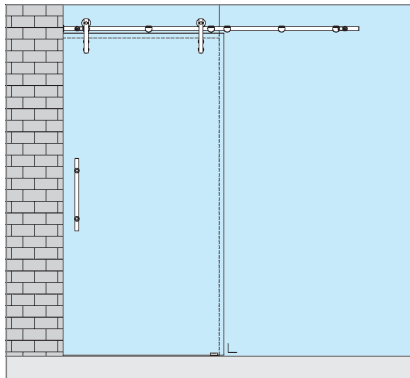
5 x 46.6111.000.12
 (▣ 51)



1 x 12.8925.025.12
 (▣ 257)

Wall / Glass

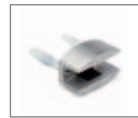
L	Art.no.
2500 mm	29.5032.252.12



2 x 46.6107.000.12
 (▣ 49)



2 x 46.6124.000.12
 (▣ 52)



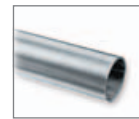
1 x 46.6109.000.12
 (▣ 53)



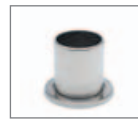
1 x 11.0732.025.20
 (▣ 288)



6 x 46.6114.000.12
 (▣ 51)



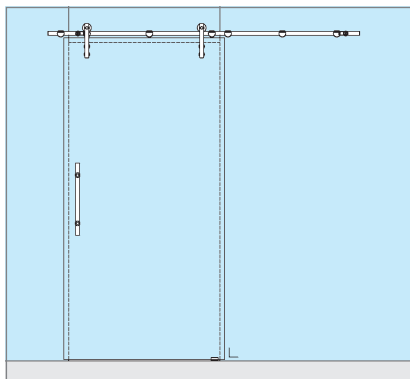
1 x 12.8925.025.12
 (▣ 257)



1 x 11.0500.025.20
 (▣ 280)

Glass / Glass

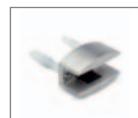
L	Art.no.
2500 mm	29.5032.253.12



2 x 46.6107.000.12
 (▣ 49)



2 x 46.6124.000.12
 (▣ 52)



1 x 46.6109.000.12
 (▣ 53)



2 x 11.0732.025.20
 (▣ 288)



7 x 46.6114.000.12
 (▣ 51)



1 x 12.8925.025.12
 (▣ 257)

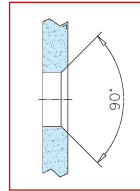
For further details visit: www.g-fittings.com

Sliding door - 5033

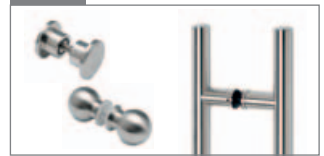


Stainless steel design

Door weight max. 100 kg
 Door height max. 2500 mm (glass 12 mm)
 Door width max. 1200 mm
 Glass 8, 10, 12 mm



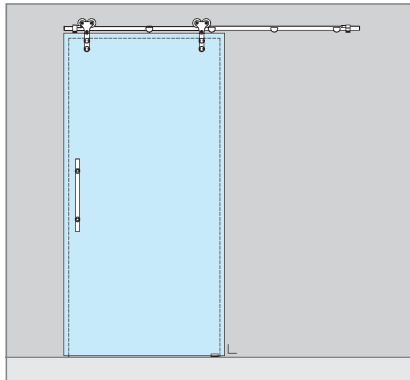
INFO optional



▣ 90 - ▣ 99

Wall

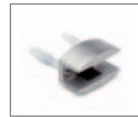
L	Art.no.
2500 mm	29.5033.251.12



2 x 46.6103.000.12
 (▣ 49)



1 x 46.6120.000.12
 (▣ 52)



1 x 46.6109.000.12
 (▣ 53)



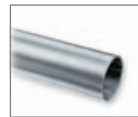
2 x 11.0732.025.20
 (▣ 288)



5 x 46.6111.000.12
 (▣ 51)



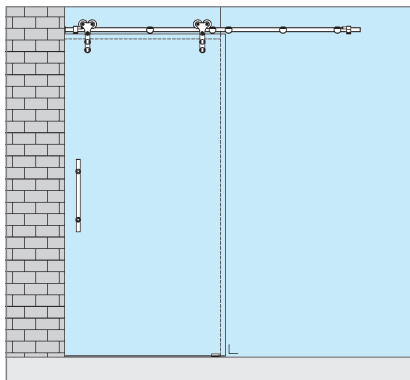
1 x 46.6121.000.12
 (▣ 52)



1 x 12.8925.025.12
 (▣ 257)

Wall / Glass

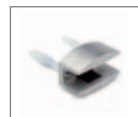
L	Art.no.
2500 mm	29.5033.252.12



2 x 46.6103.000.12
 (▣ 49)



1 x 46.6120.000.12
 (▣ 52)



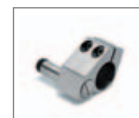
1 x 46.6109.000.12
 (▣ 53)



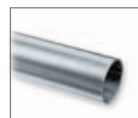
1 x 11.0732.025.20
 (▣ 288)



6 x 46.6110.000.12
 (▣ 51)



1 x 46.6121.000.12
 (▣ 52)



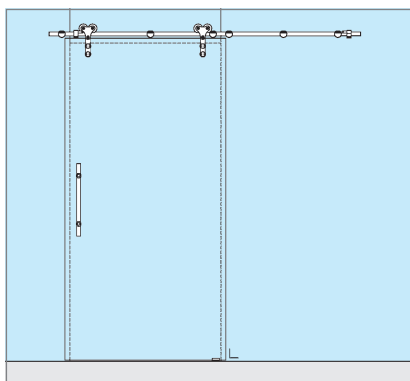
1 x 12.8925.025.12
 (▣ 257)



1 x 11.0500.025.20
 (▣ 280)

Glass / Glass

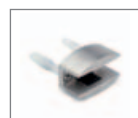
L	Art.no.
2500 mm	29.5033.253.12



2 x 46.6103.000.12
 (▣ 49)



1 x 46.6120.000.12
 (▣ 52)



1 x 46.6109.000.12
 (▣ 53)



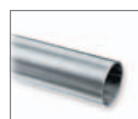
2 x 11.0732.025.20
 (▣ 288)



7 x 46.6110.000.12
 (▣ 51)



1 x 46.6121.000.12
 (▣ 52)



1 x 12.8925.025.12
 (▣ 257)

For further details visit: www.g-fittings.com


Sliding door SYNCHRO - 5034



Matt anodized


Door weight max. 100 kg
 Door height max. 2700 mm (glass 12,7 mm)
 Door width max. 1600 mm
 Glass 8 / 8,7 / 10 / 10,7 / 12 / 12,7 mm

INFO optional



▮ 83

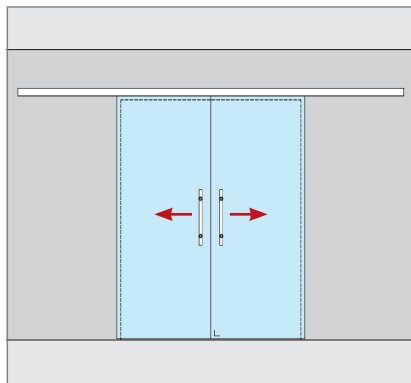
INFO optional

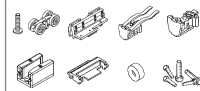
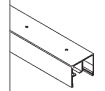
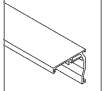

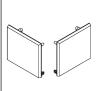
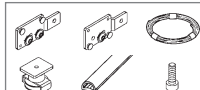
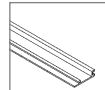
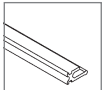


▮ 90 - ▮ 99

Wall

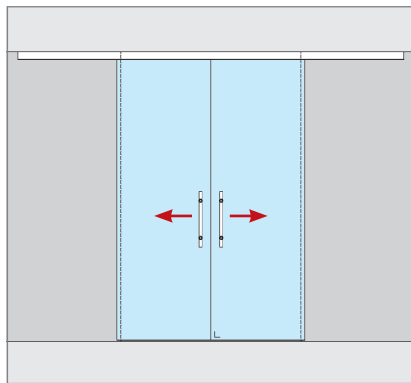
L	Art.no.
5000 mm	29.5034.501.46

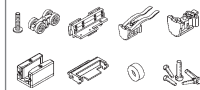
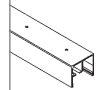
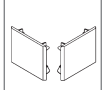
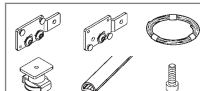
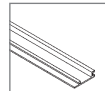
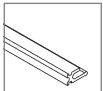


				
2 x 46.1100.000.46 (▮ 78)	1 x 46.1110.500.46 (▮ 79)	2 x 46.1130.250.46 (▮ 79)	1 x 46.1190.000.00 (▮ 79)	1 x 46.1185.000.46 (▮ 79)
				
1 x 46.1200.000.00 (▮ 82)	1 x 46.1140.500.46 (▮ 79)	1 x 46.1170.020.00 (▮ 79)		

Ceiling

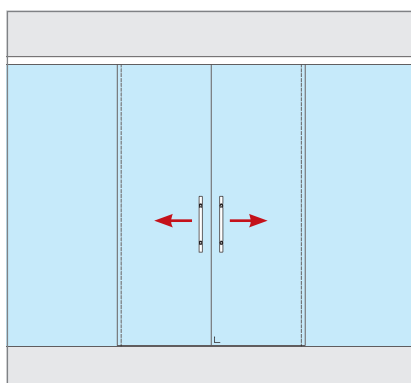
L	Art.no.
5000 mm	29.5034.502.46

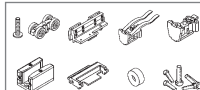
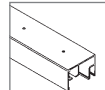
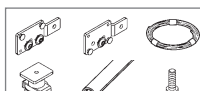
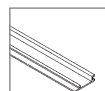
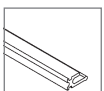
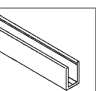
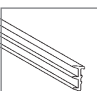


		
2 x 46.1100.000.46 (▮ 78)	1 x 46.1110.500.46 (▮ 79)	1 x 46.1180.000.46 (▮ 79)
		
1 x 46.1200.000.00 (▮ 82)	1 x 46.1140.500.46 (▮ 79)	1 x 46.1170.020.00 (▮ 79)

Glass / Glass

L	Art.no.
5000 mm	29.5034.503.46



				
2 x 46.1100.000.46 (▮ 78)	1 x 46.1120.500.46 (▮ 81)			
				
1 x 46.1200.000.00 (▮ 82)	1 x 46.1140.500.46 (▮ 79)	1 x 46.1170.020.00 (▮ 79)	1 x 46.1151.500.46 (▮ 81)	1 x 46.1160.020.00 (▮ 81)

For further details visit: www.g-fittings.com

1

Sliding door - 5035



Matt anodized

Door weight max. 100 kg
 Door height max. 2700 mm (glass 12,7 mm)
 Door width max. 1600 mm
 Glass 8 / 8,7 / 10 / 10,7 / 12 / 12,7 mm



INFO optional

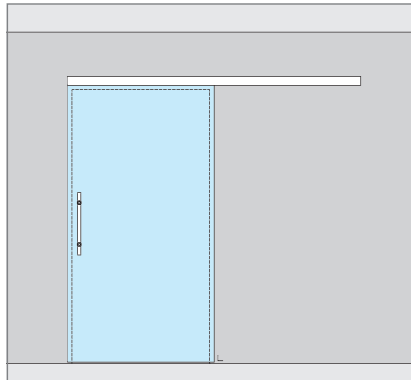
83

INFO optional

90 - 99

Wall

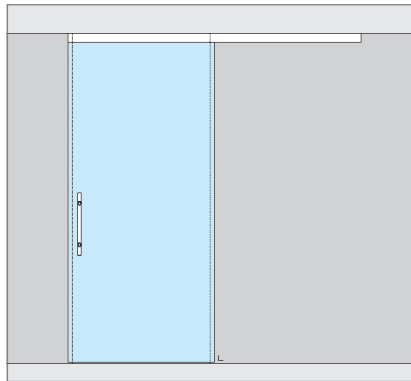
L	Art.no.
5000 mm	29.5035.501.46
2500 mm	29.5035.251.46



1 x 46.1100.000.46 (83)	1 x 46.1110... (79)	2 x (2,5 m: 1 x) 46.1130.250.46 (79)	1 x 46.1190.000.00 (79)	1 x 46.1185.000.46 (79)
	1 x 46.1140... (79)	1 x 46.1170.020.00 (79)		

Ceiling

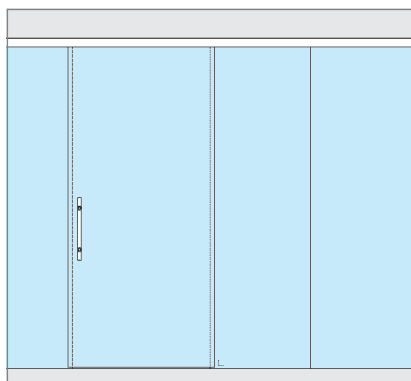
L	Art.no.
5000 mm	29.5035.502.46
2500 mm	29.5035.252.46



1 x 46.1100.000.46 (78)	1 x 46.1110... (79)	1 x 46.1180.000.46 (79)
	1 x 46.1140... (79)	1 x 46.1170.020.00 (79)

Glass / Glass

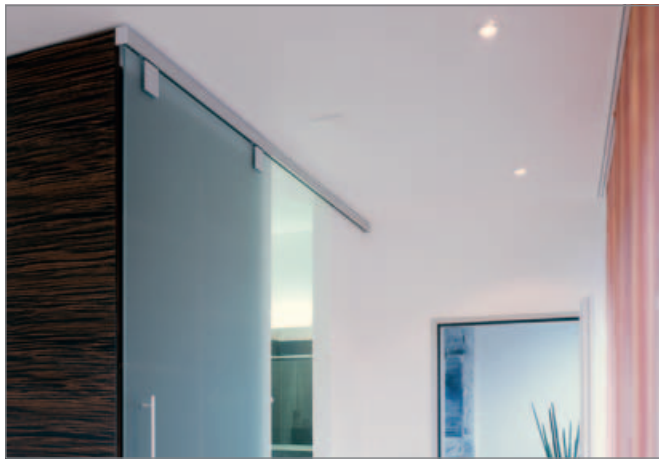
L	Art.no.
5000 mm	29.5035.503.46
2500 mm	29.5035.253.46



1 x 46.1100.000.46 (78)	1 x 46.1120... (81)		
	1 x 46.1140... (79)	1 x 46.1170.020.00 (79)	1 x 46.1151... (81)
			1 x 46.1160.020.00 (81)

For further details visit: www.g-fittings.com

Sliding door - 5036



Stainless steel effect / Matt anodized

Door weight max. 80 kg
 Door height max. 2400 mm (glass 12,7 mm)
 Door width max. 1100 mm
 Glass 8 / 8,7 / 10 / 10,7 / 12 / 12,7 mm

INFO optional



▣ 84

INFO optional



▣ 90 - ▣ 99

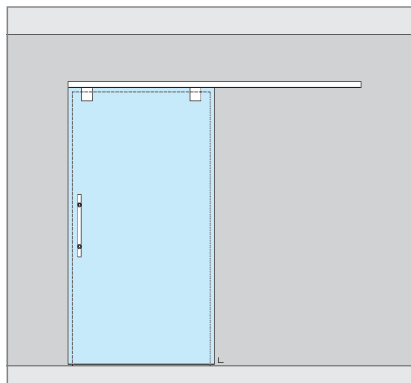
Wall

stainless steel effect

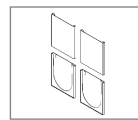
L	Art.no.
5000 mm	29.5036.501.19
2500 mm	29.5036.251.19

matt anodized

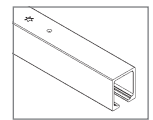
L	Art.no.
5000 mm	29.5036.501.46
2500 mm	29.5036.251.46



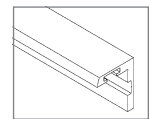
1 x 46.1400.000.00
 (▣ 84)



1 x 46.1410.000...
 (▣ 85)



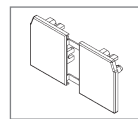
1 x 46.1420...
 (▣ 85)



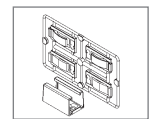
1 x 46.1460...
 (▣ 85)



1 x 46.1470.000.00
 (▣ 85)



1 x 46.1480.000.36
 (▣ 85)



1 x 46.1440.000...
 (▣ 85)

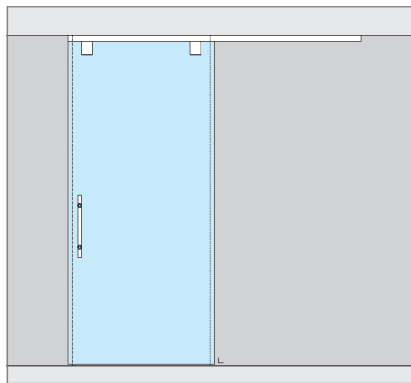
Ceiling

stainless steel effect

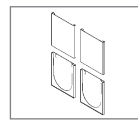
L	Art.no.
5000 mm	29.5036.502.19
2500 mm	29.5036.252.19

matt anodized

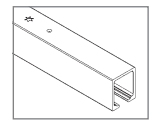
L	Art.no.
5000 mm	29.5036.502.46
2500 mm	29.5036.252.46



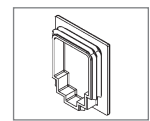
1 x 46.1400.000.00
 (▣ 84)



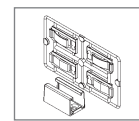
1 x 46.1410.000...
 (▣ 85)



1 x 46.1420...
 (▣ 85)



2 x 46.1430.000.36
 (▣ 85)



1 x 46.1440.000...
 (▣ 85)

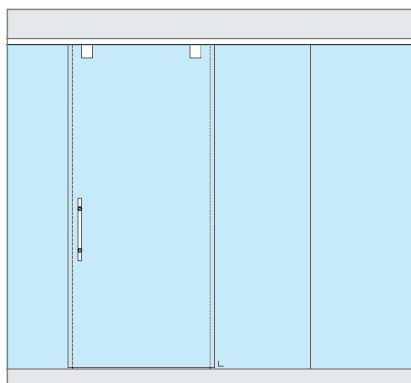
Glass / Glass

stainless steel effect

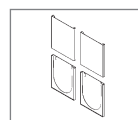
L	Art.no.
5000 mm	29.5036.503.19
2500 mm	29.5036.253.19

matt anodized

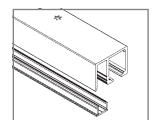
L	Art.no.
5000 mm	29.5036.503.46
2500 mm	29.5036.253.46



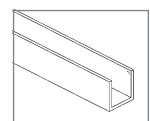
1 x 46.1400.000.00
 (▣ 84)



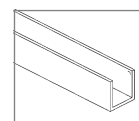
1 x 46.1410.000...
 (▣ 85)



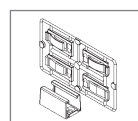
1 x 46.1450...
 (▣ 85)



L 5000 mm:
 1 x 49.0900.202...
 (▣ 85)



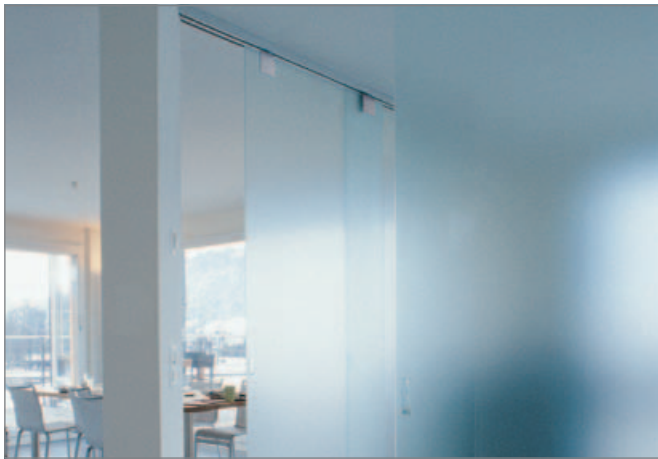
L 2500 mm:
 1 x 49.8925.202...
 (▣ 85)



1 x 46.1440.000...
 (▣ 85)

For further details visit: www.g-fittings.com

Sliding door - 5037



Matt anodized

Door weight max. 120 kg
 Door height max. 2700 mm (glass 12,7 mm)
 Door width max. 1600 mm
 Glass 8 / 8,7 / 10 / 10,7 / 12 / 12,7 mm

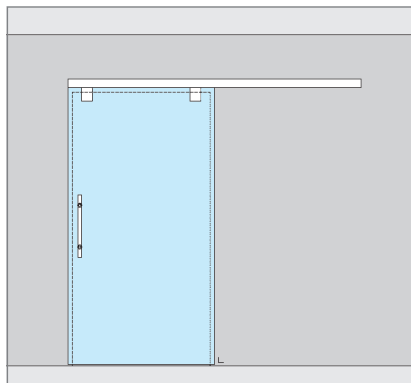
INFO optional



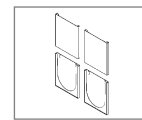
▣ 90 - ▣ 99

Wall

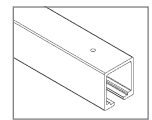
L	Art.no.
5000 mm	29.5037.501.46
2500 mm	29.5037.251.46



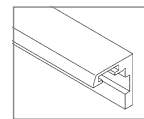
1 x 46.1500.000.00
 (▣ 86)



1 x 46.1410.000.16
 (▣ 87)



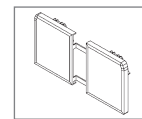
1 x 46.1520...
 (▣ 87)



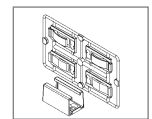
1 x 46.1560...
 (▣ 87)



1 x 46.1570.000.00
 (▣ 87)



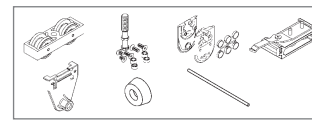
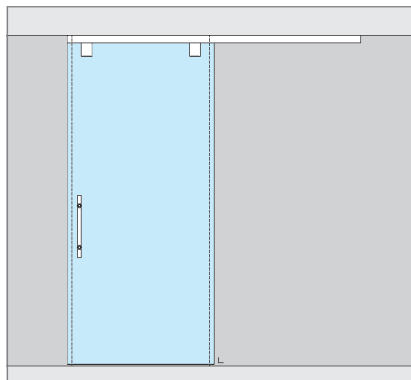
1 x 46.1580.000.36
 (▣ 87)



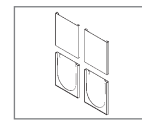
1 x 46.1440.000.16
 (▣ 87)

Ceiling

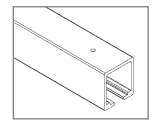
L	Art.no.
5000 mm	29.5037.502.46
2500 mm	29.5037.252.46



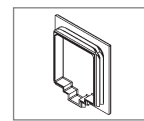
1 x 46.1500.000.00
 (▣ 86)



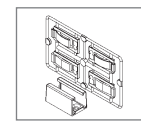
1 x 46.1410.000.16
 (▣ 87)



1 x 46.1520...
 (▣ 87)



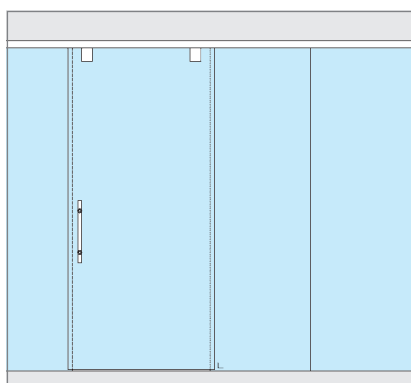
2 x 46.1530.000.36
 (▣ 87)



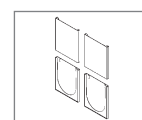
1 x 46.1440.000.16
 (▣ 87)

Glass / Glass

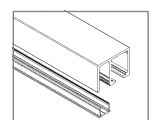
L	Art.no.
5000 mm	29.5037.503.46
2500 mm	29.5037.253.46



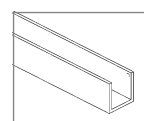
1 x 46.1500.000.00
 (▣ 86)



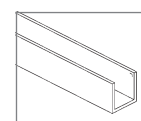
1 x 46.1410.000.16
 (▣ 87)



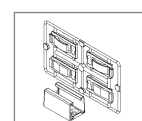
1 x 46.1550...
 (▣ 87)



L 5000 mm:
 1 x 49.0900.202.46
 (▣ 87)



L 2500 mm:
 1 x 49.8925.202.46
 (▣ 87)



1 x 46.1440.000.16
 (▣ 87)

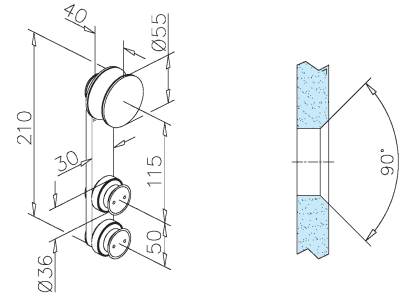
For further details visit: www.g-fittings.com

Roller component - 6101

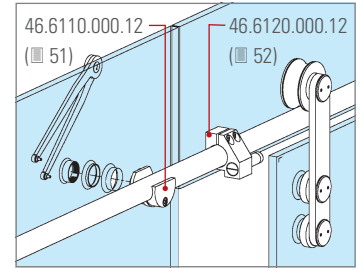
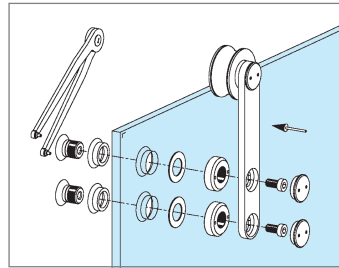


Stainless steel design

Art.no.	glass	
46.6101.000.12	8 - 12 mm	1




INFO 46.6101.000.12

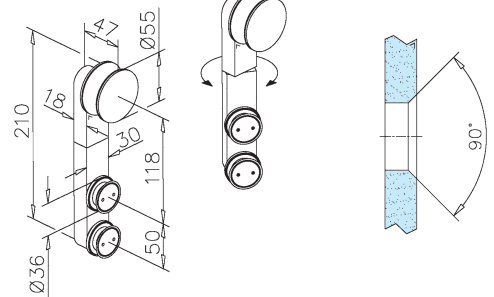


Roller component, turnable - 6102



Stainless steel design

Art.no.	glass	
46.6102.000.12	8 - 12 mm	1



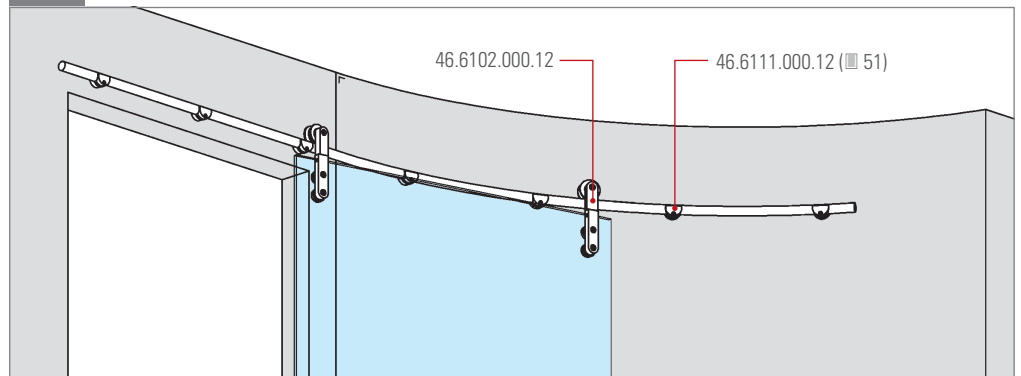
INFO Mounting



Pin wrench

Art.no.
91.0010.003.03 (51 306)

INFO 46.6102.000.12

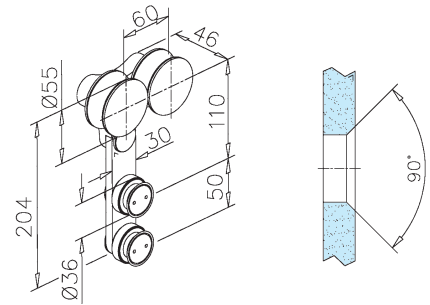


Double roller component - 6103

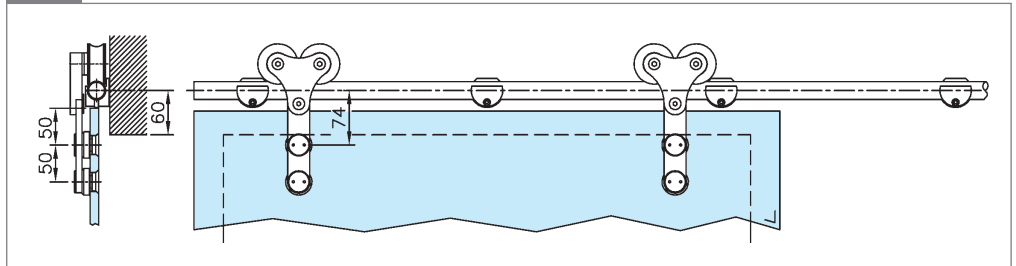


Stainless steel design

Art.no.	glass	
46.6103.000.12	8 - 12 mm	1



INFO 46.6103.000.12

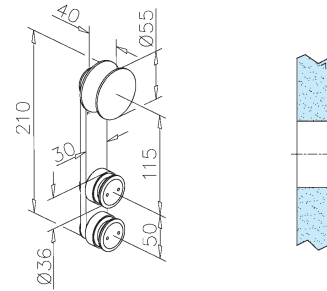


Roller component - 6106



Stainless steel design

Art.no.	glass	
46.6106.000.12	8 - 12,7 mm	1

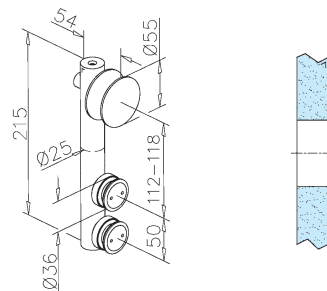


Roller component - 6107



Stainless steel design

Art.no.	glass	
46.6107.000.12	8 - 10,7 mm	1

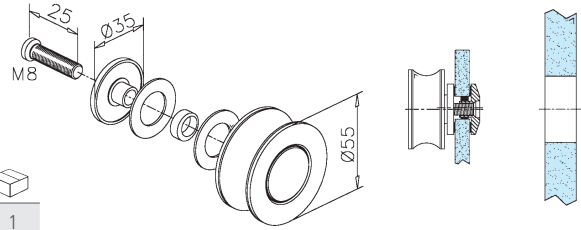


Roller - 6104



Glass fixation
Stainless steel design

Art.no.	glass	
46.6104.000.12	8 - 12,7 mm	1

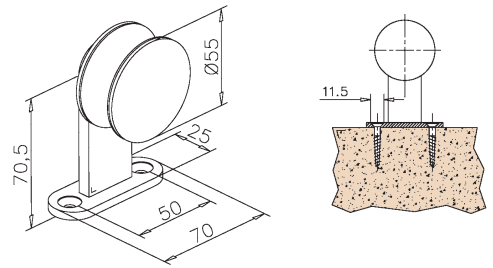


Roller - 6105

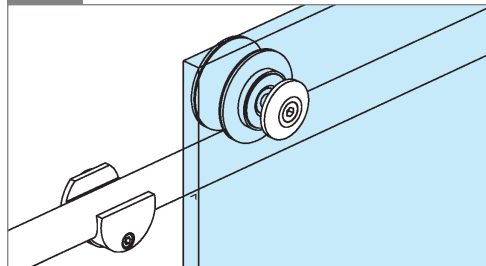


Wood fixation
Stainless steel design

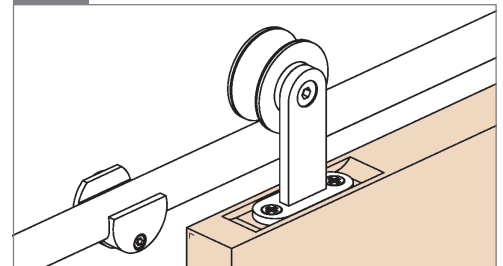
Art.no.		
46.6105.000.12		1



INFO 46.6104.000.12



INFO 46.6105.000.12

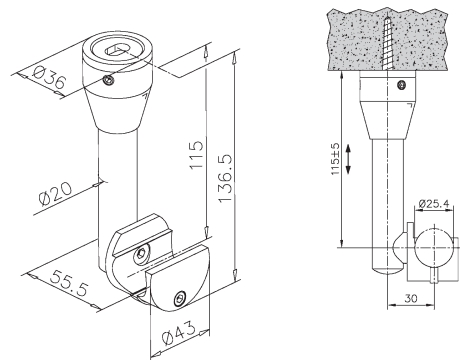


Track holder - 6115

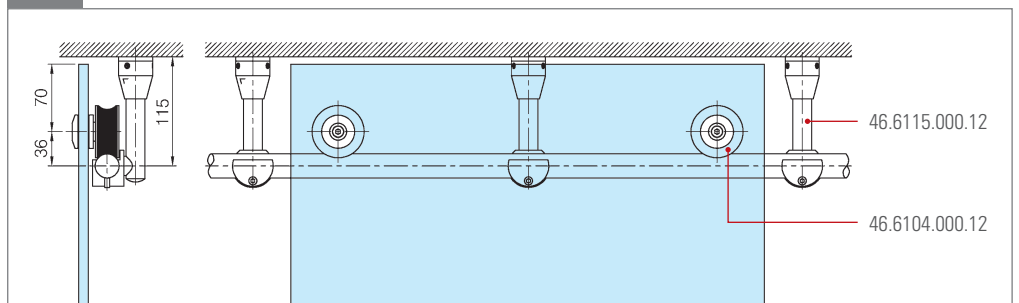


Ceiling fixation
Stainless steel design

Art.no.		
46.6115.000.12		2



INFO 46.6115.000.12

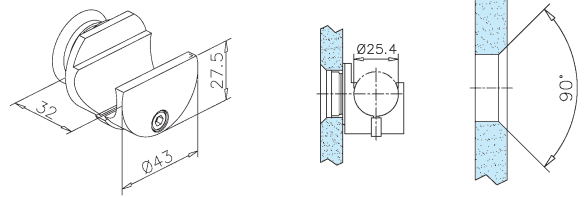


Track holder - 6110



Glass fixation
Stainless steel design

Art.no.	glass	
46.6110.000.12	10 - 12 mm	1

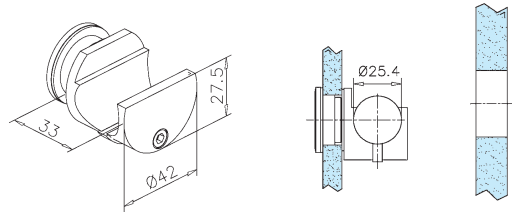


Track holder - 6114



Glass fixation, flat screw
Stainless steel design

Art.no.	glass	
46.6114.000.12	10 - 12,7 mm	1

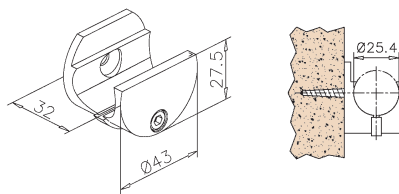


Track holder - 6111



Wall fixation
Stainless steel design

Art.no.		
46.6111.000.12		1

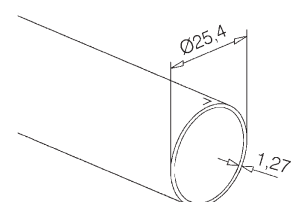


Tube - 900



Stainless steel design


Art.no.	L
12.8900.025.12	cutted

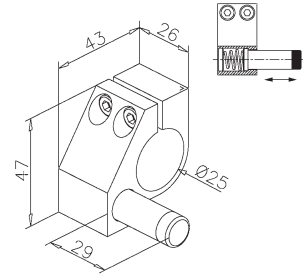


Door stopper left side - 6120



Stainless steel design

Art.no.	
46.6120.000.12	1

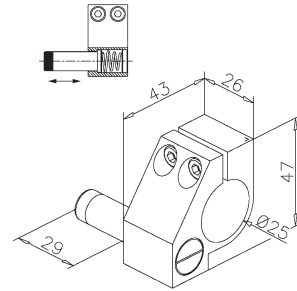


Door stopper right side - 6121



Stainless steel design

Art.no.	
46.6121.000.12	1

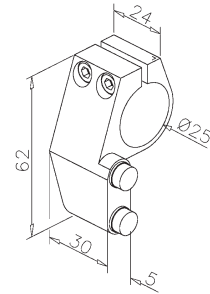


Door stopper left side - 6122



Stainless steel design


Art.no.	
46.6122.000.12	1

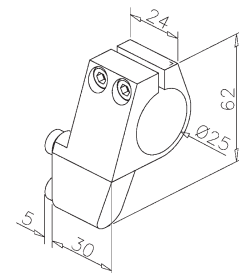


Door stopper right side - 6123



Stainless steel design


Art.no.	
46.6123.000.12	1

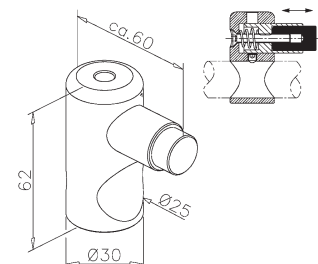


Door stopper left and right side - 6124



Stainless steel design

Art.no.	
46.6124.000.12	1

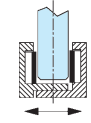
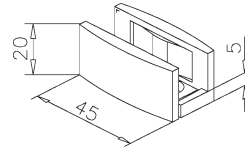


Door sliding guide - 6108



Stainless steel design

Art.no.	glass	
46.6108.000.12	10 - 12 mm	1



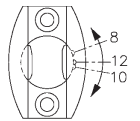
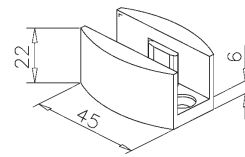
adjustable

Door sliding guide - 6109

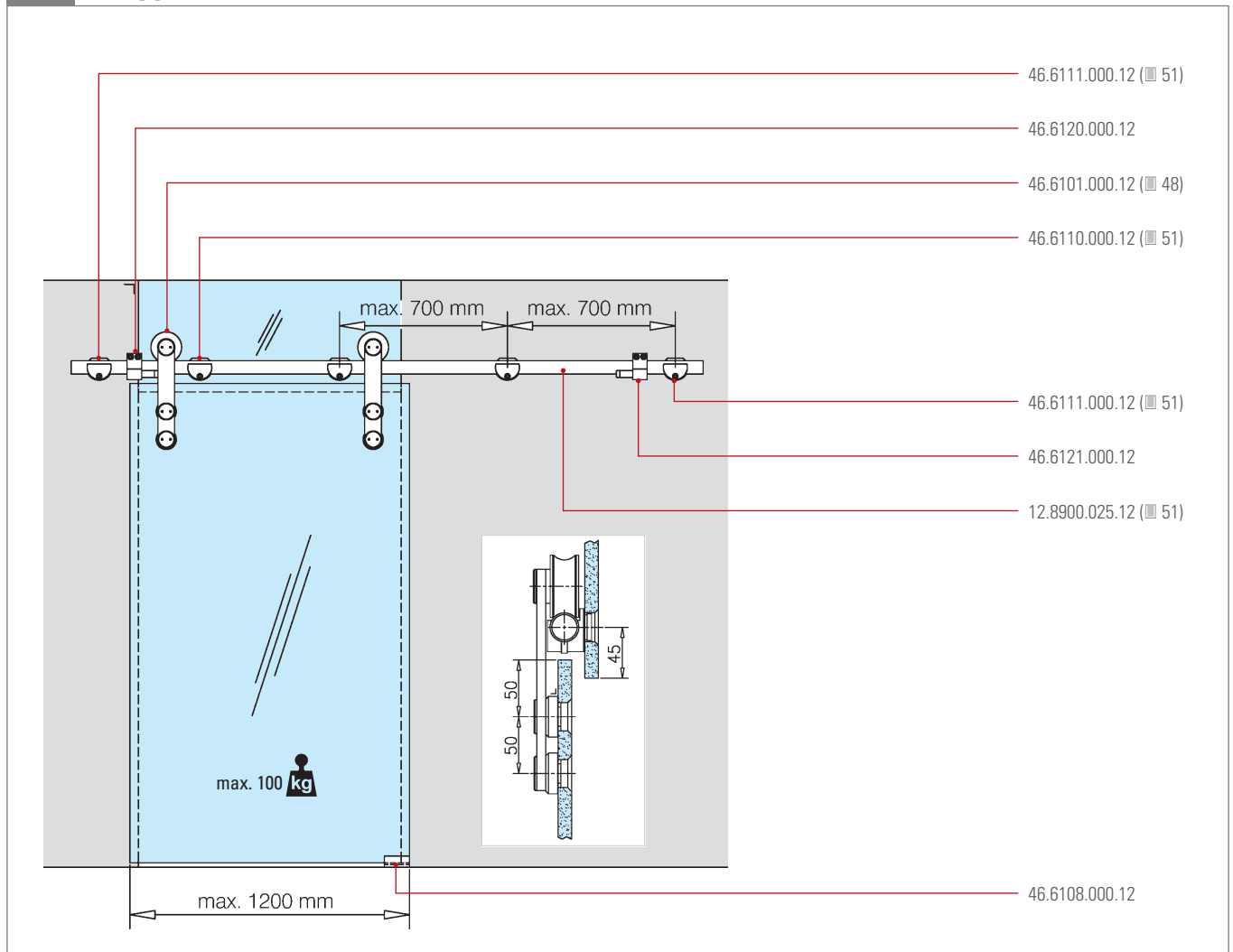


Stainless steel design

Art.no.	glass	
46.6109.000.12	8, 10, 12 mm	1



INFO Sliding glass door



Swing door - 5047



Stainless steel design / Chrome design

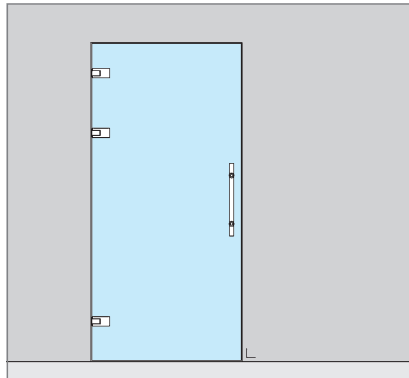
Door weight max. 50 kg
 Door height max. 1900 mm (glass 12 mm)
 Door width max. 900 mm
 Glass 8, 10, 12 mm

INFO optional



▣ 90 - ▣ 99

Wall



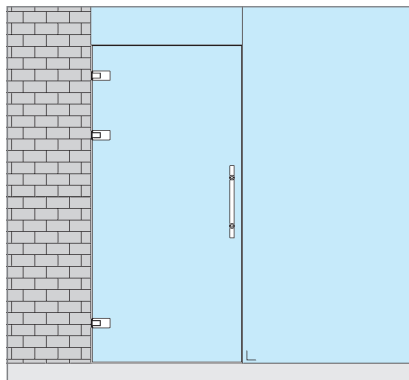
Stainless steel design Chrome design

Art.no.	Art.no.
29.5047.001.12	29.5047.001.10



3 x 41.0101.090...
 (▣ 62)

Wall / Glass



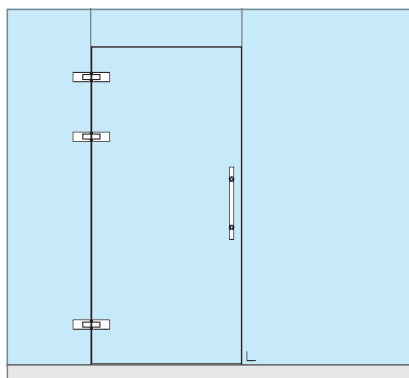
Stainless steel design Chrome design

Art.no.	Art.no.
29.5047.002.12	29.5047.002.10



3 x 41.0101.090...
 (▣ 62)

Glass / Glass



Stainless steel design Chrome design

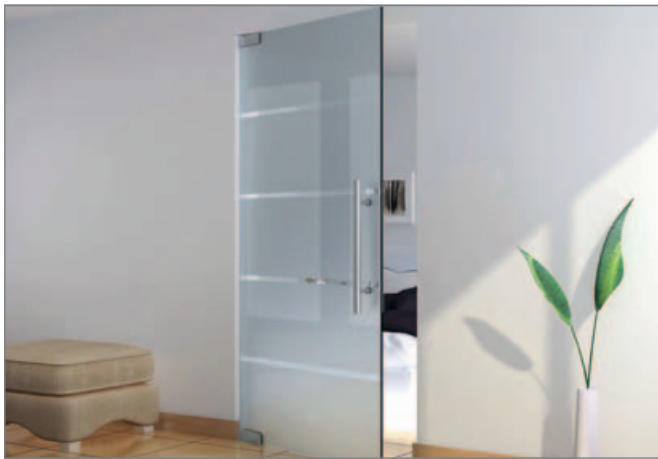
Art.no.	Art.no.
29.5047.003.12	29.5047.003.10



3 x 41.0102.180...
 (▣ 63)

For further details visit: www.g-fittings.com

Swing door - 5044



Stainless steel design / Chrome design

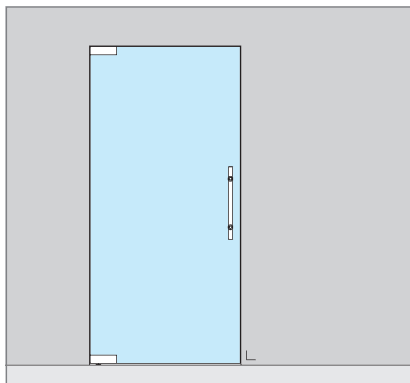
Door weight max. 100 kg
 Door height max. 2650 mm (glass 12 mm)
 Door width max. 1000 mm
 Glass 10 mm, 12 mm

Restposition
 4 x 90°



☐ 90 - ☐ 99

Wall



Stainless steel design Chrome design

Art.no. Art.no.

29.5044.001.12 29.5044.001.10



1 x
 45.2150.000...
 (☐ 70)



1 x
 45.2152.000...
 (☐ 70)

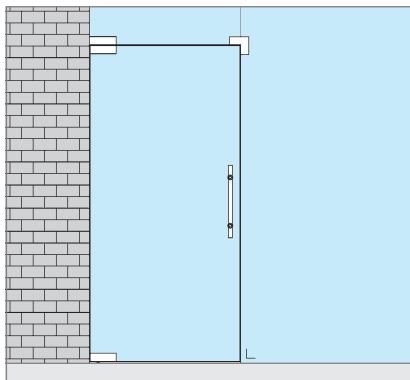


1 x
 45.2160.000.12
 (☐ 72)



1 x
 45.2170.000.12
 (☐ 72)

Wall / Glass



Stainless steel design Chrome design

Art.no. Art.no.

29.5044.002.12 29.5044.002.10



1 x
 45.2150.000...
 (☐ 70)



1 x
 45.2152.000...
 (☐ 70)



1 x
 45.2153.000...
 (☐ 70)

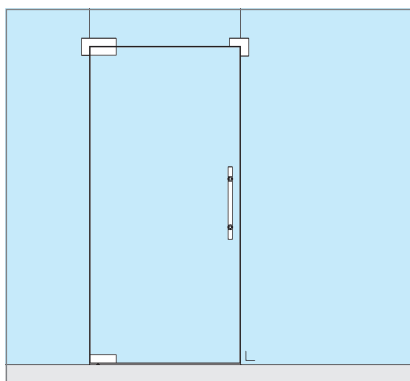


1 x
 45.2157.000...
 (☐ 71)



1 x
 45.2170.000.12
 (☐ 72)

Glass / Glass



Stainless steel design Chrome design

Art.no. Art.no.

29.5044.003.12 29.5044.003.10



1 x
 45.2150.000...
 (☐ 70)



1 x
 45.2152.000...
 (☐ 70)



1 x
 45.2154.000...
 (☐ 71)



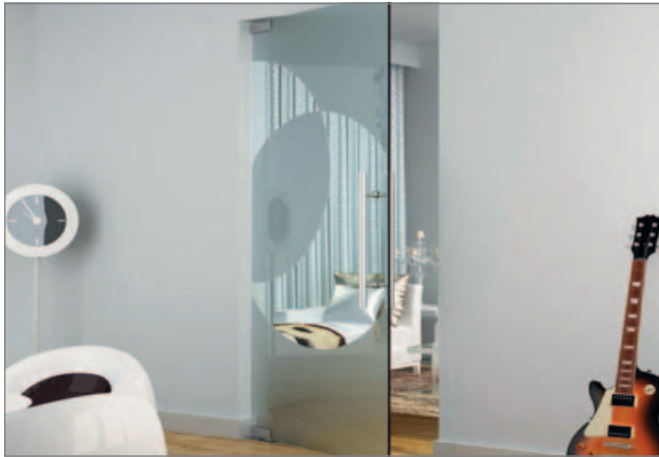
1 x
 45.2157.000...
 (☐ 71)



1 x
 45.2170.000.12
 (☐ 72)

For further details visit: www.g-fittings.com

Swing door - 5046



Stainless steel design / Chrome design

Door weight max. 100 kg
 Door height max. 3000 mm (glass 12 mm)
 Door width max. 1100 mm
 Glass 10 mm, 12 mm

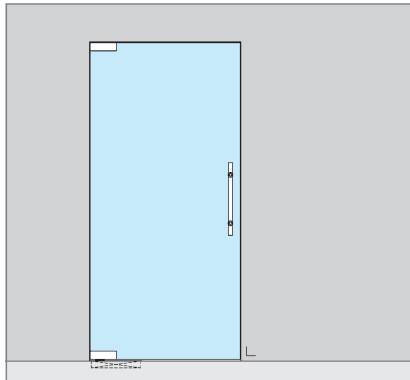
Spring strength
 EN 1 - EN 4
 (adjustable)

INFO optional



☐ 90 - ☐ 99

Wall



Stainless steel design Chrome design

Art.no. Art.no.

29.5046.001.12 29.5046.001.10



1 x
 45.2150.000...
 (☐ 70)



1 x
 45.2152.000...
 (☐ 70)

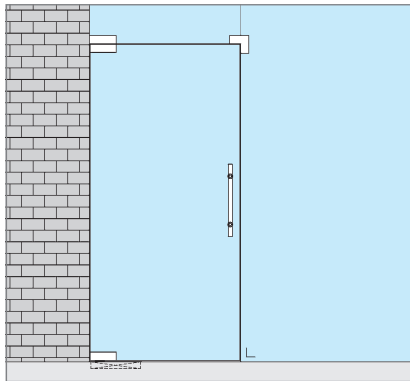


1 x
 45.2160.000.12
 (☐ 72)



1 x
 45.0101.000.12
 (☐ 73)

Wall / Glass



Stainless steel design Chrome design

Art.no. Art.no.

29.5046.002.12 29.5046.002.10



1 x
 45.2150.000...
 (☐ 70)



1 x
 45.2152.000...
 (☐ 70)



1 x
 45.2153.000...
 (☐ 70)

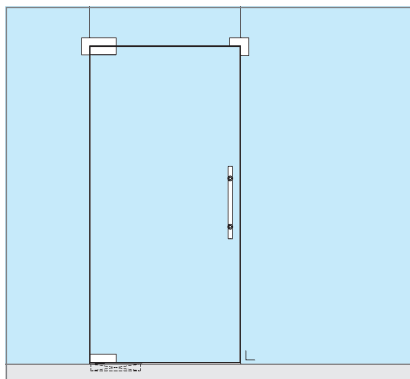


1 x
 45.2157.000...
 (☐ 71)



1 x
 45.0101.000.12
 (☐ 73)

Glass / Glass



Stainless steel design Chrome design

Art.no. Art.no.

29.5046.003.12 29.5046.003.10



1 x
 45.2150.000...
 (☐ 70)



1 x
 45.2152.000...
 (☐ 70)



1 x
 45.2154.000...
 (☐ 71)



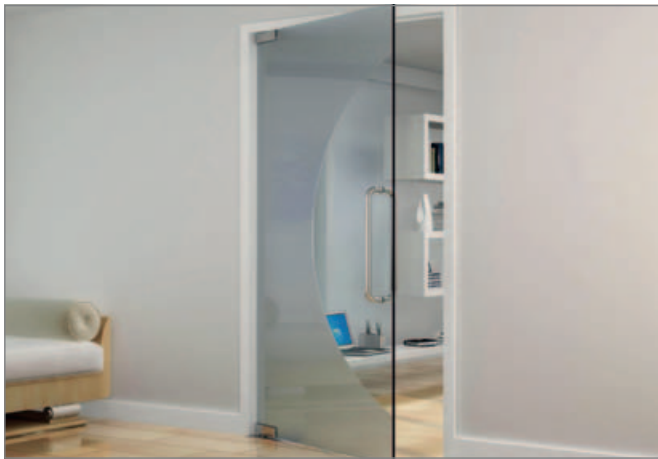
1 x
 45.2157.000...
 (☐ 71)



1 x
 45.0101.000.12
 (☐ 73)

For further details visit: www.g-fittings.com

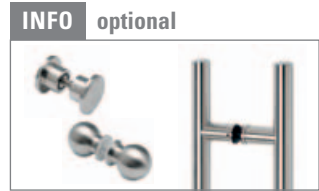
Swing door - 5045



Stainless steel design / Chrome design

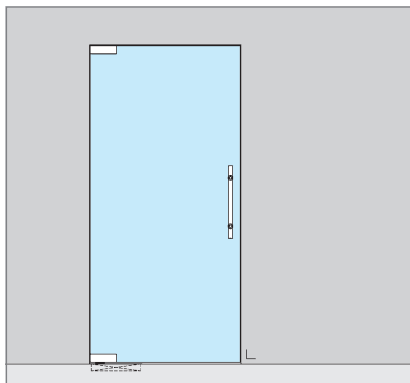
Door weight max. 100 kg
 Door height max. 3000 mm (glass 12 mm)
 Door width max. 1100 mm
 Glass 10 mm, 12 mm

Spring strength
 EN 3



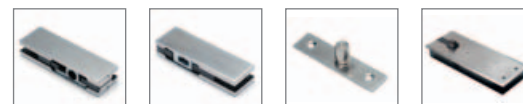
▣ 90 - ▣ 99

Wall



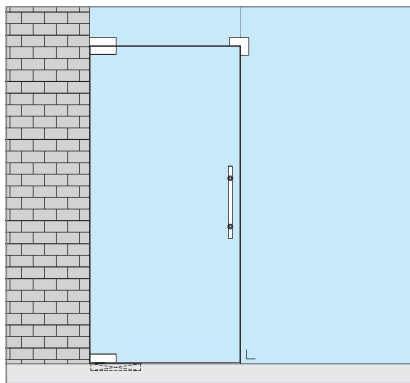
Stainless steel design Chrome design
 Art.no. Art.no.

29.5045.001.12	29.5045.001.10
----------------	----------------



1 x 45.2150.000... (▣ 70)	1 x 45.2152.000... (▣ 70)	1 x 45.2160.000.12 (▣ 72)	1 x 45.0100.000.12 (▣ 73)
---------------------------------	---------------------------------	---------------------------------	---------------------------------

Wall / Glass



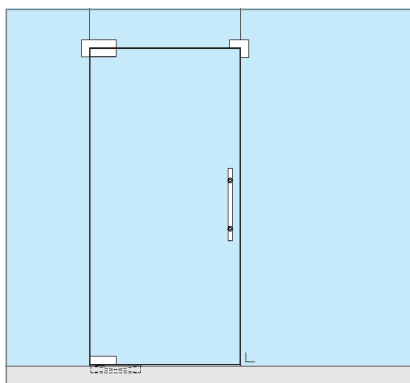
Stainless steel design Chrome design
 Art.no. Art.no.

29.5045.002.12	29.5045.002.10
----------------	----------------



1 x 45.2150.000... (▣ 70)	1 x 45.2152.000... (▣ 70)	1 x 45.2153.000... (▣ 70)	1 x 45.2157.000... (▣ 71)	1 x 45.0100.000.12 (▣ 73)
---------------------------------	---------------------------------	---------------------------------	---------------------------------	---------------------------------

Glass / Glass



Stainless steel design Chrome design
 Art.no. Art.no.

29.5045.003.12	29.5045.003.10
----------------	----------------



1 x 45.2150.000... (▣ 70)	1 x 45.2152.000... (▣ 70)	1 x 45.2154.000... (▣ 71)	1 x 45.2157.000... (▣ 71)	1 x 45.0100.000.12 (▣ 73)
---------------------------------	---------------------------------	---------------------------------	---------------------------------	---------------------------------

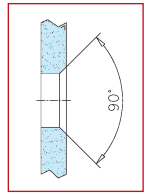
For further details visit: www.g-fittings.com

Swing door - 5040



Stainless steel design

Door weight max. 100 kg
 Door height max. 2750 mm (glass 12 mm)
 Door width max. 1200 mm
 Glass 10 mm, 12 mm



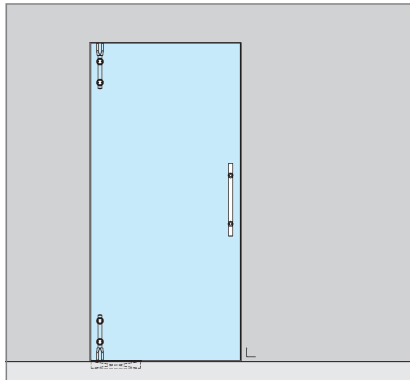
Spring strength
 EN 3

INFO optional



▣ 90 - ▣ 99

Wall



Art.no.

29.5040.001.12



1 x 45.0150.000.12
 (▣ 68)

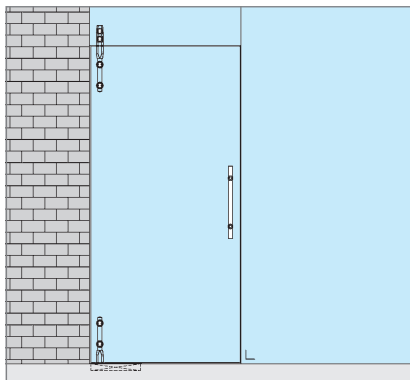


1 x 45.0152.000.12
 (▣ 68)



1 x 45.0100.000.12
 (▣ 73)

Wall / Glass



Art.no.

29.5040.002.12



1 x 45.0154.000.12
 (▣ 69)



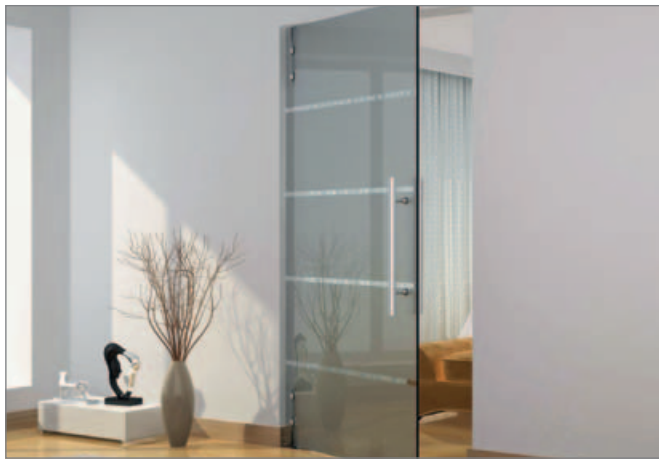
1 x 45.0152.000.12
 (▣ 68)



1 x 45.0100.000.12
 (▣ 73)

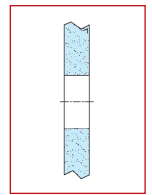
For further details visit: www.g-fittings.com

Swing door - 5041

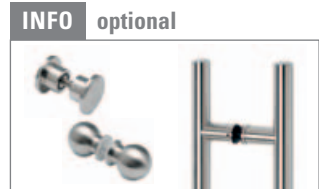


Stainless steel design

Door weight max. 100 kg
 Door height max. 2750 mm (glass 12,7 mm)
 Door width max. 1200 mm
 Glass 10 / 10,7 / 12 / 12,7 mm

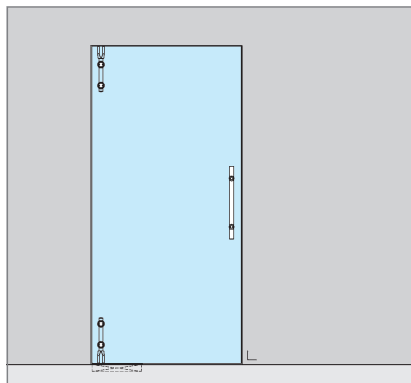


Spring strength
 EN 3



☐ 90 - ☐ 99

Wall



Art.no.

29.5041.001.12



1 x 45.0150.000.12
 (☐ 68)



1 x 45.0152.000.12
 (☐ 68)

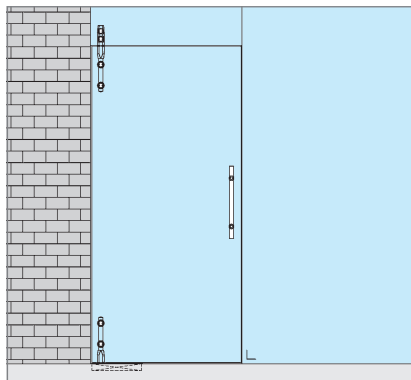


2 x 46.0731.000.12
 (☐ 69)



1 x 45.0100.000.12
 (☐ 73)

Wall / Glass



Art.no.

29.5041.002.12



1 x 45.0154.000.12
 (☐ 69)



1 x 45.0152.000.12
 (☐ 68)



3 x 46.0731.000.12
 (☐ 69)



1 x 45.0100.000.12
 (☐ 73)

Swing door - 5048

NEW



Stainless steel design

Door weight max. 100 kg
 Door height max. 2500 mm (glass 12 mm)
 Door width max. 1000 mm
 Glass 10 mm, 12 mm

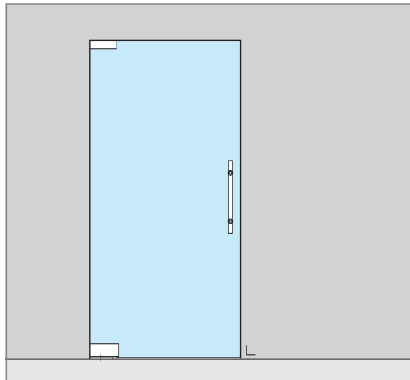
Hydraulic
Patch Fitting

INFO optional



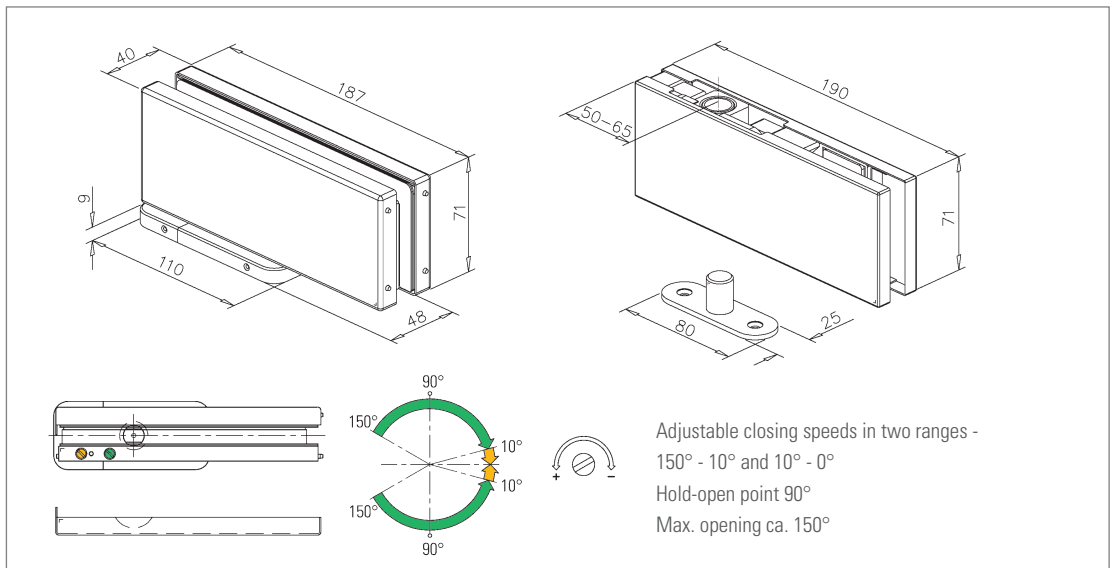
▣ 90 - ▣ 99

Wall



Art.no.

29.5048.001.12



Adjustable closing speeds in two ranges -
 150° - 10° and 10° - 0°
 Hold-open point 90°
 Max. opening ca. 150°

Advantages

- Complete set incl. Hydraulic bottom patch, upper patch and top pivot.
- Tested in accordance with **DIN EN 1154** European standards for durability and excellent functionality.
- Quick and easy installation.
- Requires no digging.
- 3-way adjustment (± 3 mm to the front and rear / ± 3 mm left and right / $\pm 4^\circ$ alignment adjustment).

For further details visit: www.g-fittings.com

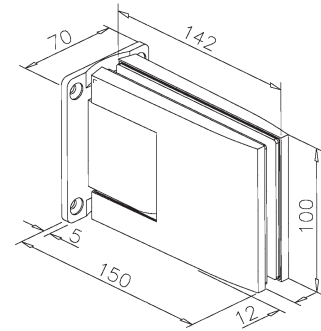
Hydraulic door hinge - 4412 / 090 (pair)



glass/wall

Aluminium stainless steel effect

Art.no.	glass	
41.4412.090.19	8 - 12 mm	1




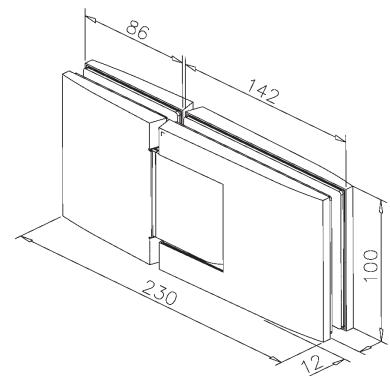
Hydraulic door hinge - 4412 / 180 (pair)



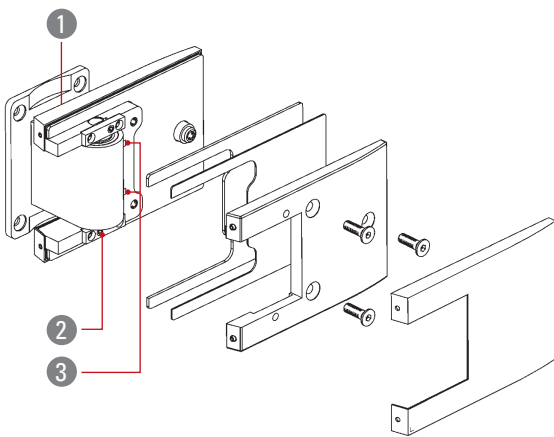
glass/glass

Aluminium stainless steel effect

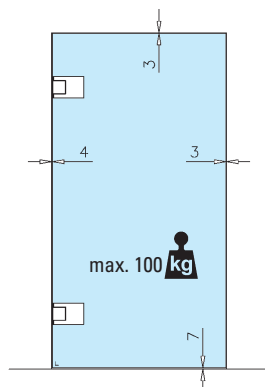
Art.no.	glass	
41.4412.180.19	8 - 12 mm	1



INFO Mounting



- 1 Easy closing speed adjustment with screw valve
- 2 Adjusting system to control the close position up to $\pm 10^\circ$
- 3 Changeable system for a "90° Hold-open function" or "Not Hold-open function"



Door hinge - 101



glass/wall

Stainless steel design

Art.no.
41.0101.090.12

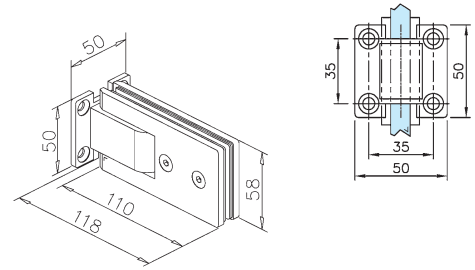
Chrome design

Art.no.
41.0101.090.10

glass



8 - 12 mm 1



Door hinge - 102 / 090



glass/glass

Stainless steel design

Art.no.
41.0102.090.12

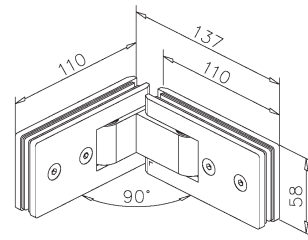
Chrome design

Art.no.
41.0102.090.10

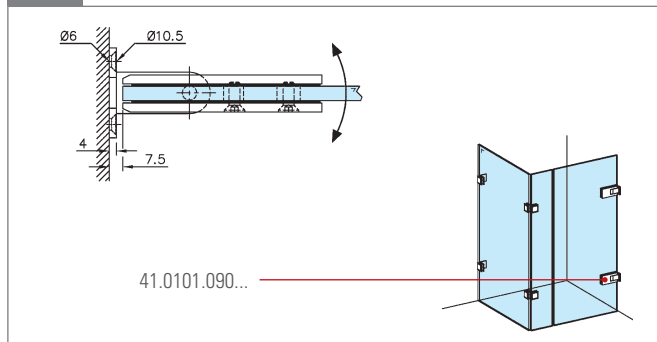
glass



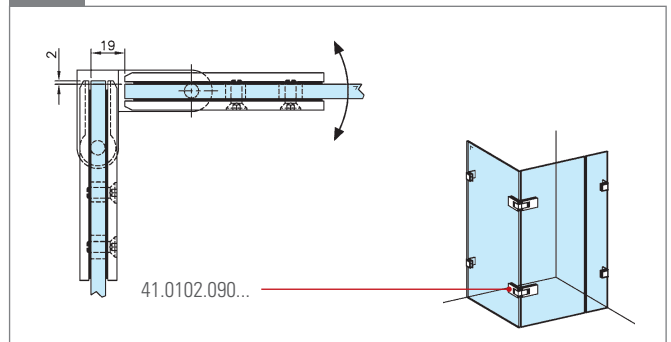
8 - 12 mm 1



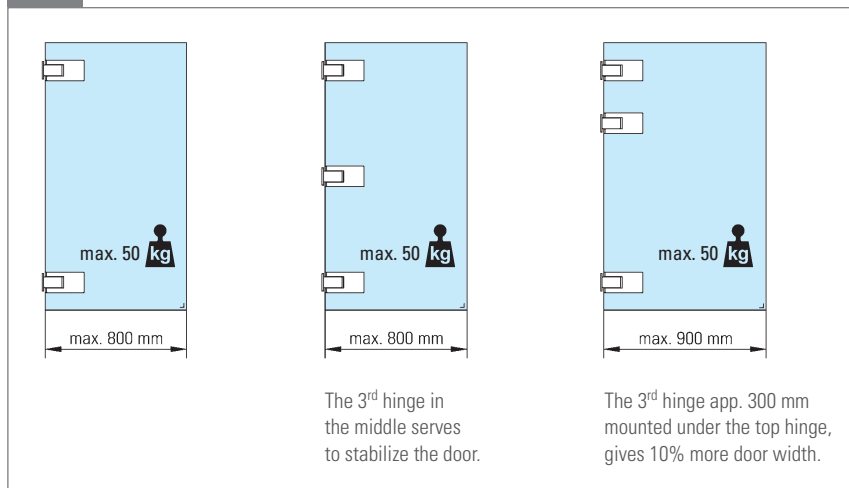
INFO 41.0101.090...



INFO 41.0102.090...



INFO



Door hinge - 102 / 135



glass/glass

Stainless steel design

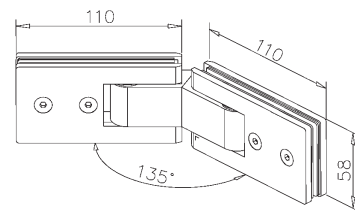
Art.no.
41.0102.135.12

Chrome design

Art.no.
41.0102.135.10

glass
8 - 12 mm

1



Door hinge - 102 / 180



glass/glass

Stainless steel design

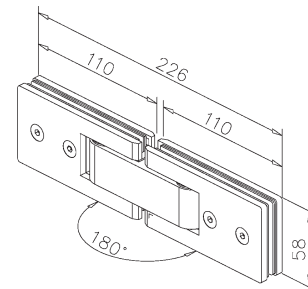
Art.no.
41.0102.180.12

Chrome design

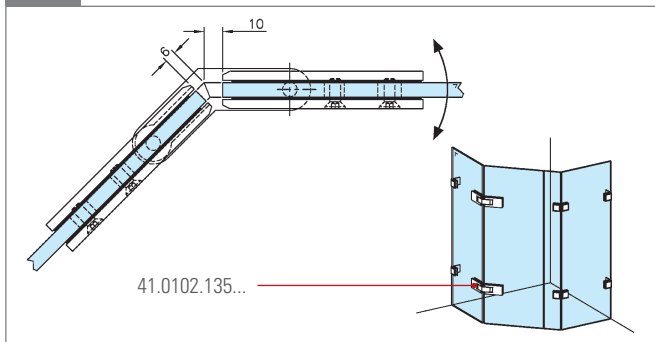
Art.no.
41.0102.180.10

glass
8 - 12 mm

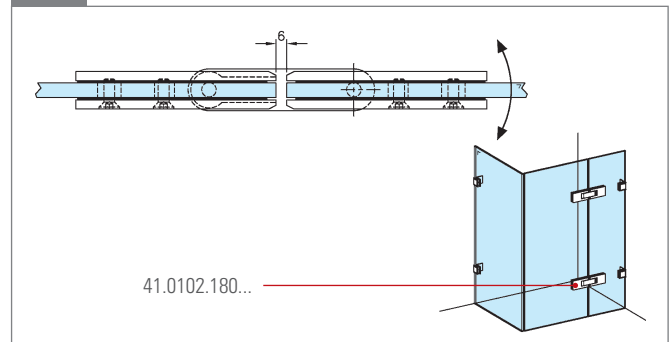
1



INFO 41.0102.135...



INFO 41.0102.180...



Door hinge - 3012



glass/wall

Stainless steel design

Art.no.
41.3012.090.12

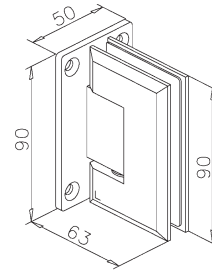
Chrome design

Art.no.
41.3012.090.10

glass
8 - 12 mm



1



Door hinge - 3112



glass/wall

Stainless steel design

Art.no.
41.3112.090.12

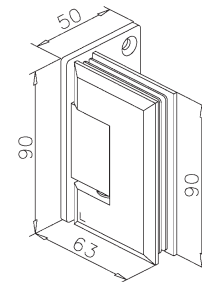
Chrome design

Art.no.
41.3112.090.10

glass
8 - 12 mm



1



Door hinge - 3212 / 090



glass/glass

Stainless steel design

Art.no.
41.3212.090.12

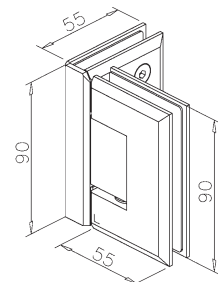
Chrome design

Art.no.
41.3212.090.10

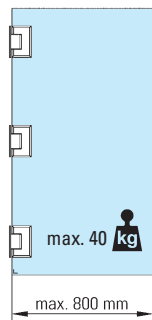
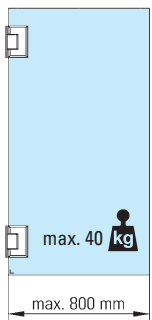
glass
8 - 12 mm



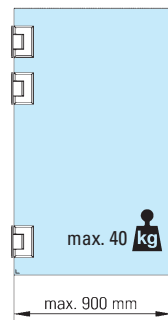
1



INFO



The 3rd hinge in the middle serves to stabilize the door.



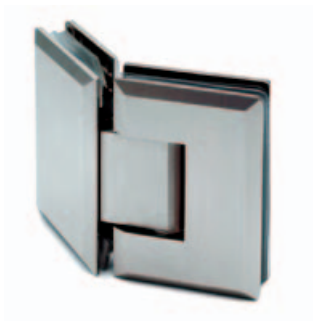
The 3rd hinge app. 300 mm mounted under the top hinge, gives 10% more door width.



Wall fixations

■ 112


Door hinge - 3212 / 135

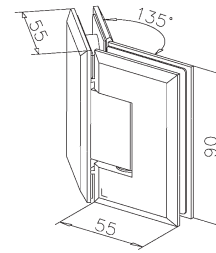


glass/glass

Stainless steel design

Chrome design

Art.no.	Art.no.	glass	
41.3212.135.12	41.3212.135.10	8 - 12 mm	1




Door hinge - 3212 / 180

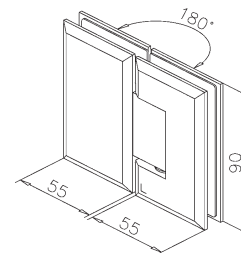


glass/glass

Stainless steel design

Chrome design

Art.no.	Art.no.	glass	
41.3212.180.12	41.3212.180.10	8 - 12 mm	1

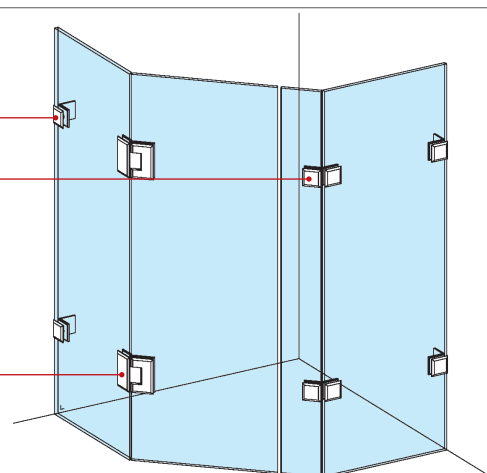


INFO 41.3212.135...

40.4112.090... (■ 112)

40.4012.135... (■ 112)

41.3212.135...



Door hinge - 5012

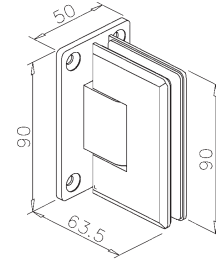


ADJUST-ABLE

glass/wall

Stainless steel design Chrome design

Art.no.	Art.no.	glass	
41.5012.090.12	41.5012.090.10	8 - 10 mm	2



Door hinge - 5112

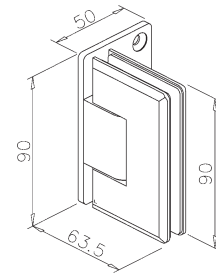


ADJUST-ABLE

glass/wall

Stainless steel design Chrome design

Art.no.	Art.no.	glass	
41.5112.090.12	41.5112.090.10	8 - 10 mm	2




Door hinge - 5212

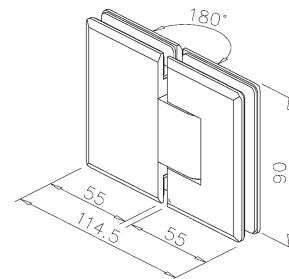


ADJUST-ABLE

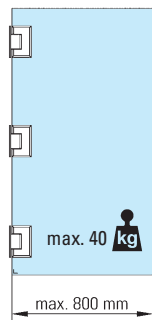
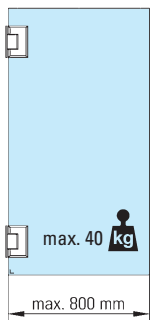
glass/glass

Stainless steel design Chrome design

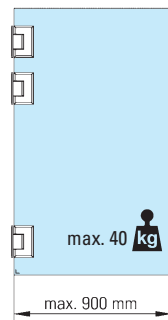
Art.no.	Art.no.	glass	
41.5212.180.12	41.5212.180.10	8 - 10 mm	1



INFO

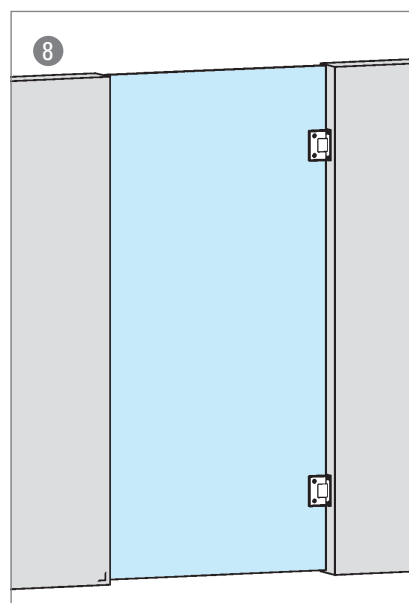
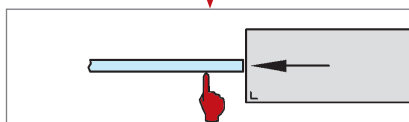
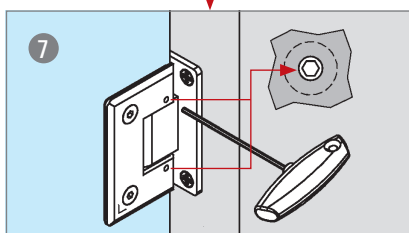
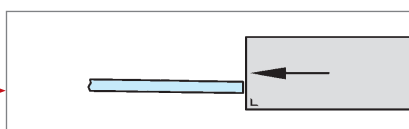
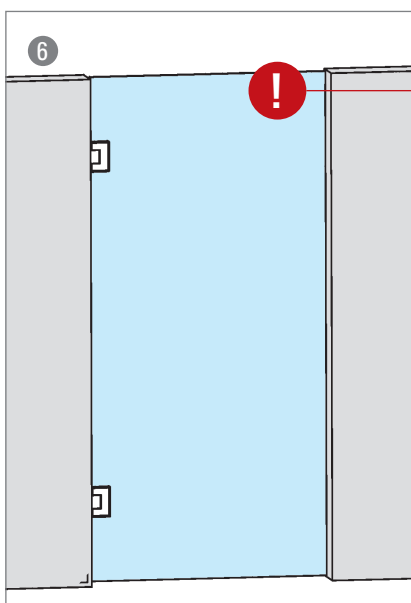
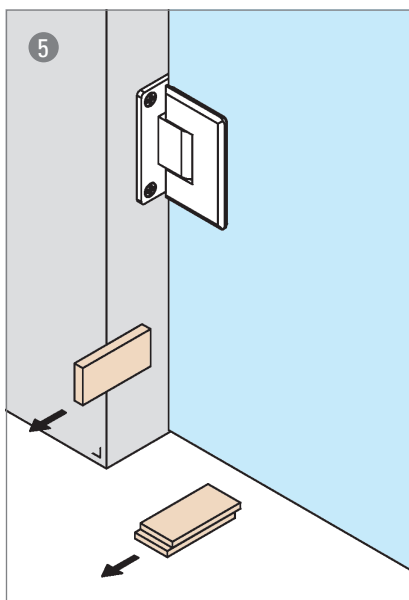
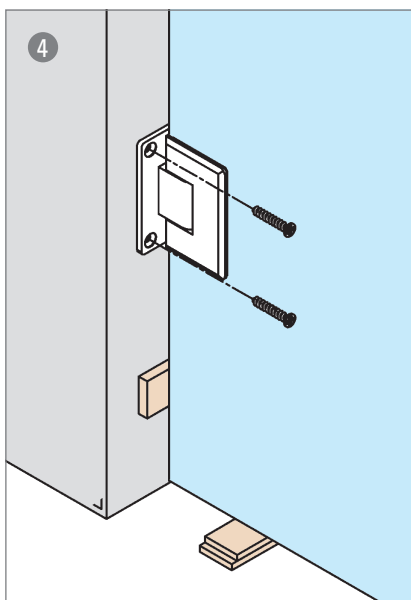
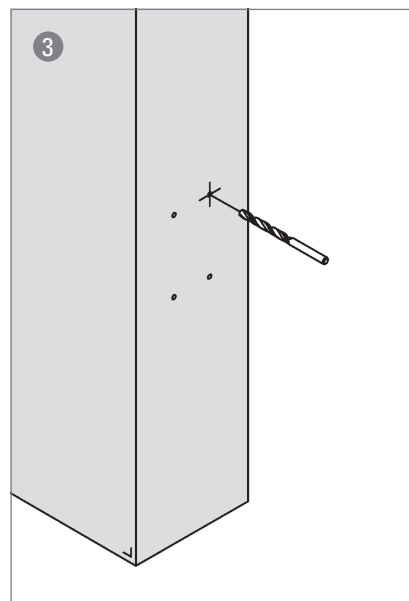
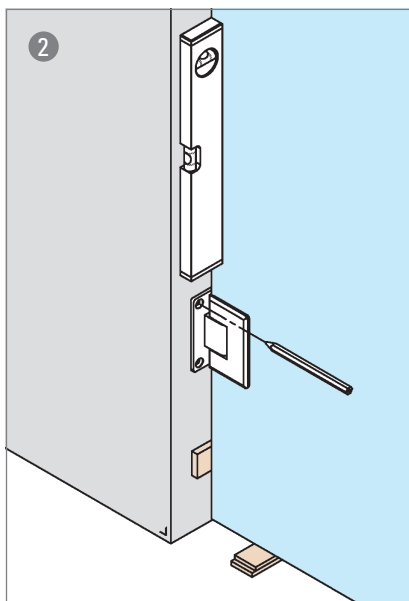
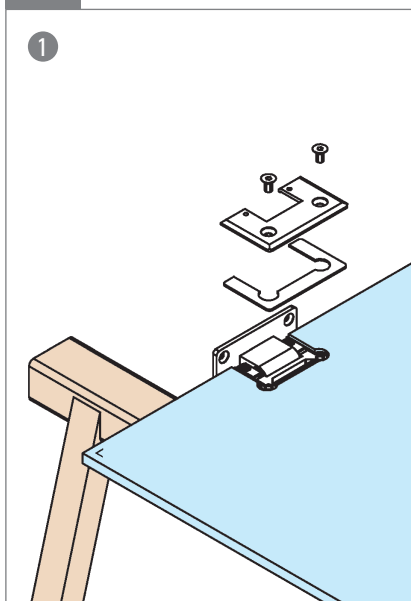


The 3rd hinge in the middle serves to stabilize the door.



The 3rd hinge app. 300 mm mounted under the top hinge, gives 10% more door width.

INFO 41.5012.090...



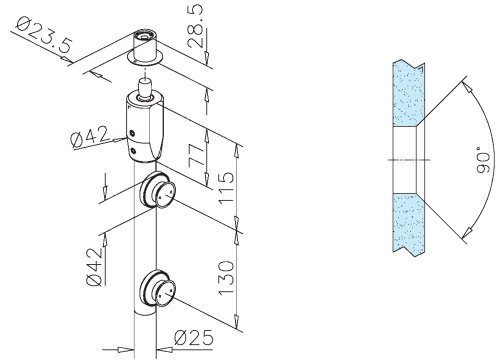
1

Ceiling pivot bar - 150



Stainless steel design

Art.no.	glass	
45.0150.000.12	10 - 12 mm	1

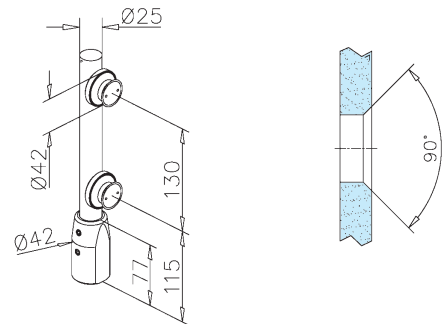


Floor pivot bar - 152



Stainless steel design

Art.no.	glass	
45.0152.000.12	10 - 12 mm	1



INFO Mounting

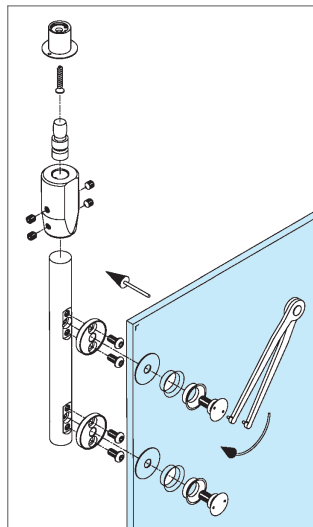
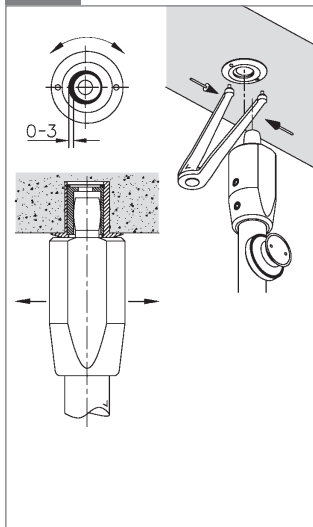
NEW



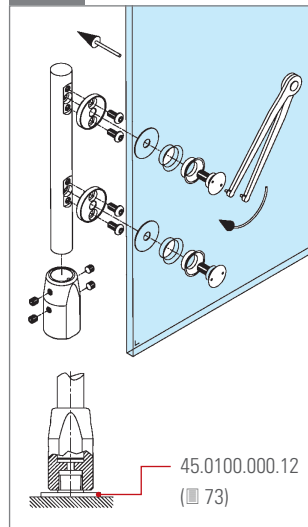
Pin wrench

Art.no.
91.0010.003.03 (■ 306)

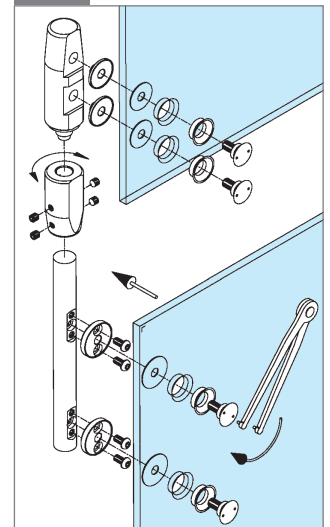
INFO 45.0150.000.12



INFO 45.0152.000.12



INFO 45.0154.000.12



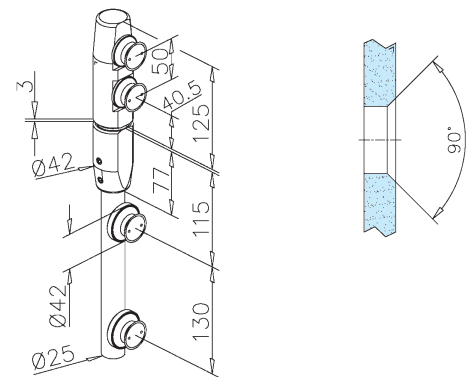
Transom pivot bar - 154



glass/glass

Stainless steel design

Art.no.	glass	
45.0154.000.12	10 - 12 mm	1



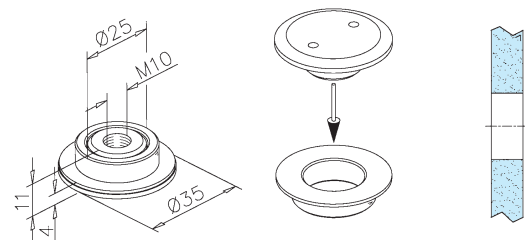
Flat screw - 731



for glass fixation (pair)

Stainless steel design


Art.no.	glass	
46.0731.000.12	10 - 12,7 mm	1

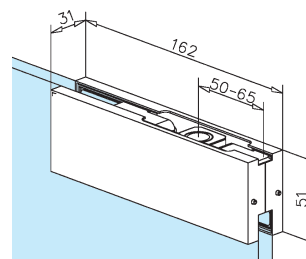


1

Upper glass corner patch - 2150




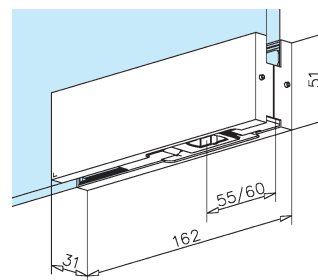
Stainless steel design	Chrome design		
Art.no.	Art.no.	glass	
45.2150.000.12	45.2150.000.10	10 - 12 mm	1



Lower glass door patch - 2152




Stainless steel design	Chrome design		
Art.no.	Art.no.	glass	
45.2152.000.12	45.2152.000.10	10 - 12 mm	1

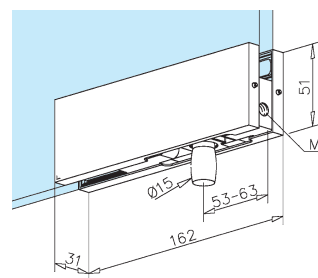


Over glass panel pivot patch - 2153



glass/wall, M8

Stainless steel design	Chrome design		
Art.no.	Art.no.	glass	
45.2153.000.12	45.2153.000.10	10 - 12 mm	1



INFO Mounting




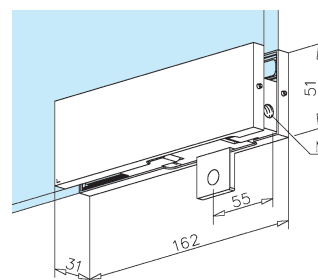
Dowel screw - M8 x 50 mm
Art.no. 19.0100.000.00 (■ 301)

Over glass panel door stop patch - 2158



M8

Stainless steel design	Chrome design		
Art.no.	Art.no.	glass	
45.2158.000.12	45.2158.000.10	10 - 12 mm	1



INFO Mounting



Dowel screw - M8 x 50 mm
Art.no. 19.0100.000.00 (■ 301)

Over glass corner pivot patch - 2154

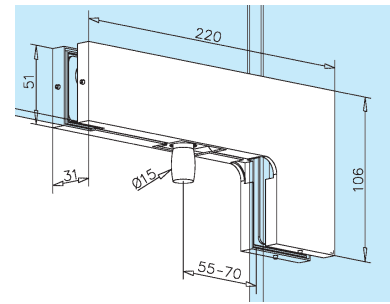


glass/glass

Stainless steel design

Chrome design

Art.no.	Art.no.	glass	
45.2154.000.12	45.2154.000.10	10 - 12 mm	1



Corner connection patch - 2157

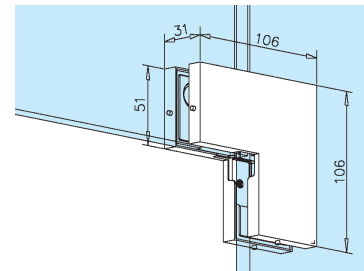


glass/glass

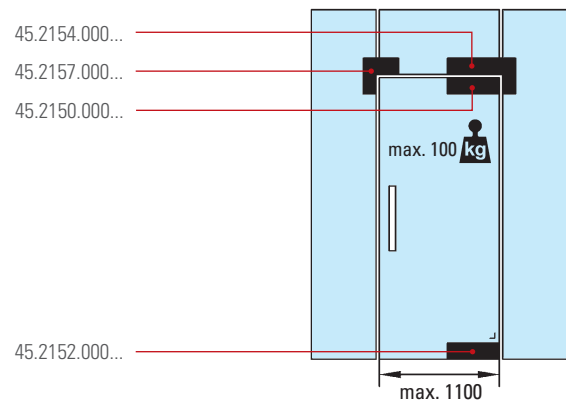
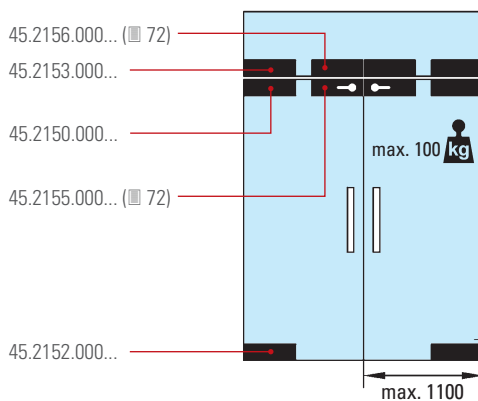
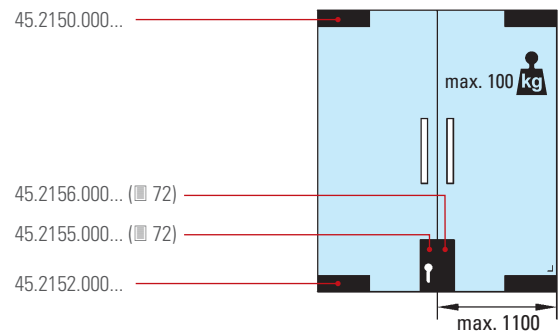
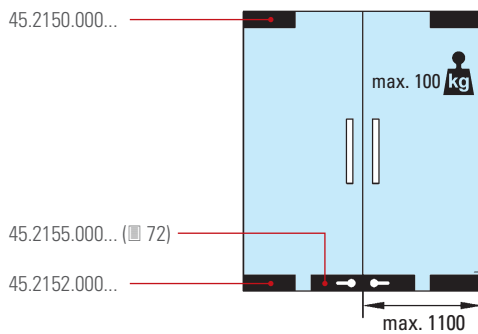
Stainless steel design

Chrome design

Art.no.	Art.no.	glass	
45.2157.000.12	45.2157.000.10	10 - 12 mm	1



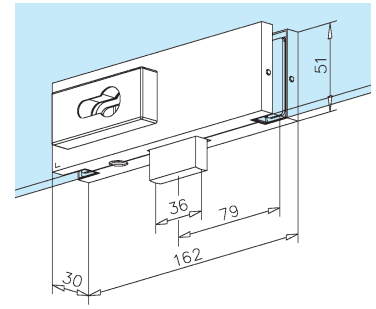
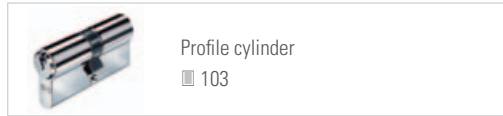
INFO 45.2150.000... - 45.2157.000...



Locking patch - 2155



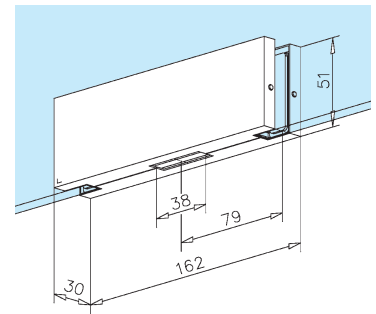
Stainless steel design	Chrome design		
Art.no.	Art.no.	glass	
45.2155.000.12	45.2155.000.10	10 - 12 mm	1



Strike box - 2156



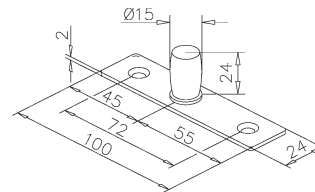
Stainless steel design	Chrome design		
Art.no.	Art.no.	glass	
45.2156.000.12	45.2156.000.10	10 - 12 mm	1



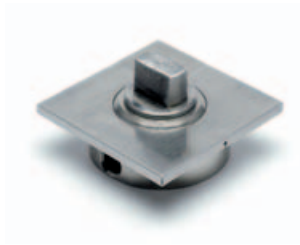
Top pivot - 2160



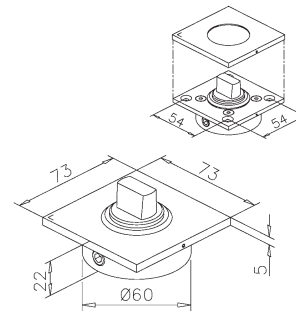
Stainless steel design		
Art.no.		
45.2160.000.12	2	



Floor spindle - 2170



Restposition 4 x 90°	
Stainless steel design	
Art.no.	
45.2170.000.12	1

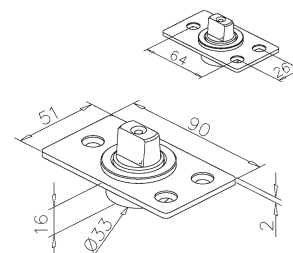


max. 100 kg

Floor spindle - 2171



with axis of rotation 360°	
Stainless steel design	
Art.no.	
45.2171.000.12	1



max. 100 kg

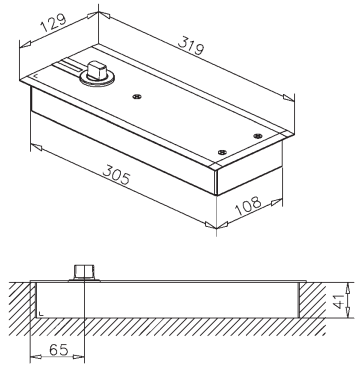
Floor spring - 100



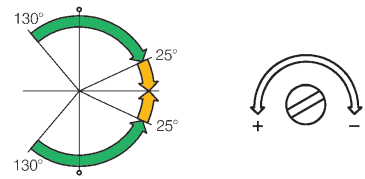
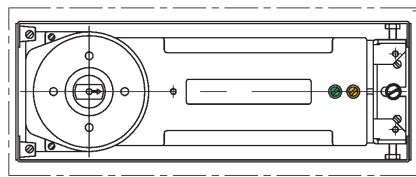
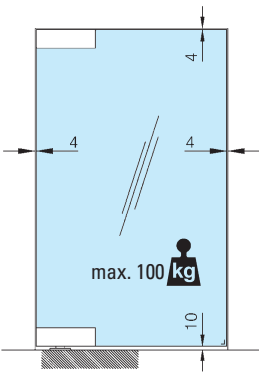
EN 1154

Stainless steel design

Art.no. 
45.0100.000.12 1



INFO 45.0100.000.12




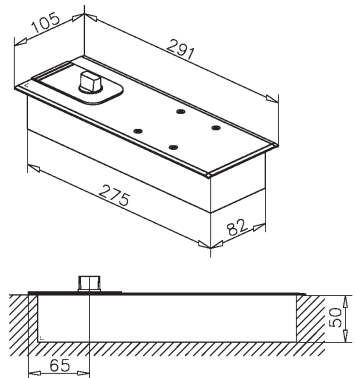
Spring strength EN 3
Closing speed variable by valve adjustment
Second adjusting closing range ca. 130° - ca. 25°
Hold - open point ca. 90°
Max. opening ca. 130°

Floor spring - 101

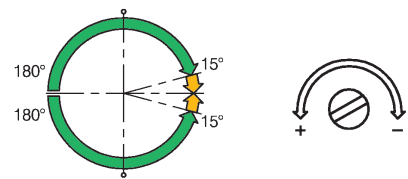
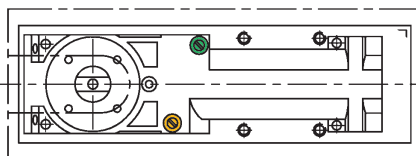
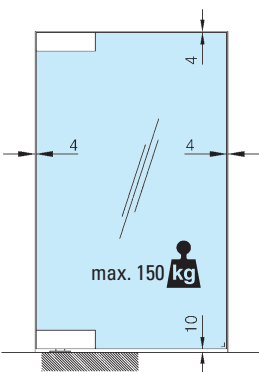


Stainless steel design

Art.no. 
45.0101.000.12 1



INFO 45.0101.000.12



Adjustable spring strength EN 1 - EN 4
Adjustable closing speeds in two ranges -
ca. 180° - ca. 15° and ca. 15° - ca. 0°
Hold - open point ca. 105°
Max. opening ca. 180°



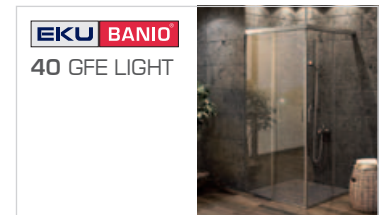
1

Glass door systems

EKU / HAWA



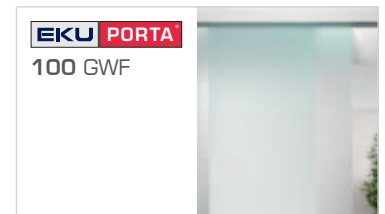
1 Shower cubicle 76



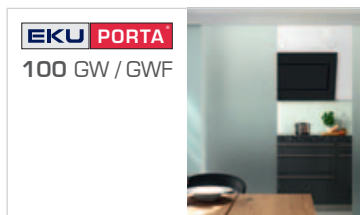
1 Shower cubicle 77



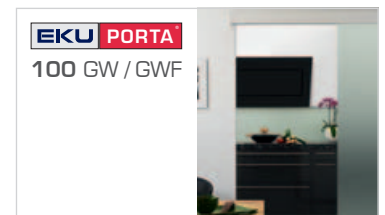
1 Sliding glass door 78



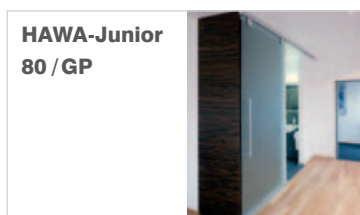
1 Sliding glass door 80



1 Synchro 82



1 Soft close 83



1 Sliding glass door 84



1 Sliding glass door 86

Shower cubicle

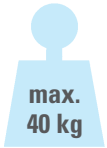
EKU BANIO® 40 GF LIGHT



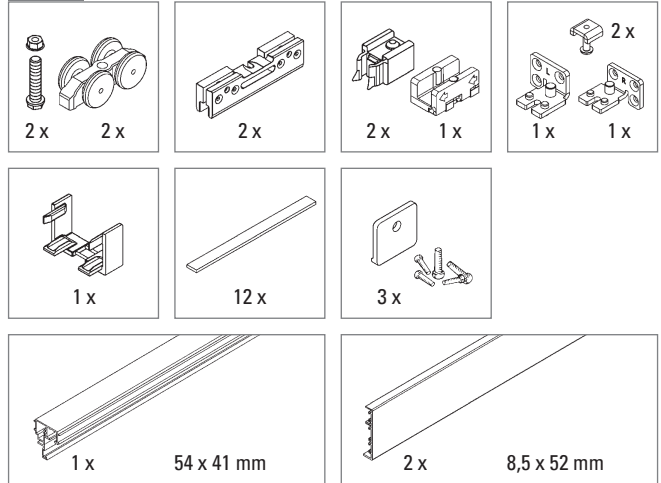
anodized

Art.no. glass
46.1301.150.46 8 / 8,7 mm

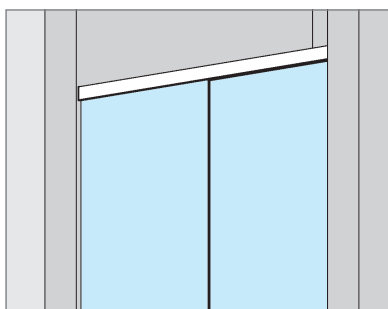
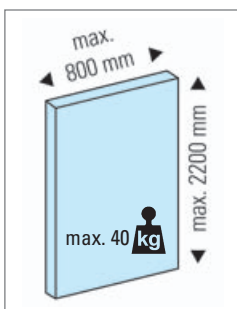
L 1500 mm



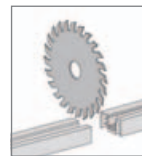
INFO Products



INFO Finish



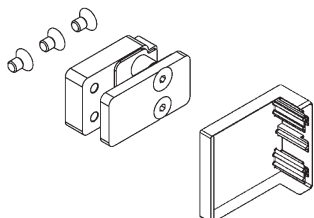
System: Recess application 1500 mm for „installing in the opening“, for one glass door up to 40 kg.



Quick made to measure production and simple installation - no glass processing is required.

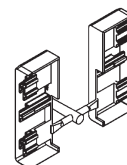
For glass calculation visit: www.eku.ch/en/CalculatorOneSide.aspx

Accessories



EKU-BANIO 40 GF set
glass-wall application

Art.no.
46.1370.000.46



EKU-BANIO 40 GF cover
glass-wall application

Art.no.
46.1371.000.46

Shower cubicle

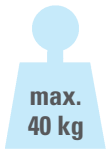
EKU BANIO 40 GFE LIGHT



anodized

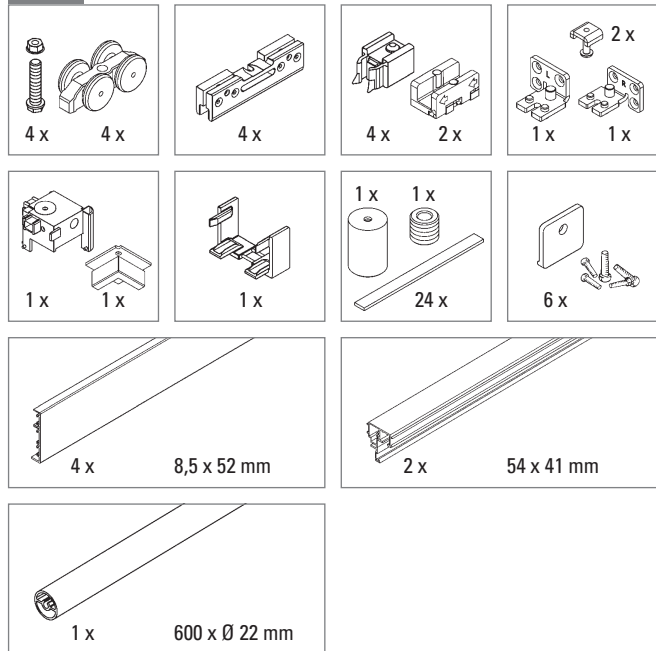
Art.no. glass
46.1351.120.46 8 / 8,7 mm

L 1200 mm

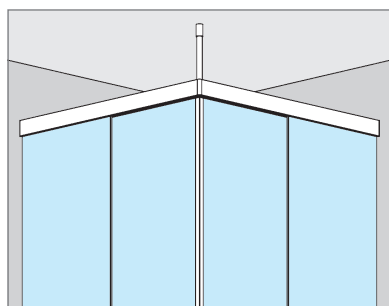
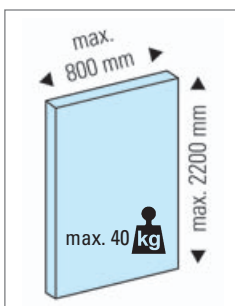


1

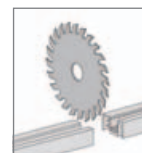
INFO Products



INFO Finish



System: Corner application 1200 mm with fixed glass, for 2 glass doors up to 40 kg.



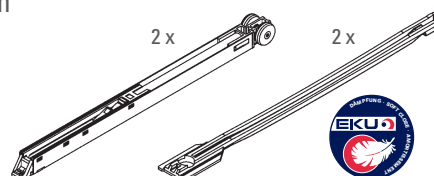
Quick made to measure production and simple installation - no glass processing is required.

For glass calculation visit: www.eku.ch/en/CalculatorTwoSides.aspx

INFO optional

Soft closing mechanism for shower cubicles

40 GF LIGHT
40 GFE LIGHT



Art.no.
46.1390.000.00

NEW

Sliding glass door

EKU PORTA 100 GW

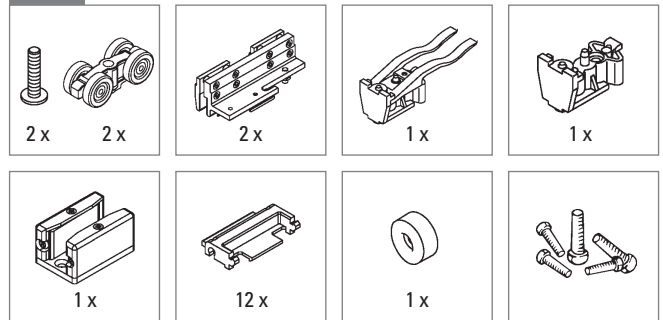


anodized

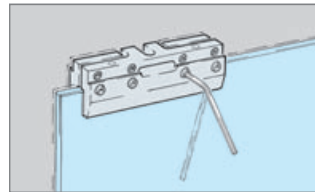
Art.no. glass
46.1100.000.46 8 - 12,7 mm

max.
100 kg

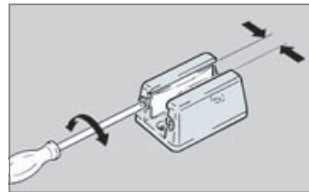
INFO Products



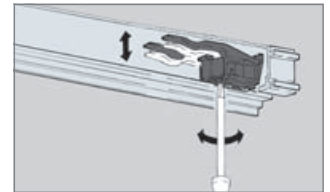
INFO Finish



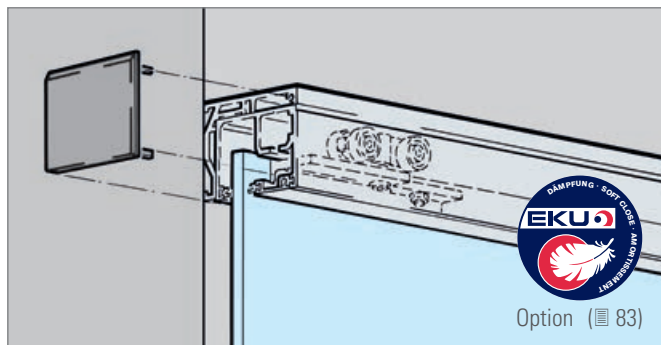
Clamping without machining of the glass (6 - 12,7 mm glass)



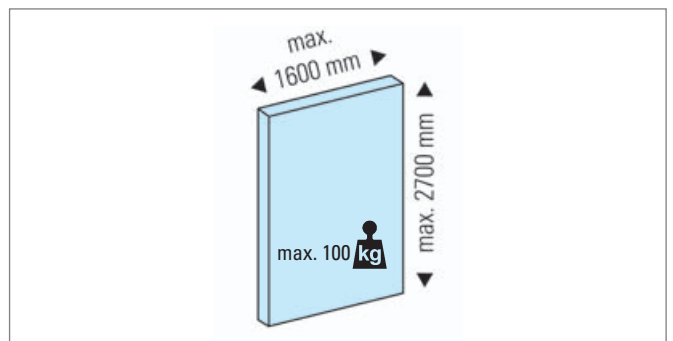
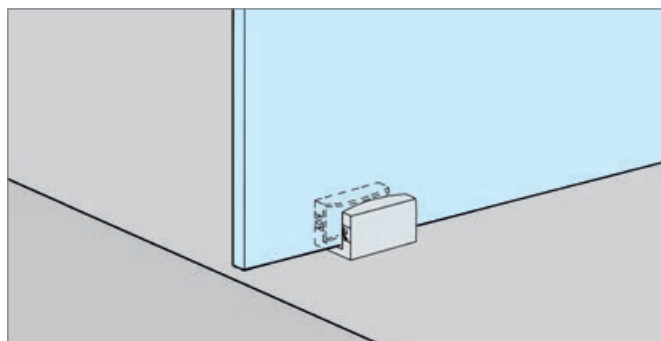
Playfree bottom guide (6 - 12,7 mm glass)



Variably adjustable retention spring

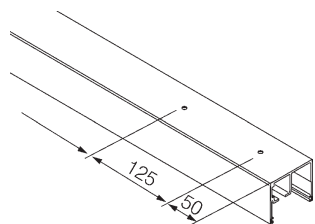


System: Running track, installation height 58 mm, surface mounted or flush with the ceiling, for 1 glass door up to 100 kg.



Accessories

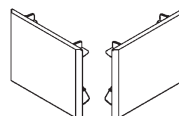
EKU PORTA 100 GW



69 x 58 mm

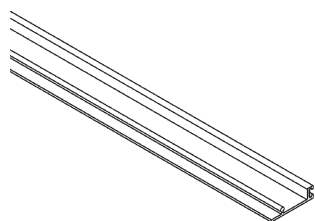
Running track,
aluminium anodized, pre-drilled

Art.no.	L
46.1110.500.46	5000 mm
46.1110.250.46	2500 mm
46.1110.999.46	cutted



End cap set for 46.1110...,
plastic anthracite

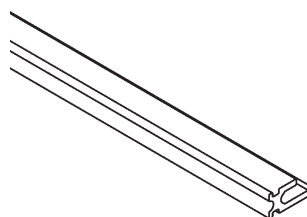
Art.no.
46.1180.000.46



30 x 8 mm

Panel profile,
aluminium anodized

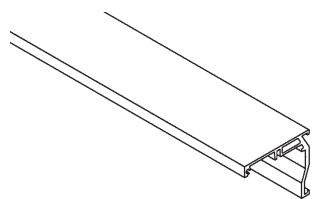
Art.no.	L
46.1140.500.46	5000 mm
46.1140.250.46	2500 mm
46.1140.999.46	cutted



10 x 5 mm

Screening seal,
black plastic, in rolls

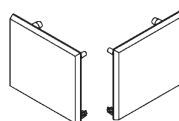
Art.no.	L
46.1170.020.00	20 m



78 x 67,5 mm

Wall mounting angle profile,
aluminium anodized, pre-drilled

Art.no.	L
46.1130.250.46	2500 mm
46.1130.999.46	cutted



End cap set for 46.1130...,
plastic anthracite

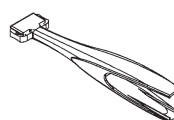
Art.no.
46.1185.000.46

incl.  for L ≤ 2500 mm



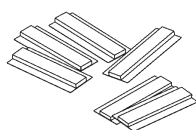
Screw set (12 pcs.)
for 46.1130... (L > 2500 mm)

Art.no.
46.1190.000.00



Track cleaner,
plastic

Art.no.
46.1210.000.00



Self-adhesive
sliders (6 pcs.)

Art.no.
46.1230.000.00

for glass 8 mm

Sliding glass door

EKU PORTA 100 GWF

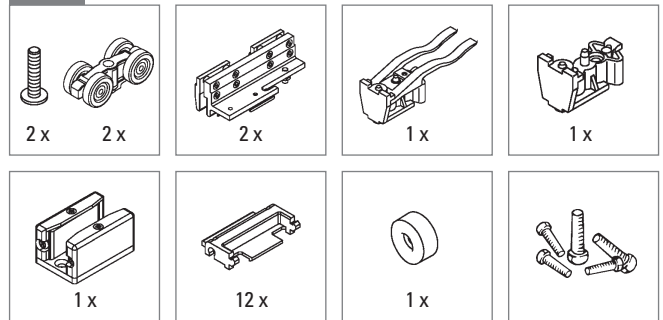


anodized

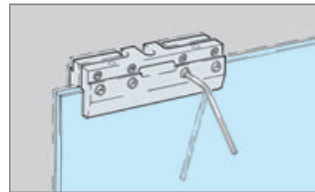
Art.no. glass
46.1100.000.46 8 - 12,7 mm

max.
100 kg

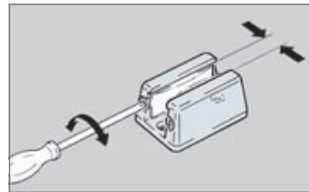
INFO Products



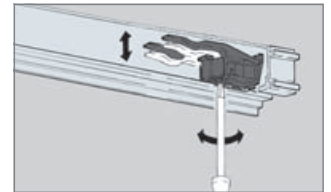
INFO Finish



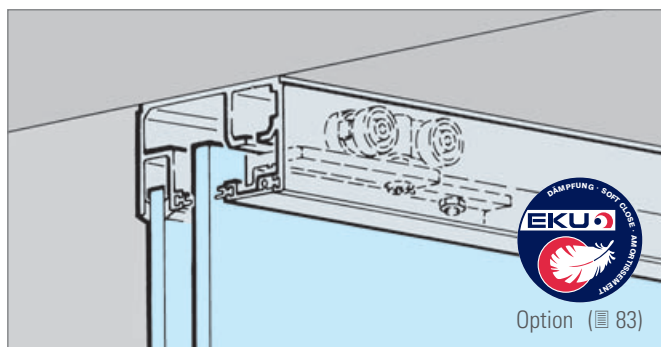
Clamping without machining of the glass (6 - 12,7 mm glass)



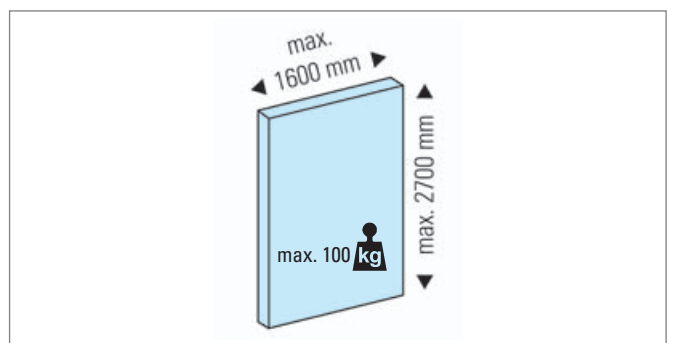
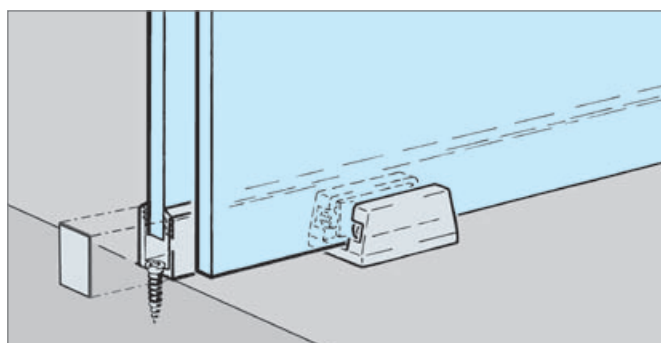
Playfree bottom guide (6 - 12,7 mm glass)



Variably adjustable retention spring

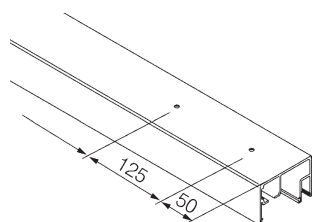


System: Running track with fixed glass support profile, installation height 58 mm, surface mounted or flush with the ceiling, for 1 glass door up to 100 kg.



Accessories

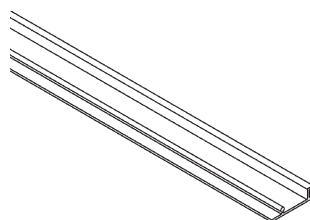
EKU PORTA 100 GWF



86 x 58 mm

Running track fixed glass,
aluminium anodized, pre-drilled

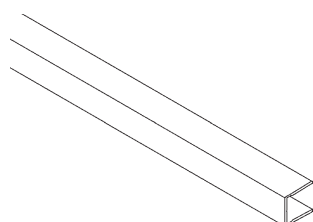
Art.no.	L
46.1120.500.46	5000 mm
46.1120.250.46	2500 mm
46.1120.999.46	cutted



30 x 8 mm

Panel profile,
aluminium anodized

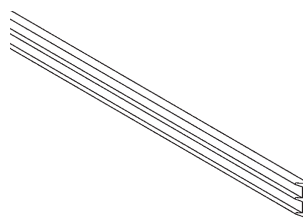
Art.no.	L
46.1140.500.46	5000 mm
46.1140.250.46	2500 mm
46.1140.999.46	cutted



15 x 15 mm

Front edge profile for 46.1120...,
aluminium anodized

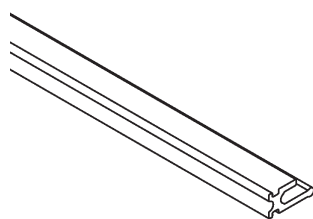
Art.no.	L
46.1150.500.46	5000 mm
46.1150.250.46	2500 mm
46.1150.999.46	cutted



Sealing profile,
black plastic, in rolls

Art.no.	L
46.1160.020.00	20 m

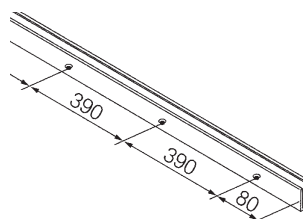
for glass 8 - 10 mm



10 x 5 mm

Screening seal,
black plastic, in rolls

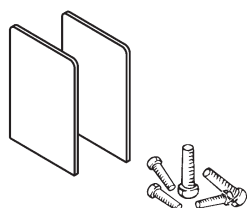
Art.no.	L
46.1170.020.00	20 m



30 x 20 mm

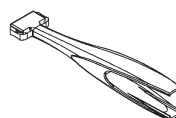
U-shaped guide track,
aluminium anodized, pre-drilled

Art.no.	L
46.1151.500.46	5000 mm
46.1151.250.46	2500 mm
46.1151.999.46	cutted



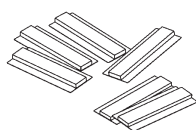
Assembly set
for 46.1151...

Art.no.
46.1152.000.00



Track cleaner,
plastic

Art.no.
46.1210.000.00



Self-adhesive
sliders (6 pcs.)

Art.no.
46.1230.000.00

for glass 8 mm

Sliding glass door

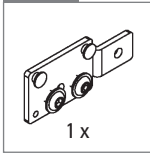
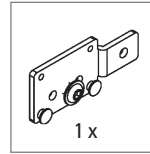
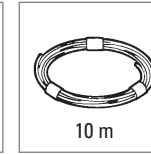
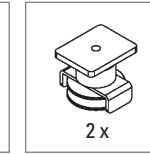

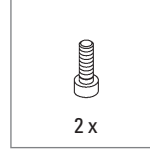
EKU PORTA 100 GW / GWF - Synchro

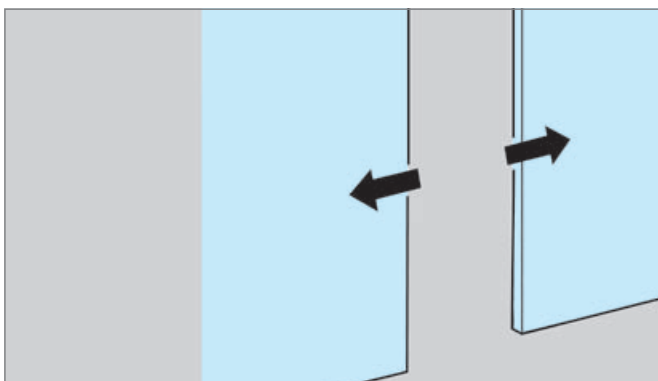
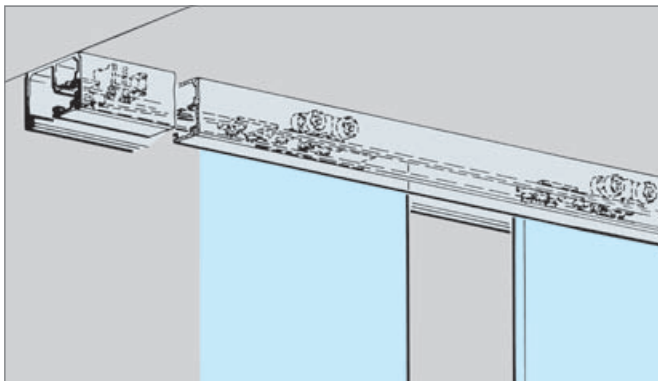
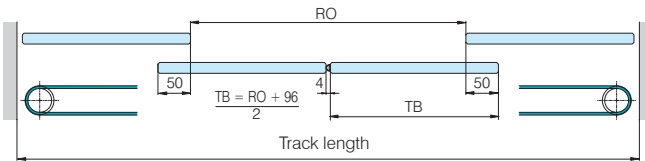
max.
100 kg



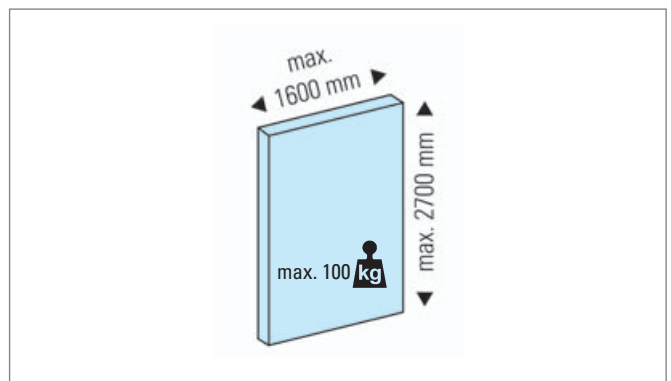
Art.no.	glass
46.1200.000.00	8 - 12,7 mm

INFO Products

 1 x	 1 x	 10 m	 2 x
 2,70 m	 2 x	Please order 2 sets 46.1100.000.46	



System: Synchro for 2 synchronized running glass doors with kevlar rope for 100 GW / GWF



Soft close

EKU PORTA 100 GW / GWF

max.
100 kg

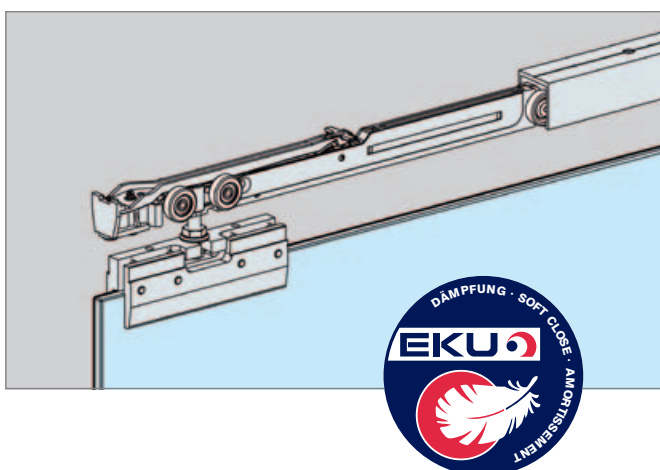
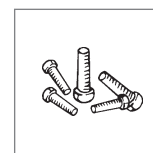
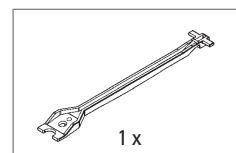
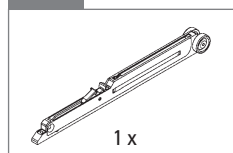
1



Art.no.

46.1220.000.00

INFO Products

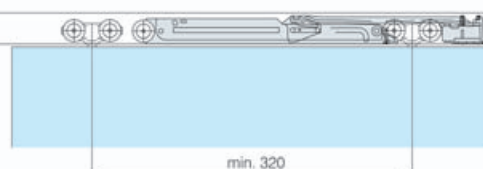


System: Soft and self closing system for quiet and gentle sliding comfort with top-running glass doors for EKU-PORTA 100 GW / GWF glass systems.

Design: Soft and self closing system integrated in the running track.

INFO Mounting

Soft closing in closing direction
1 x 46.1220.000.00



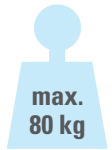
Soft closing in closing and opening direction
2 x 46.1220.000.00



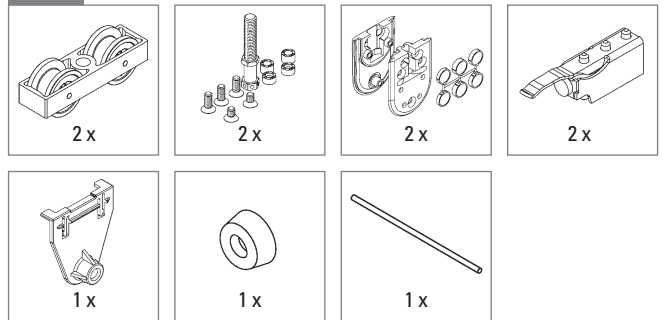
Sliding glass door



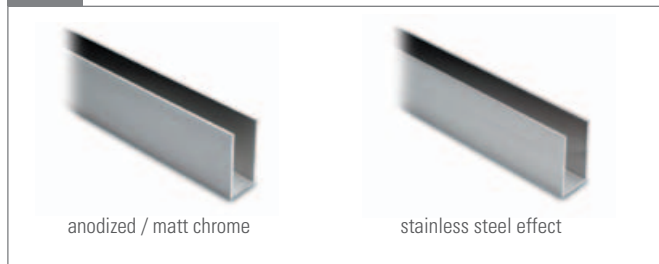
Art.no.	glass
46.1400.000.00	8 - 12,7 mm



INFO Products

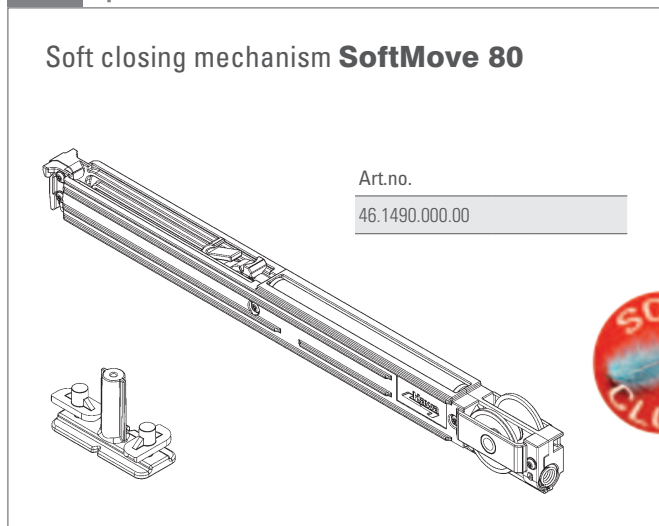


INFO Finishes

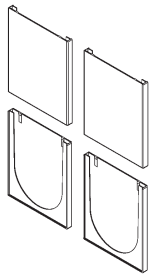


INFO optional

Soft closing mechanism **SoftMove 80**



Accessories



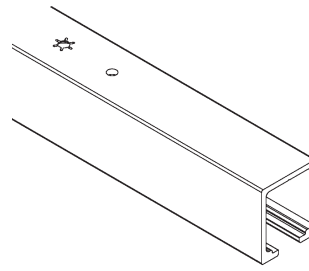
Cover cap set, square

matt chrome

Art.no.

46.1410.000.16

stainless steel effect: Art.no. 46 . . . 19



Running track, pre-drilled

plain anodized

Art.no.

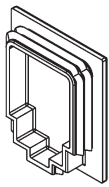
L

46.1420.500.46 5000 mm

46.1420.250.46 2500 mm

46.1420.999.46 cutted

stainless steel effect: Art.no. 46 . . . 19

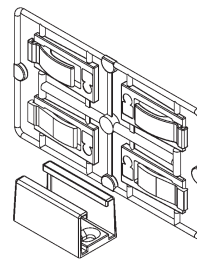


End cap for 46.1420...

anthracite grey

Art.no.

46.1430.000.36



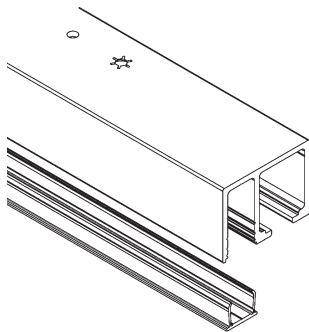
Door sliding guide

matt chrome

Art.no.

46.1440.000.16

stainless steel effect: Art.no. 46 . . . 19



Running track set fixed glass, pre-drilled

plain anodized

Art.no.

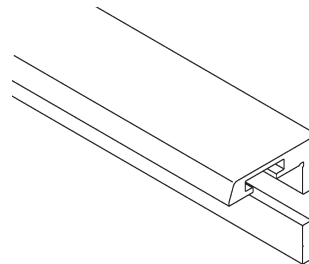
L

46.1450.500.46 5000 mm

46.1450.250.46 2500 mm

46.1450.999.46 cutted

stainless steel effect: Art.no. 46 . . . 19



Wall mounting angle profile

plain anodized

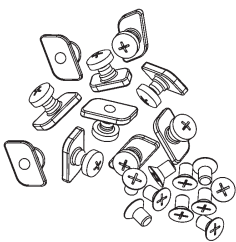
Art.no.

L

46.1460.500.46 5000 mm

46.1460.250.46 2500 mm

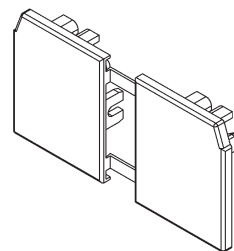
46.1460.999.46 cutted



Assembly set (10 pcs.) for 46.1460...

Art.no.

46.1470.000.00

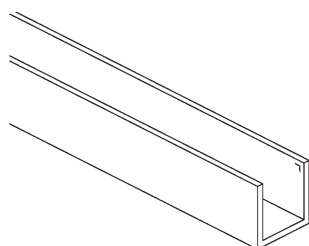


End caps (pair) for 46.1460...

anthracite grey

Art.no.

46.1480.000.36



U-channel profile, aluminium

matt anodized

Art.no.

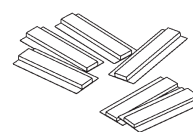
L

49.0900.202.46 5000 mm

49.8925.202.46 2500 mm

49.8900.202.46 cutted

stainless steel effect: Art.no. 49 . . . 19



Self-adhesive sliders (6 pcs.)

Art.no.

46.1230.000.00

for glass 8 mm

20 x 20 x 20 mm

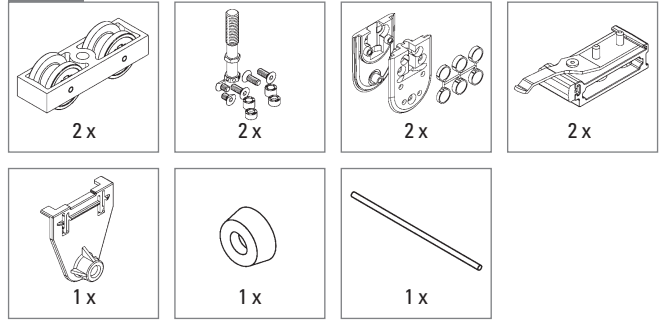
Sliding glass door



Art.no.	glass
46.1500.000.00	8 - 12,7 mm



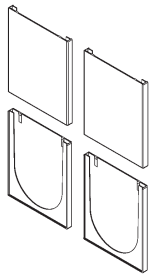
INFO Products



INFO Finishes



Accessories

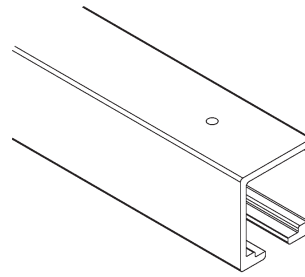


Cover cap set, square

matt chrome

Art.no.

46.1410.000.16



Running track, pre-drilled

plain anodized

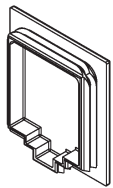
Art.no.

L

46.1520.500.46 5000 mm

46.1520.250.46 2500 mm

46.1520.999.46 cutted

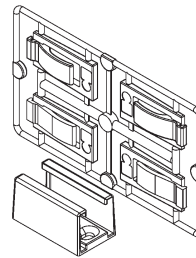


End cap for 46.1520...

anthracite grey

Art.no.

46.1530.000.36

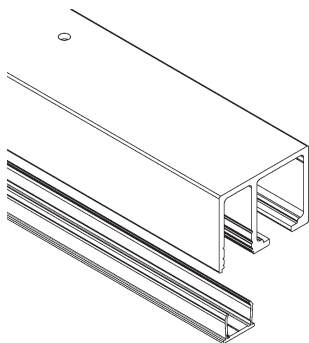


Door sliding guide

matt chrome

Art.no.

46.1440.000.16



Running track set fixed glass, pre-drilled

plain anodized

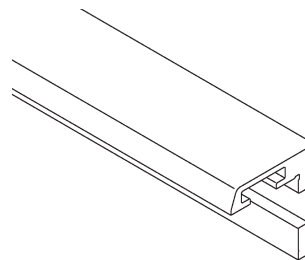
Art.no.

L

46.1550.500.46 5000 mm

46.1550.250.46 2500 mm

46.1550.999.46 cutted



Wall mounting angle profile

plain anodized

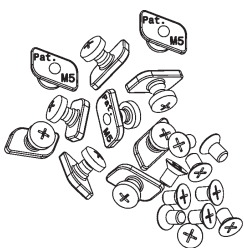
Art.no.

L

46.1560.500.46 5000 mm

46.1560.250.46 2500 mm

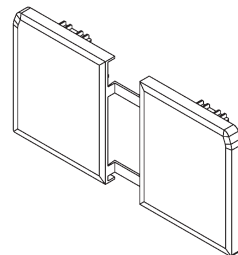
46.1560.999.46 cutted



Assembly set (20 pcs.) for 46.1560...

Art.no.

46.1570.000.00

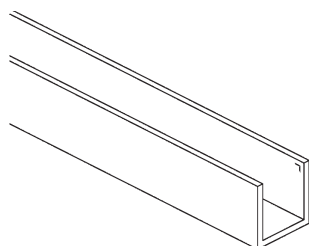


End caps (pair) for 46.1560...

anthracite grey

Art.no.

46.1580.000.36



U-channel profile, aluminium

matt anodized

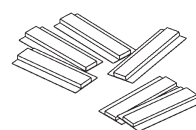
Art.no.

L

49.0900.202.46 5000 mm

49.8925.202.46 2500 mm

49.8900.202.46 cutted



Self-adhesive sliders (6 pcs.)

Art.no.

46.1230.000.00

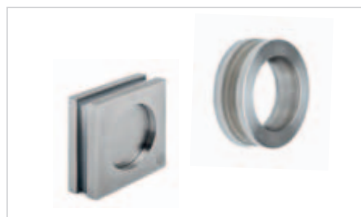
for glass 8 mm

20 x 20 x 20 mm





2 Door handles 90



2 Recessed grips 98



2 Door knobs 99



2 Door locks 100


Door handle - 51

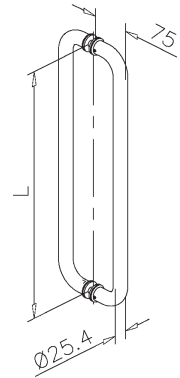
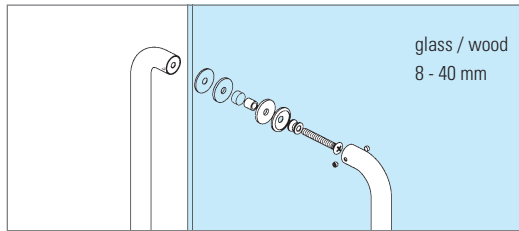
NEW



double-sided

Stainless steel design

Ø	Art.no.	L	
25,4 mm	47.5100.300.12	300 mm	1
25,4 mm	47.5100.500.12	500 mm	1
25,4 mm	47.5100.700.12	700 mm	1




Door handle - 52

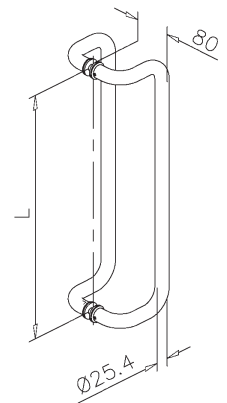
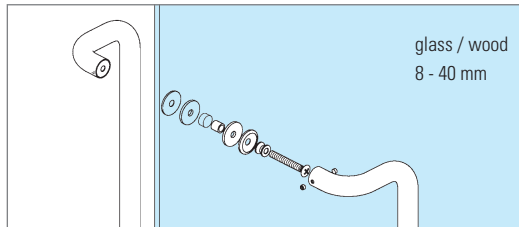
NEW



90° - double-sided

Stainless steel design

Ø	Art.no.	L	
25,4 mm	47.5200.300.12	300 mm	1
25,4 mm	47.5200.500.12	500 mm	1
25,4 mm	47.5200.700.12	700 mm	1




Door handle - 53

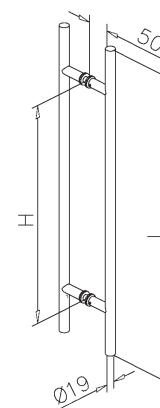
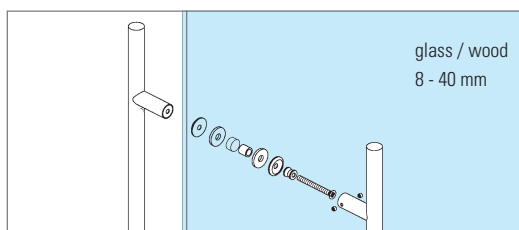
NEW



double-sided

Stainless steel design

Ø	Art.no.	L	H	
19,0 mm	47.5303.019.12	300 mm	200 mm	1
19,0 mm	47.5305.019.12	500 mm	300 mm	1
19,0 mm	47.5307.019.12	700 mm	500 mm	1




Door handle - 54

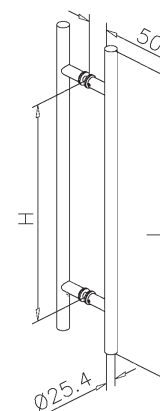
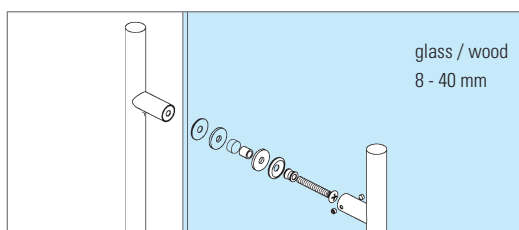
NEW



double-sided

Stainless steel design

Ø	Art.no.	L	H	
25,4 mm	47.5405.025.12	500 mm	300 mm	1
25,4 mm	47.5407.025.12	700 mm	500 mm	1
25,4 mm	47.5410.025.12	1000 mm	800 mm	1



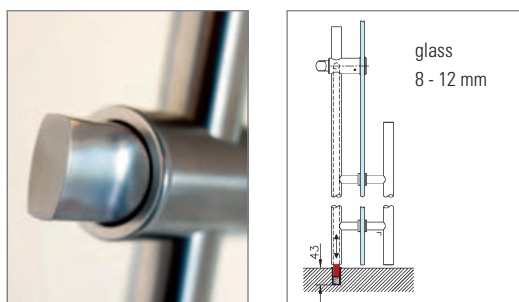
Door handle - 201



with lock system - double-sided

Stainless steel design

Art.no.	
47.0201.025.12	1



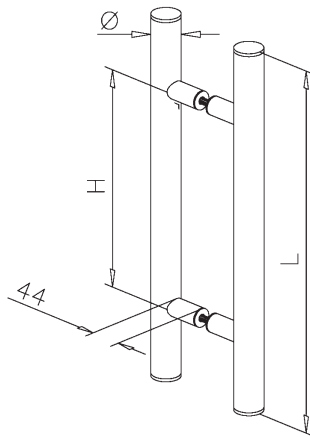
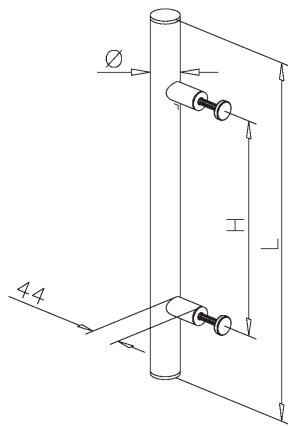
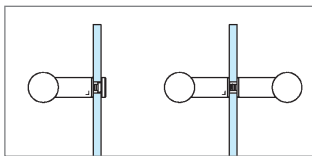
Door handles according to your wishes

Create your own completely custom door handle. You can select from many different materials, sizes, 1-sided or 2 and different finishes. And you will of course also set the dimensions!

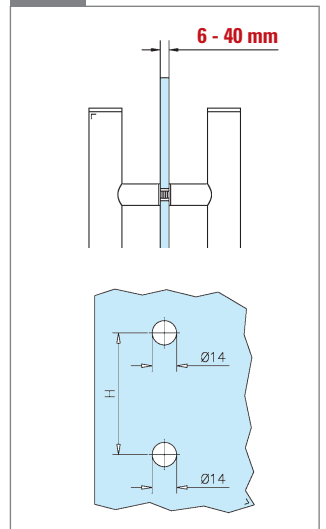
2



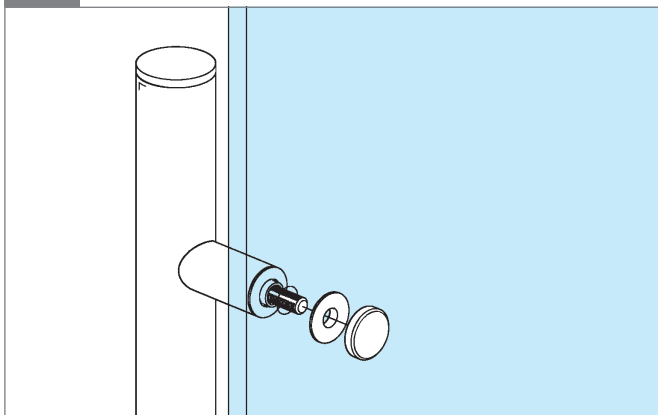
Adapter 90°



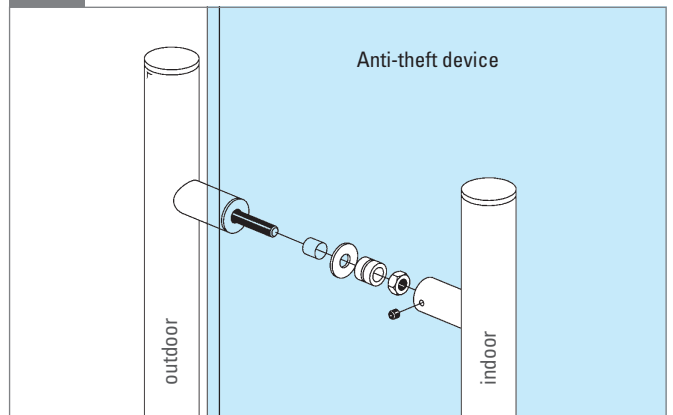
INFO glass / wood



INFO one-sided

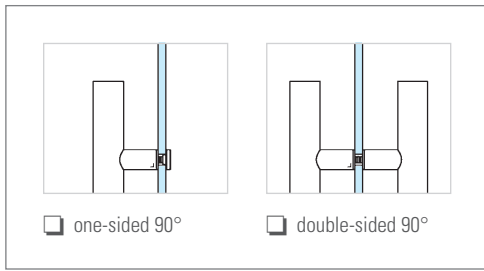


INFO double-sided



Proposal inquiry

2



- Stainless steel design
- Chrome design
- Brass design

Pieces:

1

Flat end caps

- Ø 19,0 mm
- Ø 25,4 mm
- Ø 38,1 mm
- Ø 50,8 mm

4

End caps 45°

- Ø 19,0 mm
- Ø 25,4 mm
- Ø 38,1 mm
- Ø 50,8 mm

2

Domed end caps

- Ø 25,4 mm
- Ø 38,1 mm
- Ø 50,8 mm

3

Arched end caps

- Ø 19,0 mm
- Ø 25,4 mm
- Ø 38,1 mm
- Ø 50,8 mm

5

Ball tops

- Ø 25,4 mm
- Ø 38,1 mm

L: _____ mm

L ≤ 1500 mm

L > 1500 mm

H: _____ mm

1

H max.
 Ø 19,0: L - 35 mm
 Ø 25,4: L - 50 mm
 Ø 38,1: L - 50 mm
 Ø 50,8: L - 60 mm

2

H max.
 Ø 25,4: L - 70 mm
 Ø 38,1: L - 80 mm
 Ø 50,8: L - 100 mm

3

H max.
 Ø 19,0: L - 40 mm
 Ø 25,4: L - 50 mm
 Ø 38,1: L - 60 mm
 Ø 50,8: L - 60 mm

4

H max.
 Ø 19,0: L - 90 mm
 Ø 25,4: L - 100 mm
 Ø 38,1: L - 135 mm
 Ø 50,8: L - 160 mm

5

H max.
 Ø 25,4: L - 180 mm
 Ø 38,1: L - 250 mm

Sender

Name _____

Telephone _____

Company _____

Fax _____

Street _____

E-Mail _____

Postcode, town _____

Door handles with a difference

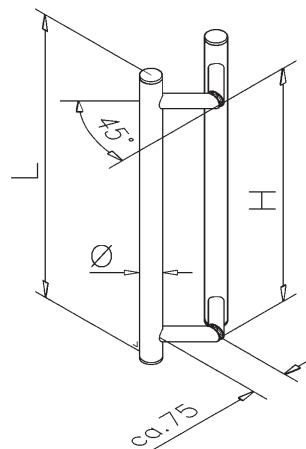
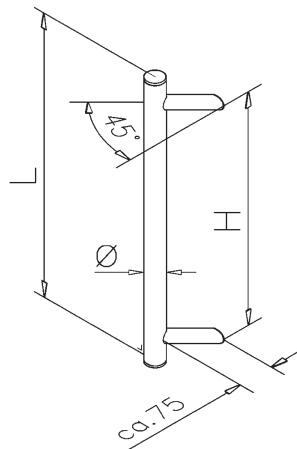
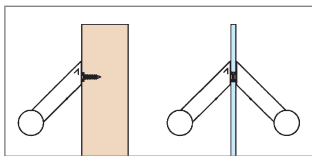
If you want an even more customised solution, then the 45° design door handles are just right for you. With this option too, you can select from many different materials, sizes, 1-sided or 2 and different finishes.

And you also get to set the dimensions yourself!

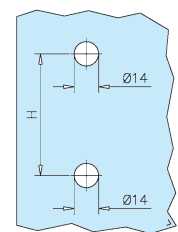
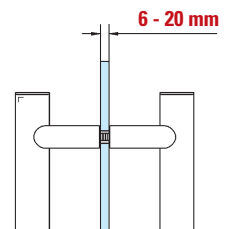
2



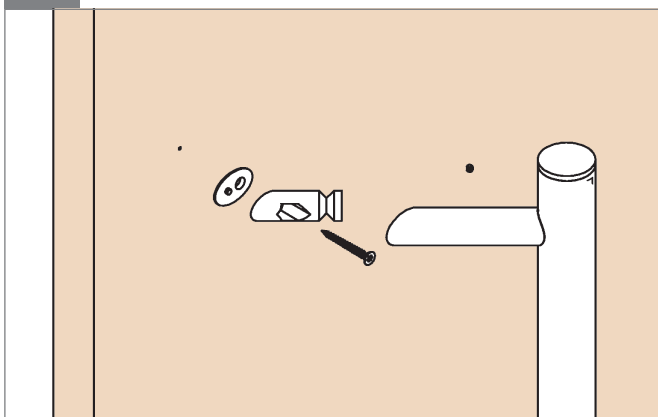
Adapter 45°



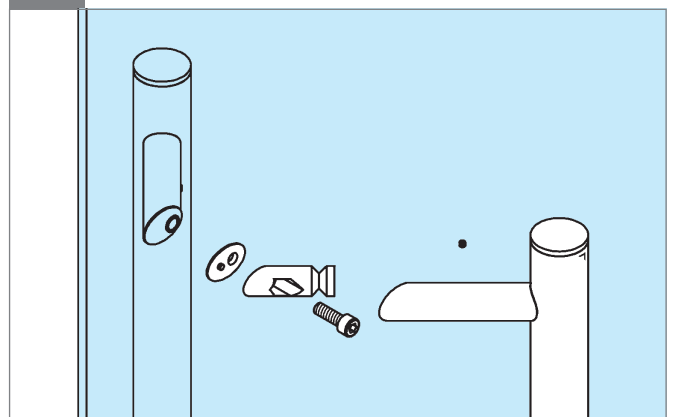
INFO glass / wood



INFO one-sided

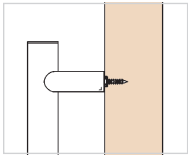


INFO double-sided

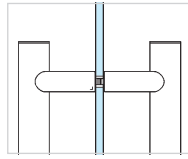


Proposal inquiry

2



one-sided 45°



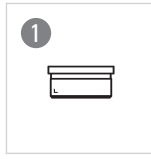
double-sided 45°

Stainless steel design

Chrome design


Pieces:

1




- Flat end caps
- Ø 25,4 mm
- Ø 38,1 mm

2



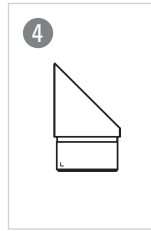
- Domed end caps
- Ø 25,4 mm
- Ø 38,1 mm

3



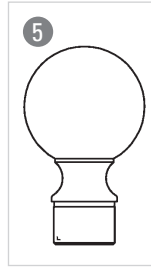
- Arched end caps
- Ø 25,4 mm
- Ø 38,1 mm

4



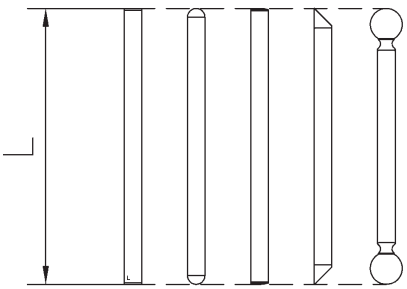
- End caps 45°
- Ø 25,4 mm
- Ø 38,1 mm

5

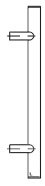


- Ball tops
- Ø 25,4 mm
- Ø 38,1 mm


L: _____ mm



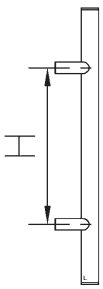
L ≤ 1500 mm




L > 1500 mm




H: _____ mm




1




2



3



4



5

H max.
Ø 25,4: L - 50 mm
Ø 38,1: L - 50 mm

H max.
Ø 25,4: L - 70 mm
Ø 38,1: L - 80 mm

H max.
Ø 25,4: L - 50 mm
Ø 38,1: L - 60 mm

H max.
Ø 25,4: L - 100 mm
Ø 38,1: L - 135 mm

H max.
Ø 25,4: L - 180 mm
Ø 38,1: L - 250 mm

Sender

Name _____

Telephone _____

Company _____

Fax _____

Street _____

E-Mail _____

Postcode, town _____

Door handles

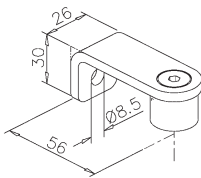
Door handles according to your wishes

- Stainless steel design -

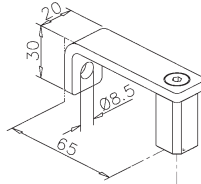
NEW



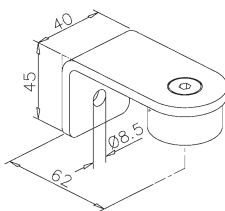
Ø 25,4 mm



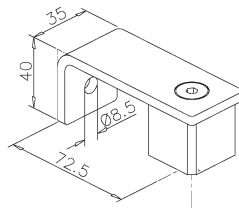
□ 20 x 20 mm



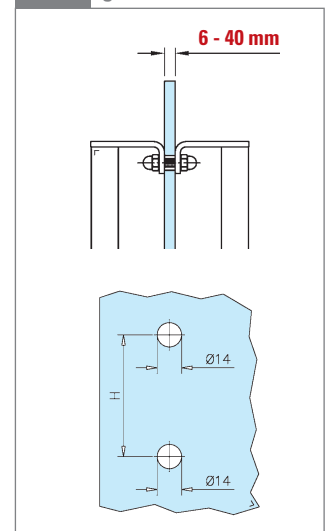
Ø 38,1 mm



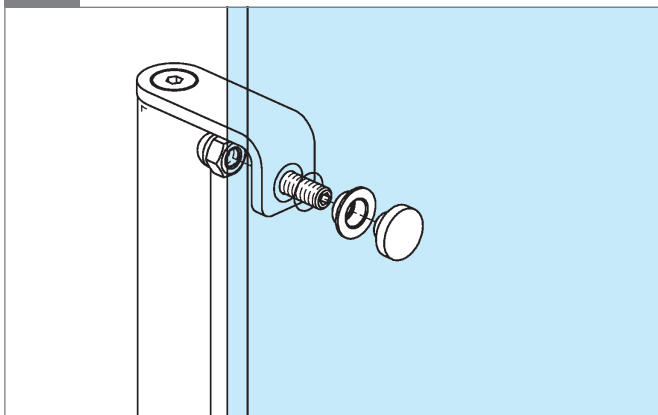
□ 35 x 35 mm



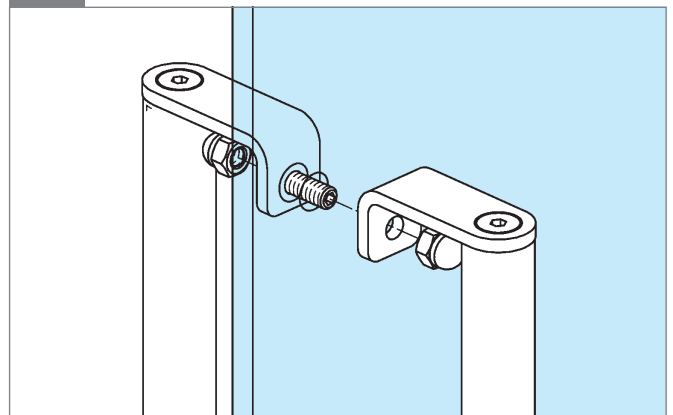
INFO glass / wood



INFO one-sided



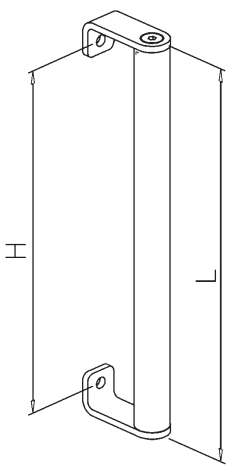
INFO double-sided



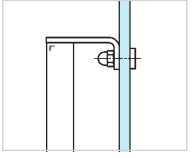
Proposal inquiry

2

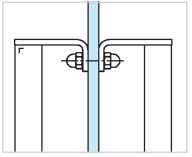
Ø 25,4 mm



H = L - 40 mm



one-sided

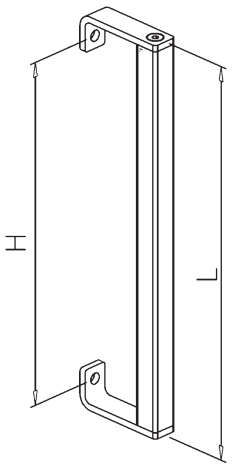


double-sided

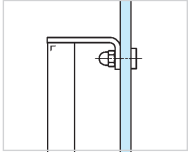
L: _____ mm

Pieces:

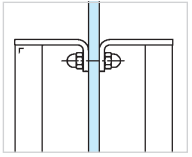
20 x 20 mm



H = L - 40 mm



one-sided

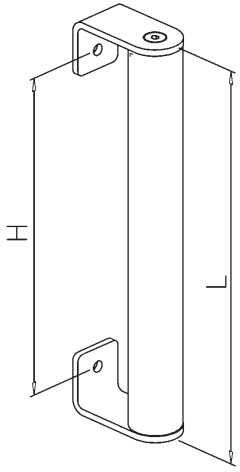


double-sided

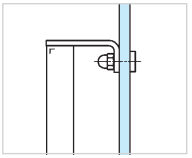
L: _____ mm

Pieces:

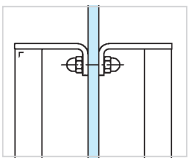
Ø 38,1 mm



H = L - 60 mm



one-sided

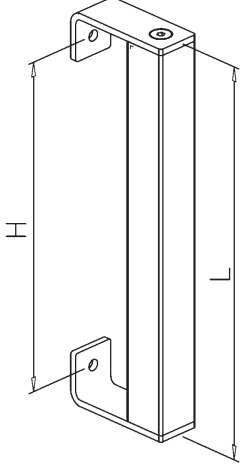


double-sided

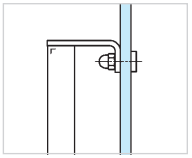
L: _____ mm

Pieces:

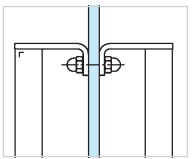
35 x 35 mm



H = L - 50 mm



one-sided



double-sided

L: _____ mm

Pieces:

Sender

Name

Company

Street

Postcode, town

Telephone

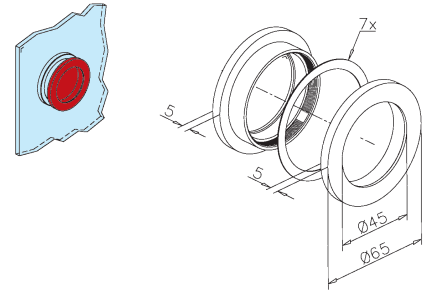
Fax

E-Mail

Recessed grip - 103



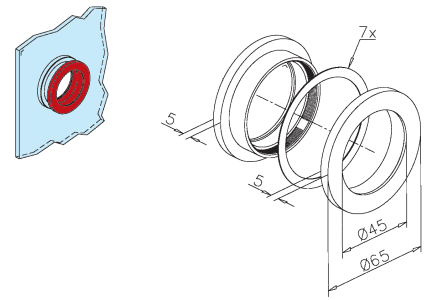
Art.no.	Art.no.	glass	
47.0103.065.12	47.0103.065.10	8 - 12 mm	2



Open recessed grip - 104



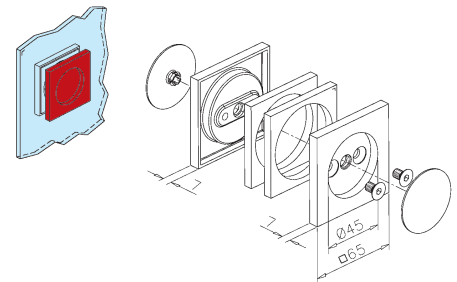
Art.no.	Art.no.	glass	
47.0104.065.12	47.0104.065.10	8 - 12 mm	2



Square recessed grip - 4103



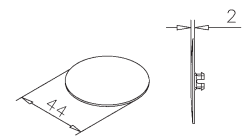
Art.no.	Art.no.	glass	
47.4103.465.12	47.4103.465.10	8 - 12 mm	2



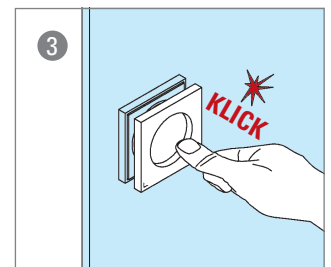
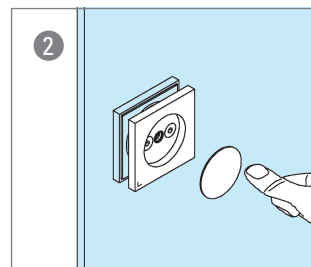
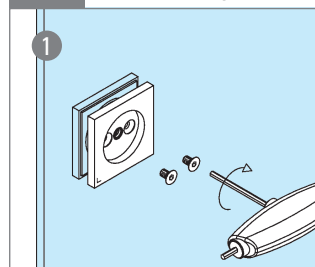
Cover caps for square recessed grip



Art.no.	colour	
19.7006.044.20	Protectan, stainless steel effect	2
19.7006.044.23	Protectan, chrome effect polished	2
19.7006.044.31	jet black, RAL 9005	2
19.7006.044.34	signal red, RAL 3001	2
19.7006.044.35	gentian blue, RAL 5010	2



INFO 47.4103.465... / 19.7006.044...




Door knob - 101

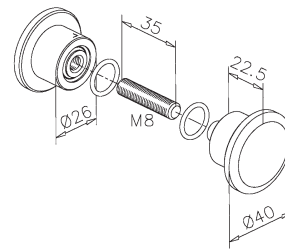


double-sided

Stainless steel design

Chrome design

Art.no.	Art.no.	glass	
47.0101.040.12	47.0101.040.10	8 - 12 mm	1



Door knob - 102

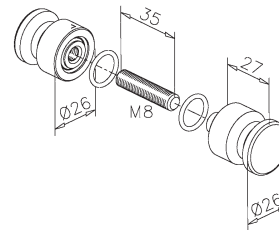


double-sided

Stainless steel design

Chrome design

Art.no.	Art.no.	glass	
47.0102.025.12	47.0102.025.10	8 - 12 mm	2



Door knob - 105

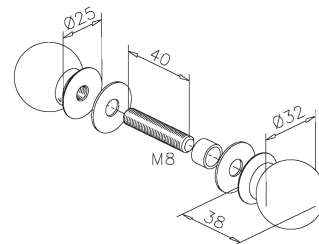


double-sided

Stainless steel design

Chrome design

Art.no.	Art.no.	glass	
47.0105.032.12	47.0105.032.10	8 - 12 mm	1




Door knob - 106

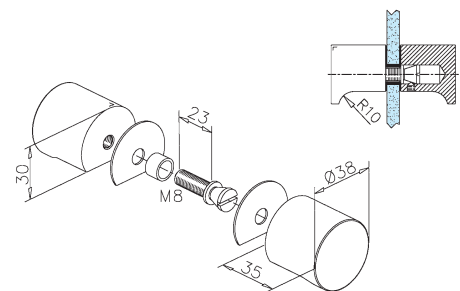


double-sided

Stainless steel design

Chrome design

Art.no.	Art.no.	glass	
47.0106.038.12	47.0106.038.10	8 - 12 mm	1



Door lock - 2210 / 002

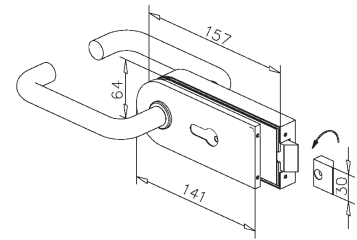


with handles

Stainless steel design

Chrome design

Art.no.	Art.no.	glass	
45.2210.002.12	45.2210.002.10	8 - 10 mm	1



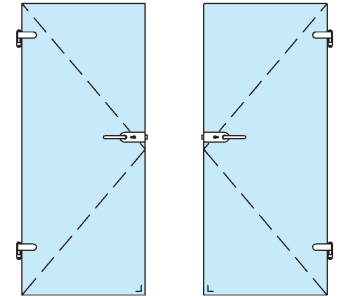
Door lock - 2210 / 902



Stainless steel design

Chrome design

Art.no.	Art.no.	glass	
45.2210.902.12	45.2210.902.10	8 - 10 mm	1




Latch - 2210 / 001

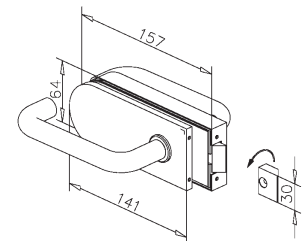


with handles

Stainless steel design

Chrome design

Art.no.	Art.no.	glass	
45.2210.001.12	45.2210.001.10	8 - 10 mm	1




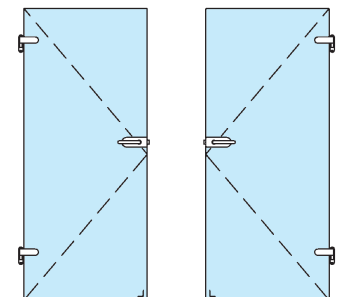
Latch - 2210 / 901



Stainless steel design

Chrome design

Art.no.	Art.no.	glass	
45.2210.901.12	45.2210.901.10	8 - 10 mm	1

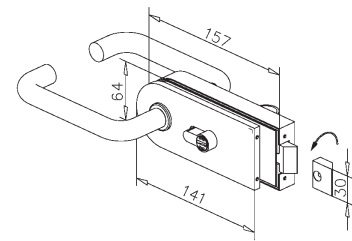


Door lock - 2210 / 003



for lavatory, with handles

Stainless steel design	Chrome design		
Art.no.	Art.no.	glass	
45.2210.003.12	45.2210.003.10	8 - 10 mm	1

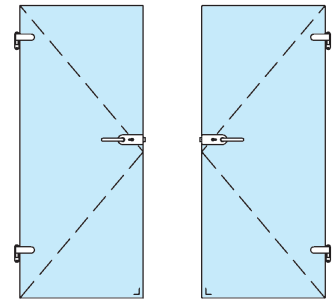


Door lock - 2210 / 903



for lavatory

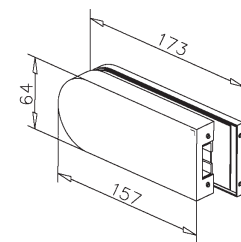
Stainless steel design	Chrome design		
Art.no.	Art.no.	glass	
45.2210.903.12	45.2210.903.10	8 - 10 mm	1



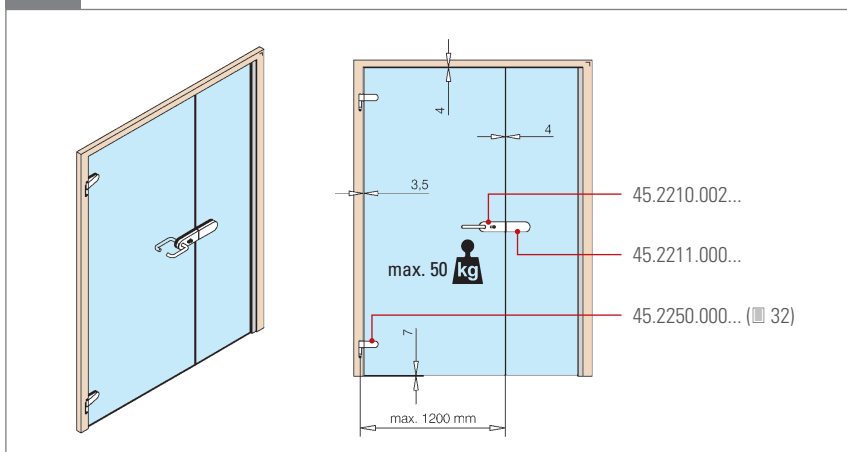
Strike box - 2211



Stainless steel design	Chrome design		
Art.no.	Art.no.	glass	
45.2211.000.12	45.2211.000.10	8 - 10 mm	1




INFO 45.2210...

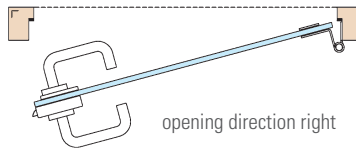
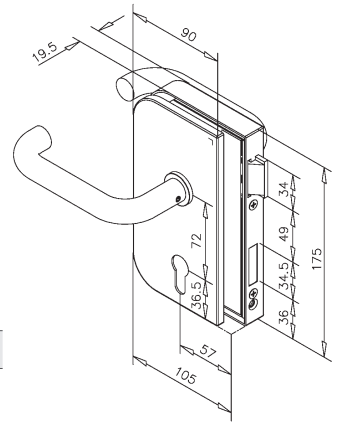


Door lock - 2920 / 002



with handles
opening direction right


Stainless steel design	Chrome design	glass	
Art.no. 45.2920.002.12	Art.no. 45.2920.002.10	8 - 12 mm	1

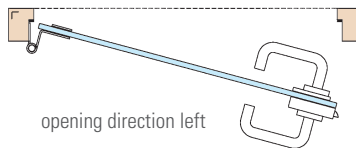
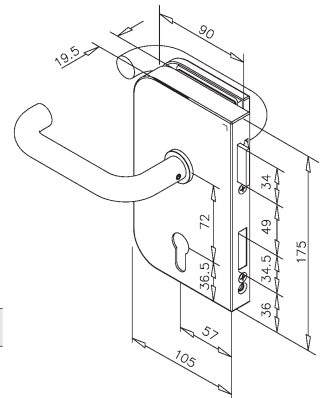


Door lock - 2910 / 002



with handles
opening direction left


Stainless steel design	Chrome design	glass	
Art.no. 45.2910.002.12	Art.no. 45.2910.002.10	8 - 12 mm	1

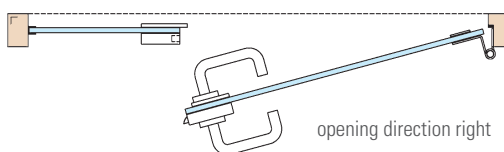
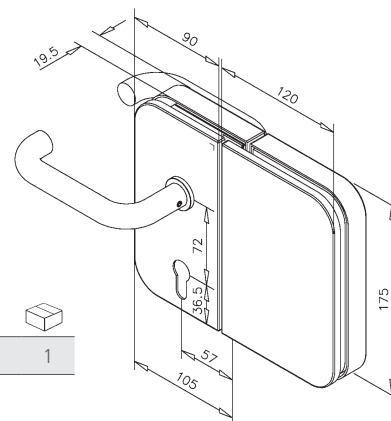


Door lock - 2920 / 005



with handles and strike box
opening direction right


Stainless steel design	Chrome design	glass	
Art.no. 45.2920.005.12	Art.no. 45.2920.005.10	8 - 12 mm	1

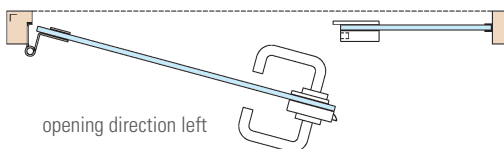
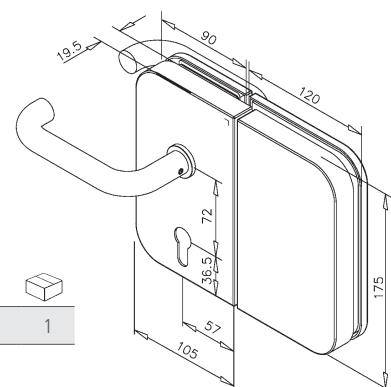


Door lock - 2910 / 005



with handles and strike box
opening direction left

Stainless steel design	Chrome design	glass	
Art.no. 45.2910.005.12	Art.no. 45.2910.005.10	8 - 12 mm	1



Profile double cylinder 31/31 mm

DIN
EN 1303




matt nickel-plated, with 3 keys

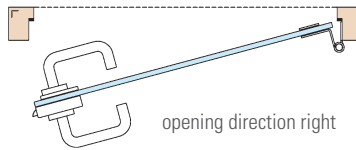
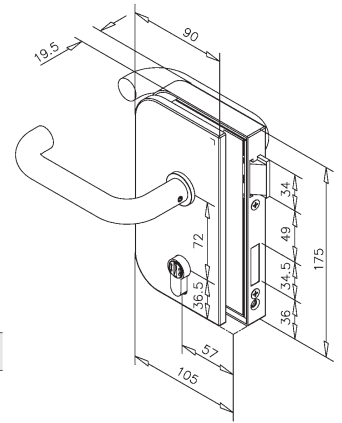
Art.no.	
45.2710.908.12	1

Door lock - 2920 / 003



for lavatory, with handles
opening direction right


Stainless steel design	Chrome design	glass	
Art.no.	Art.no.		
45.2920.003.12	45.2920.003.10	8 - 12 mm	1

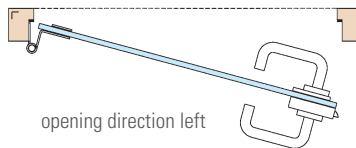
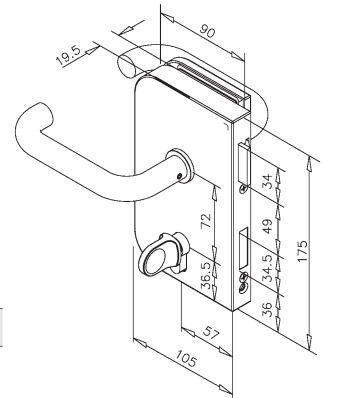


Door lock - 2910 / 003



for lavatory, with handles
opening direction left


Stainless steel design	Chrome design	glass	
Art.no.	Art.no.		
45.2910.003.12	45.2910.003.10	8 - 12 mm	1

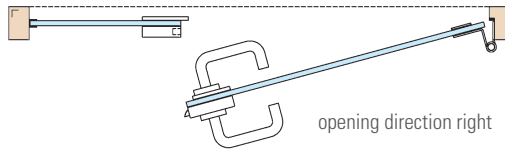
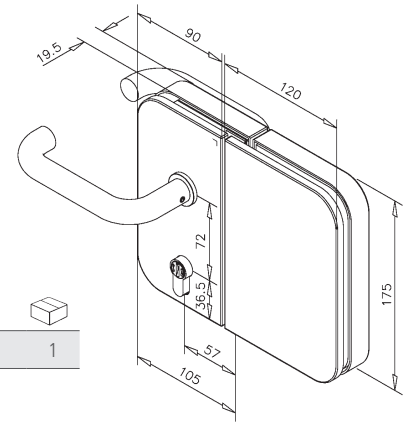


Door lock - 2920 / 006



for lavatory, with handles and strike box
opening direction right


Stainless steel design	Chrome design	glass	
Art.no. 45.2920.006.12	Art.no. 45.2920.006.10	8 - 12 mm	1

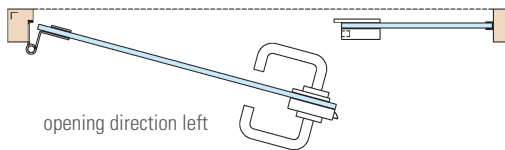
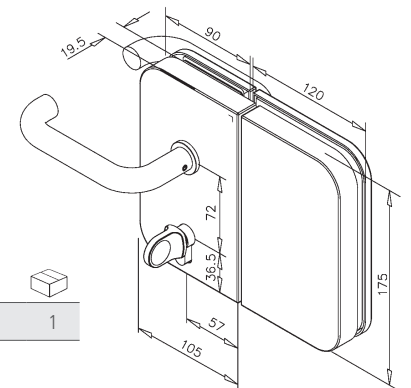


Door lock - 2910 / 006



for lavatory, with handles and strike box
opening direction left

Stainless steel design	Chrome design	glass	
Art.no. 45.2910.006.12	Art.no. 45.2910.006.10	8 - 12 mm	1



3



Partition wall and projecting roof systems



3 Partition walls 108



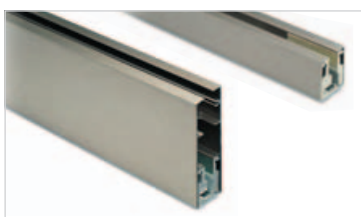
3 Glass clamps 112



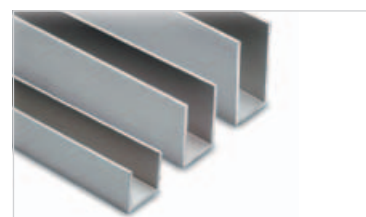
3 Connectors 114



3 Projecting roof systems 116



3 Partition wall profiles 118



3 Aluminium profiles 122

Partition wall - 4100



Aluminium stainless steel effect (L 5000 mm)

Aluminium silver matt anodized (L 5000 mm)

Aluminium polished (L 2500 mm)

Glass 8 / 8,7 / 10 / 10,7 mm

3

Glass 8 / 8,7 mm

stainless steel effect

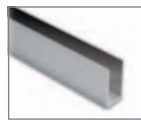
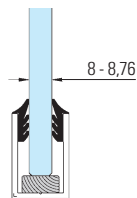
Art.no. 29.4100.008.19

silver matt anodized

Art.no. 29.4100.008.46

polished

Art.no. 29.4100.008.48



1 x 49.0900.402...
(■ 122)

polished:
1 x 49.8925.402.48
(■ 122)



2 x 19.7030.008.00
(■ 123)

polished:
1 x 19.7030.008.00
(■ 123)



1 x 19.7040.040.00
(■ 123)



1 x 48.5680.122.00
(■ 123)



1 x 48.5680.126.00
(■ 123)

Glass 10 / 10,7 mm

stainless steel effect

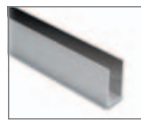
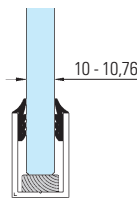
Art.no. 29.4100.010.19

silver matt anodized

Art.no. 29.4100.010.46

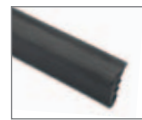
polished

Art.no. 29.4100.010.48



1 x 49.0900.402...
(■ 122)

polished:
1 x 49.8925.402.48
(■ 122)



2 x 19.7030.010.00
(■ 123)

polished:
1 x 19.7030.010.00
(■ 123)



1 x 19.7040.040.00
(■ 123)



1 x 48.5680.122.00
(■ 123)



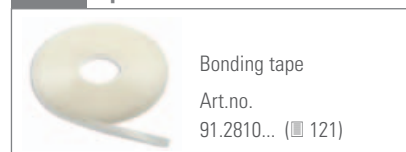
1 x 48.5680.126.00
(■ 123)

INFO Mounting



Lining tool
"Thumber"
Art.no.
91.2900.000.00 (■ 311)

INFO optional

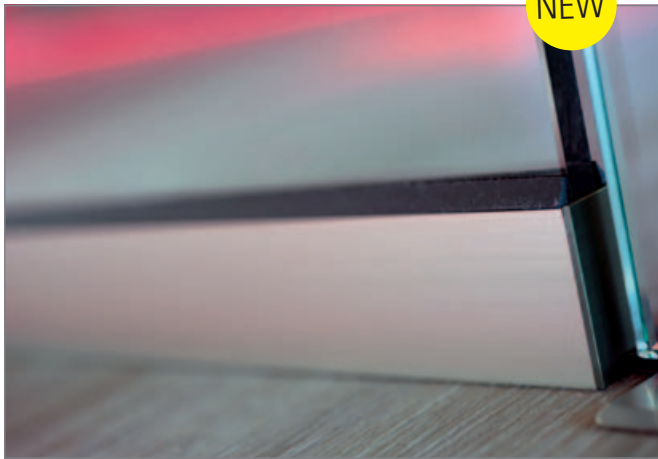


Bonding tape
Art.no.
91.2810... (■ 121)

For further details visit: www.g-fittings.com

Partition wall - 4102

NEW



Aluminium stainless steel effect (L 5000 mm)

Aluminium silver matt anodized (L 5000 mm)

Aluminium raw (L 5000 mm)

Glass 12 / 12,7 / 16,7 / 17,5 mm

Glass 12 / 12,7 mm

stainless steel effect

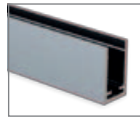
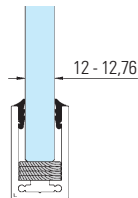
Art.no. 29.4102.012.19

silver matt anodized

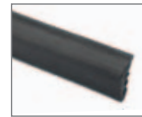
Art.no. 29.4102.012.46

raw

Art.no. 29.4102.012.00



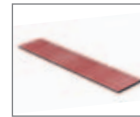
1 x 49.0900.425...
(120)



2 x 19.7030.010.00
(121)



1 x 19.7040.042.00
(121)



1 x 48.5680.182.00
(121)

Glass 16,7 / 17,5 mm

stainless steel effect

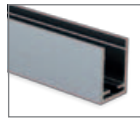
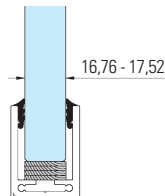
Art.no. 29.4102.016.19

silver matt anodized

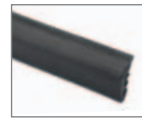
Art.no. 29.4102.016.46

raw

Art.no. 29.4102.016.00



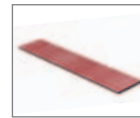
1 x 49.0900.403...
(120)



2 x 19.7030.010.00
(121)

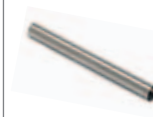


1 x 19.7040.043.00
(121)



1 x 48.5680.182.00
(121)

INFO optional



Centering-coupling pin
Art.no. 93.1010.330.00 (121)

INFO Mounting



Lining tool
"Thumber"
Art.no. 91.2900.000.00 (311)

INFO optional



Bonding tape
Art.no. 91.2810... (121)

For further details visit: www.g-fittings.com

Partition wall - 4101



Aluminium stainless steel effect (L 5000 mm)

Aluminium silver matt anodized (L 5000 mm)

Glass 8 / 8,7 / 10 / 10,7 / 12 / 12,7 mm

3

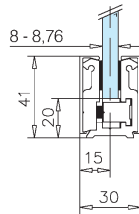
Glass 8 / 8,7 mm

stainless steel effect

Art.no. 29.4101.108.19

silver matt anodized

Art.no. 29.4101.108.46



1 x 40.4208.500...
(■ 118)



1 x 40.4200.010...
(■ 119)

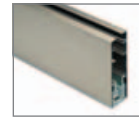
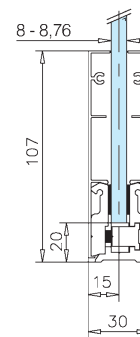
Glass 8 / 8,7 mm

stainless steel effect

Art.no. 29.4101.208.19

silver matt anodized

Art.no. 29.4101.208.46



1 x 40.4308.500...
(■ 118)



1 x 40.4300.010...
(■ 119)

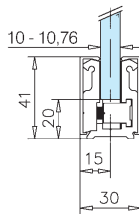
Glass 10 / 10,7 mm

stainless steel effect

Art.no. 29.4101.110.19

silver matt anodized

Art.no. 29.4101.110.46



1 x 40.4210.500...
(■ 118)



1 x 40.4200.010...
(■ 119)

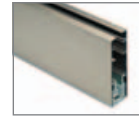
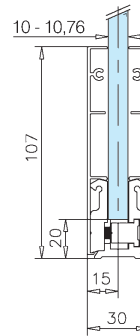
Glass 10 / 10,7 mm

stainless steel effect

Art.no. 29.4101.210.19

silver matt anodized

Art.no. 29.4101.210.46



1 x 40.4310.500...
(■ 118)



1 x 40.4300.010...
(■ 119)

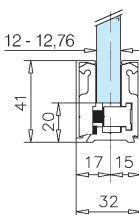
Glass 12 / 12,7 mm

stainless steel effect

Art.no. 29.4101.112.19

silver matt anodized

Art.no. 29.4101.112.46



1 x 40.4212.500...
(■ 118)



1 x 40.4200.012...
(■ 119)

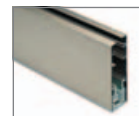
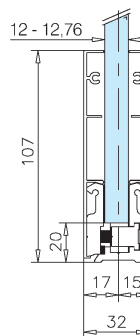
Glass 12 / 12,7 mm

stainless steel effect

Art.no. 29.4101.212.19

silver matt anodized

Art.no. 29.4101.212.46



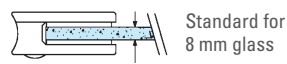
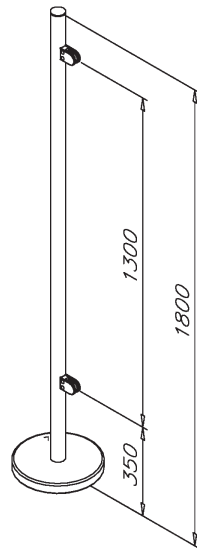
1 x 40.4312.500...
(■ 118)



1 x 40.4300.012...
(■ 119)

For further details visit: www.g-fittings.com

Partition wall post - 810



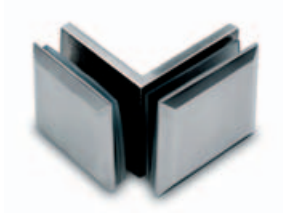
INFO Partition wall post - 810

- 11.0732.050... (■ 288)
- 11/12.8900.050... (■ 257)
- 10.2208.050... (■ 160)

Ø	Art.no.	Art.no.	Art.no.	Art.no.	Art.no.	Stainless steel design	Chrome design	Brass design
50,8 mm (2")	20.8101.050...	20.8102.050...	20.8103.050...	20.8104.050...	20.8105.050...	...20	...23	...22

⇨ production according to order
⇨ other dimensions possible

Glass clamp - 4012 / 090

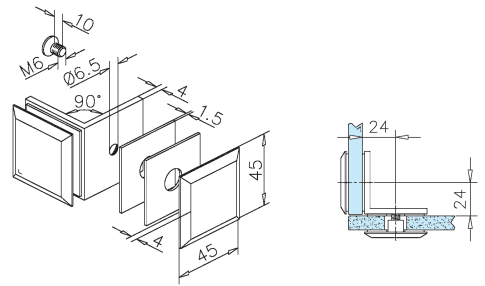


glass/glass

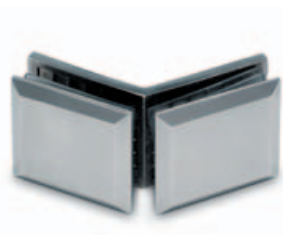
Stainless steel design

Chrome design

Art.no.	Art.no.	glass	
40.4012.090.12	40.4012.090.10	8 - 12 mm	1



Glass clamp - 4012 / 135

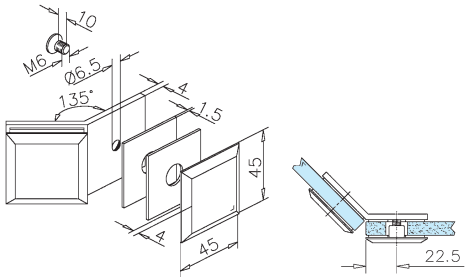


glass/glass

Stainless steel design

Chrome design

Art.no.	Art.no.	glass	
40.4012.135.12	40.4012.135.10	8 - 12 mm	1



Glass clamp - 4012 / 180

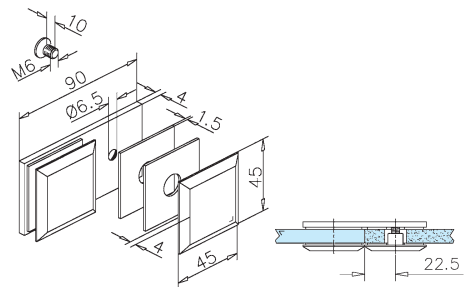


glass/glass

Stainless steel design

Chrome design

Art.no.	Art.no.	glass	
40.4012.180.12	40.4012.180.10	8 - 12 mm	1



Glass clamp - 4112

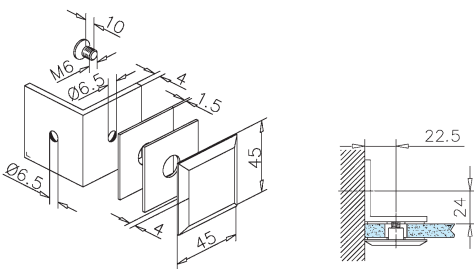


glass/wall

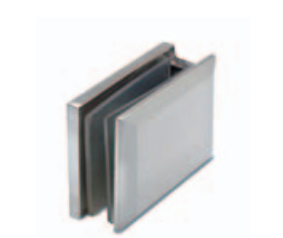
Stainless steel design

Chrome design

Art.no.	Art.no.	glass	
40.4112.090.12	40.4112.090.10	8 - 12 mm	1



Glass clamp - 4115

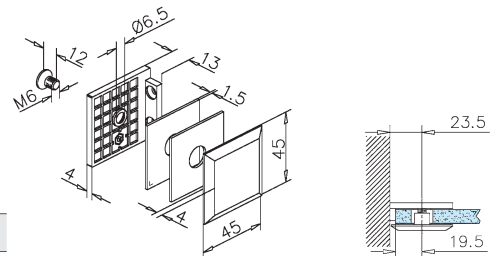


glass/wall

Stainless steel design

Chrome design

Art.no.	Art.no.	glass	
40.4115.090.12	40.4115.090.10	8 - 12 mm	1



Glass clamp - 0101 / 090

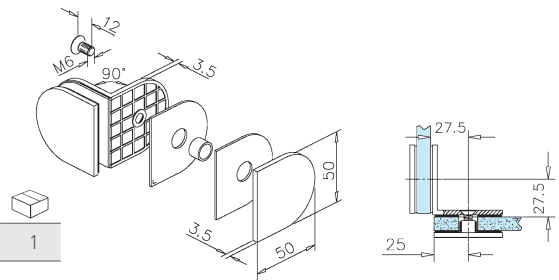


glass/glass

Stainless steel design

Chrome design

Art.no.	Art.no.	glass	
40.0101.090.12	40.0101.090.10	8 - 10 mm	1



Glass clamp - 0101 / 135

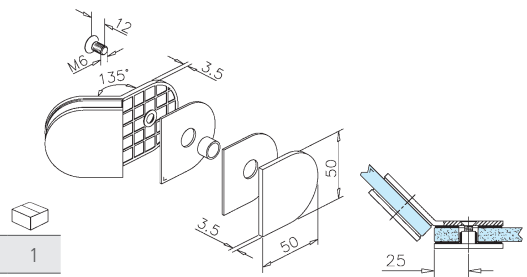


glass/glass

Stainless steel design

Chrome design

Art.no.	Art.no.	glass	
40.0101.135.12	40.0101.135.10	8 - 10 mm	1



Glass clamp - 0101 / 180

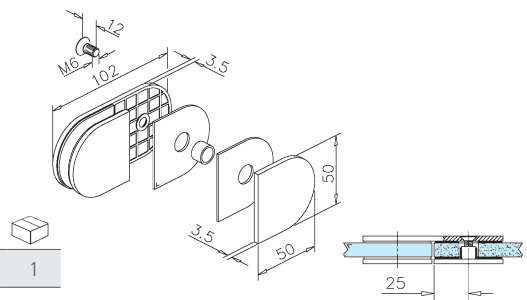


glass/glass

Stainless steel design

Chrome design

Art.no.	Art.no.	glass	
40.0101.180.12	40.0101.180.10	8 - 10 mm	1



Glass clamp - 0102

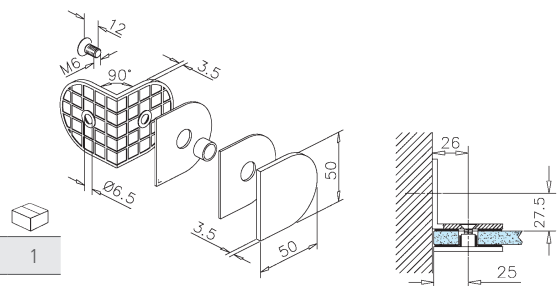


glass/wall

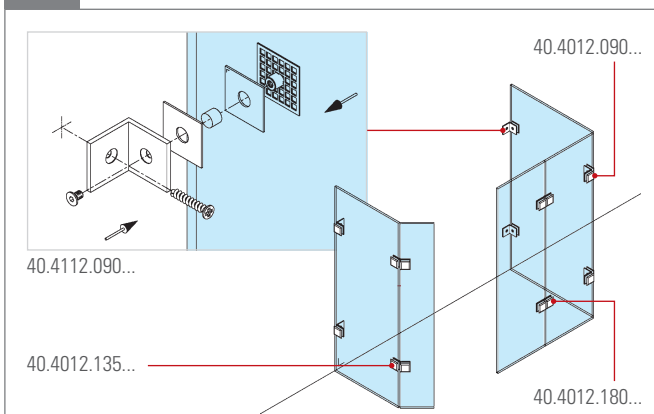
Stainless steel design

Chrome design

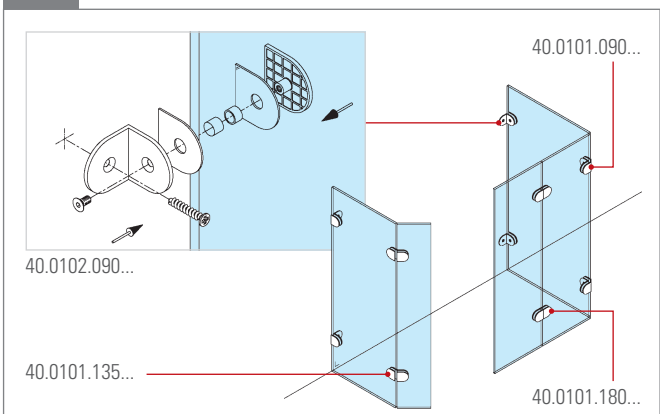
Art.no.	Art.no.	glass	
40.0102.090.12	40.0102.090.10	8 - 10 mm	1



INFO 40.4012...



INFO 40.0101...



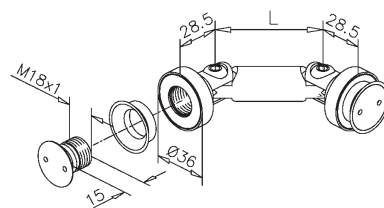
Connector with sunken cap - 780



adjustable, glass/glass

Stainless steel design

Art.no.	L	glass	
44.0780.060.12	60 mm	10 - 12 mm	1
44.0780.082.12	82 mm	10 - 12 mm	1



Connector - 781

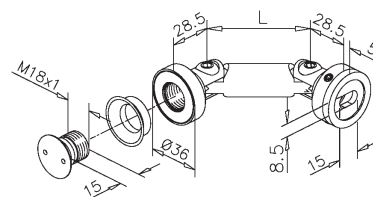
3



adjustable, glass/wall

Stainless steel design

Art.no.	L	glass	
44.0781.060.12	60 mm	10 - 12 mm	1
44.0781.082.12	82 mm	10 - 12 mm	1



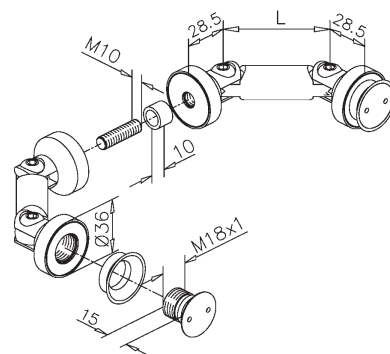
Connector set - 782



adjustable, glass/glass/glass

Stainless steel design

Art.no.	L	glass	
44.0782.060.12	60 mm	10 - 12 mm	1
44.0782.082.12	82 mm	10 - 12 mm	1



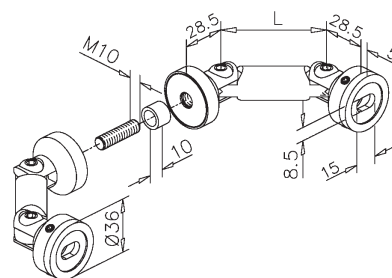
Connector set - 783



adjustable, wall/glass/wall

Stainless steel design

Art.no.	L	glass	
44.0783.060.12	60 mm	10 - 12 mm	1
44.0783.082.12	82 mm	10 - 12 mm	1



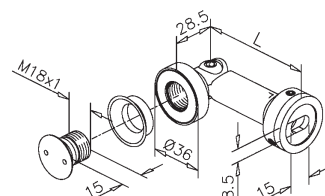
Connector - 784



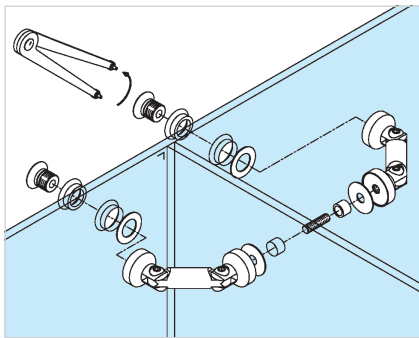
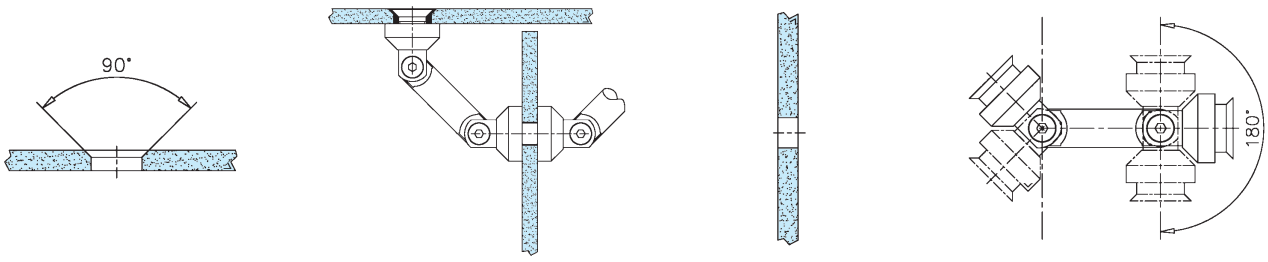
adjustable, glass/wall

Stainless steel design

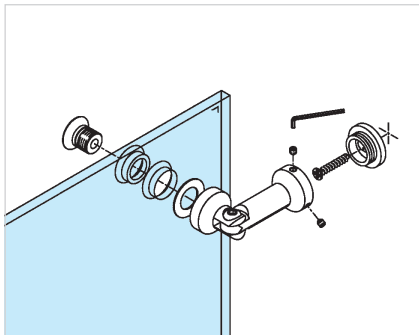
Art.no.	L	glass	
44.0784.075.12	75 mm	10 - 12 mm	1



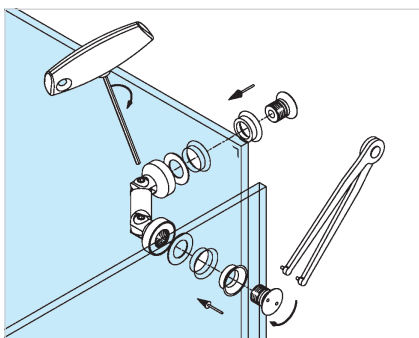
INFO Connectors



44.0782...



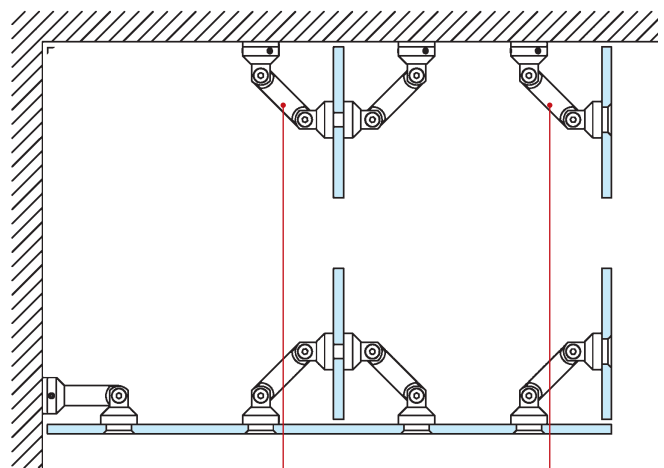
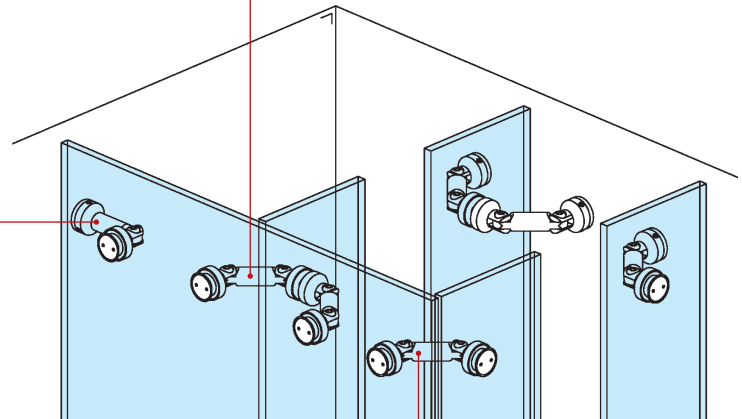
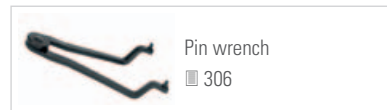
44.0784.075.12



44.0780...

44.0783...

44.0781...



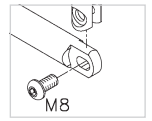
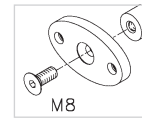
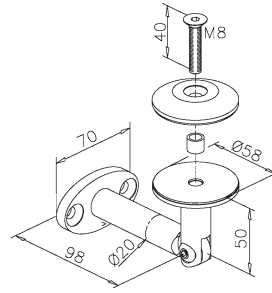
Marquee point mounting - 201



glass/wall fixation

Stainless steel design

Art.no.	glass	
44.0201.010.12	10 - 17,52 mm	1



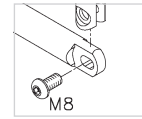
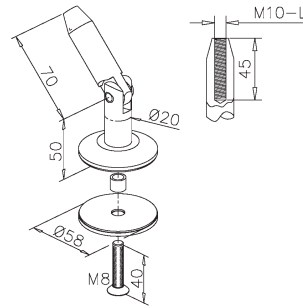
Marquee point mounting - 202



glass connector

Stainless steel design

Art.no.	glass	
44.0202.010.12	10 - 17,52 mm	1



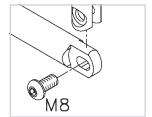
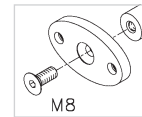
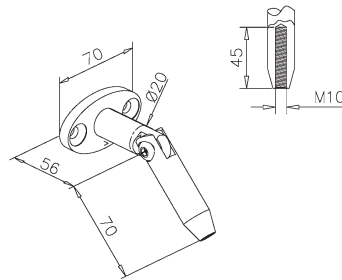
Marquee point mounting - 203



wall connector

Stainless steel design

Art.no.		
44.0203.010.12		1

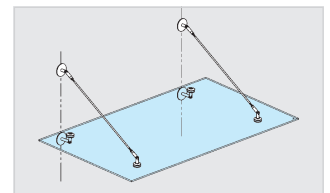
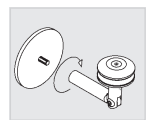
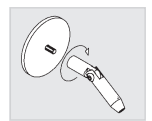
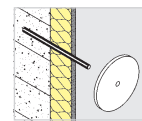
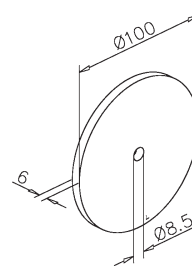


Wall mounting plate - 280



Stainless steel design

Art.no.		
44.0280.100.12		1



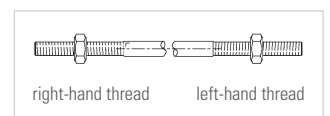
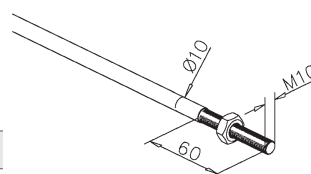
Rod - 299



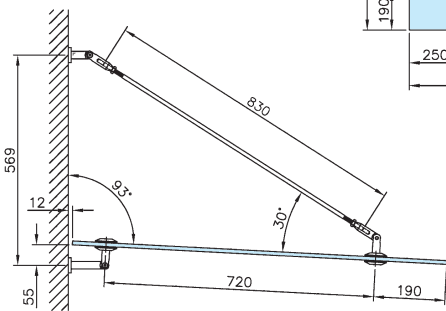
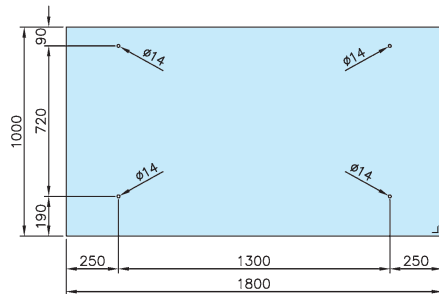
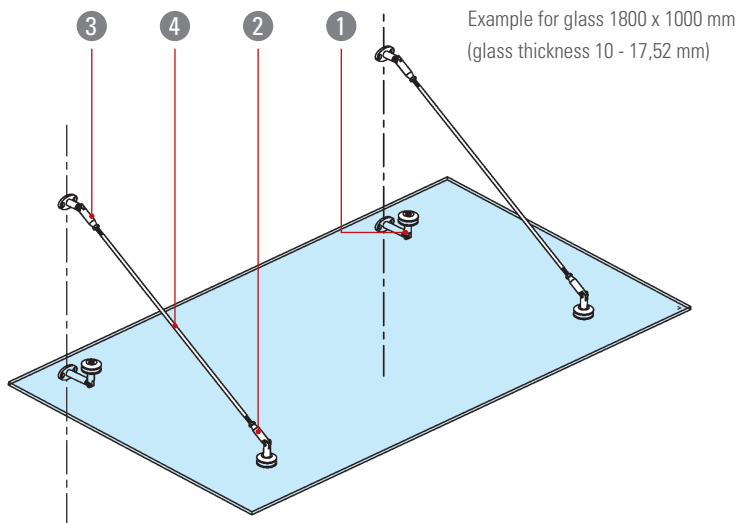
with thread M10, left/right

Stainless steel design

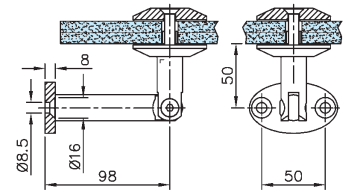
Art.no.	L	
44.0282.010.12	830 mm	
44.0299.010.12	cutted	



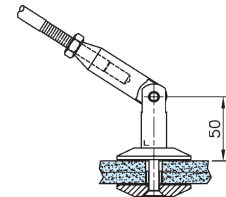
INFO 44.0201...



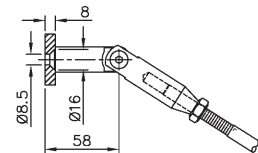
1 44.0201.010.12



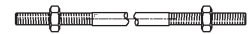
2 44.0202.010.12



3 44.0203.010.12



4 44.0282.010.12



right-hand thread

left-hand thread



Glass-marquee - 2010



Stainless steel design

Art.no.

29.2010.010.12

INFO Products



2 x
44.0201.010.12



2 x
44.0202.010.12

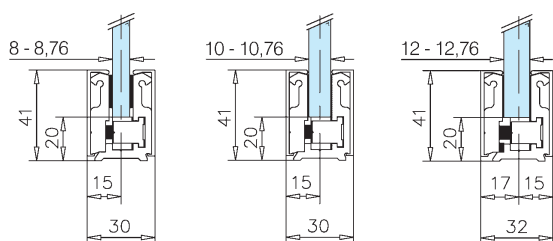
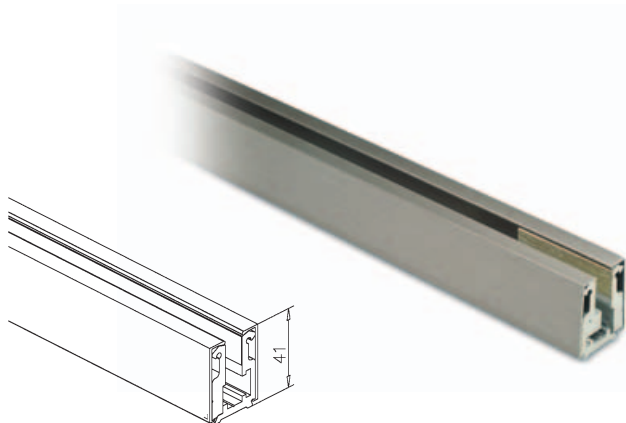


2 x
44.0203.010.12



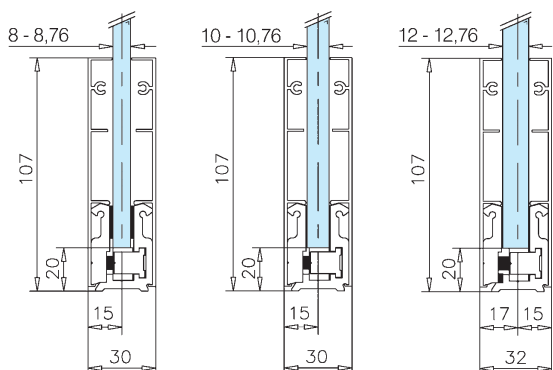
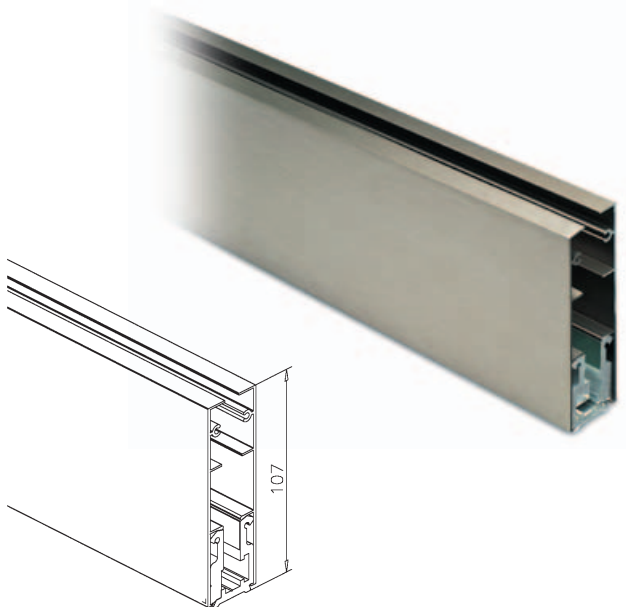
2 x
44.0282.010.12

Glass plate profile - 4200



glass	L	Aluminium stainless steel effect Art.no.	Aluminium silver matt anodized Art.no.
8 - 8,76 mm	5000 mm	40.4208.500.19	40.4208.500.46
8 - 8,76 mm	2500 mm	40.4208.250.19	40.4208.250.46
8 - 8,76 mm	cutted	40.4208.000.19	40.4208.000.46
10 - 10,76 mm	5000 mm	40.4210.500.19	40.4210.500.46
10 - 10,76 mm	2500 mm	40.4210.250.19	40.4210.250.46
10 - 10,76 mm	cutted	40.4210.000.19	40.4210.000.46
12 - 12,76 mm	5000 mm	40.4212.500.19	40.4212.500.46
12 - 12,76 mm	2500 mm	40.4212.250.19	40.4212.250.46
12 - 12,76 mm	cutted	40.4212.000.19	40.4212.000.46

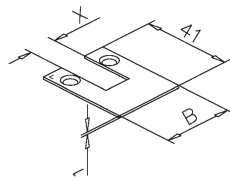
Glass plate profile - 4300



glass	L	Aluminium stainless steel effect Art.no.	Aluminium silver matt anodized Art.no.
8 - 8,76 mm	5000 mm	40.4308.500.19	40.4308.500.46
8 - 8,76 mm	2500 mm	40.4308.250.19	40.4308.250.46
8 - 8,76 mm	cutted	40.4308.000.19	40.4308.000.46
10 - 10,76 mm	5000 mm	40.4310.500.19	40.4310.500.46
10 - 10,76 mm	2500 mm	40.4310.250.19	40.4310.250.46
10 - 10,76 mm	cutted	40.4310.000.19	40.4310.000.46
12 - 12,76 mm	5000 mm	40.4312.500.19	40.4312.500.46
12 - 12,76 mm	2500 mm	40.4312.250.19	40.4312.250.46
12 - 12,76 mm	cutted	40.4312.000.19	40.4312.000.46

End caps - 4200 (pair)

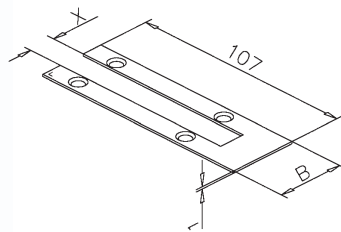
for art.no. 40.42 ... (H 41 mm)



glass (X)	B	Aluminium stainless steel effect Art.no.	Aluminium silver matt anodized Art.no.
8 - 10,76 mm	30 mm	40.4200.010.19	40.4200.010.46
12 - 12,76 mm	32 mm	40.4200.012.19	40.4200.012.46

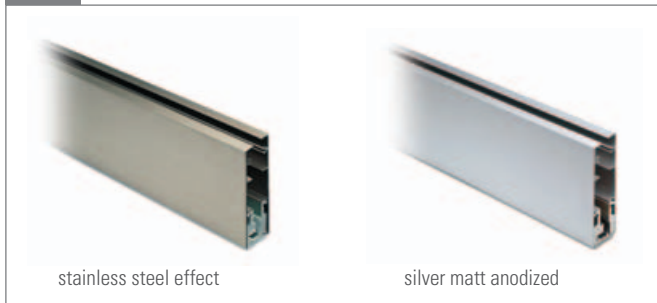
End caps - 4300 (pair)

for art.no. 40.43 ... (H 107 mm)

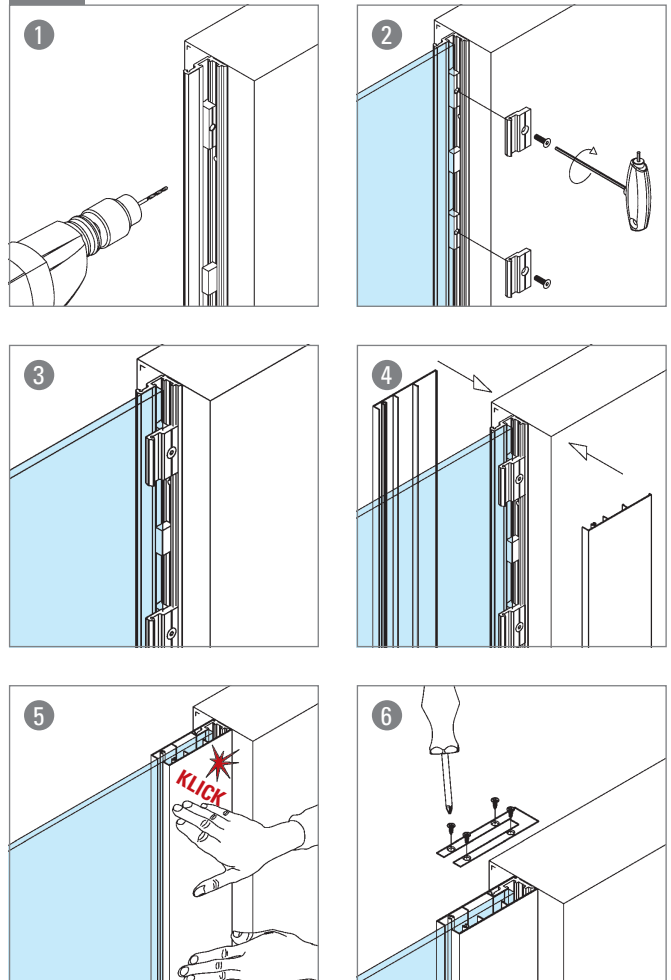


glass (X)	B	Aluminium stainless steel effect Art.no.	Aluminium silver matt anodized Art.no.
8 - 10,76 mm	30 mm	40.4300.010.19	40.4300.010.46
12 - 12,76 mm	32 mm	40.4300.012.19	40.4300.012.46

INFO Finishes

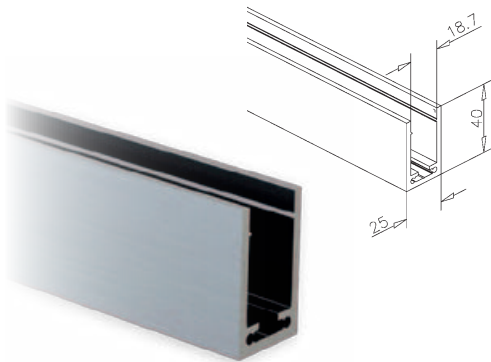


INFO Glass plate profile



U-channel profile - 40 x 25 x 40

NEW

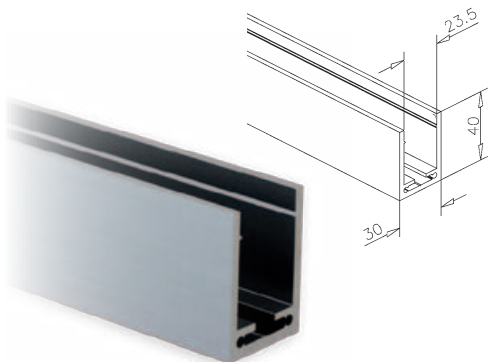


U	L	Aluminium stainless steel effect Art.no.	Aluminium silver matt anodized Art.no.	Aluminium raw Art.no.
40 x 25 x 40 mm	5000 mm	49.0900.425.19	49.0900.425.46	49.0900.425.00
40 x 25 x 40 mm	2500 mm	49.8925.425.19	49.8925.425.46	49.8925.425.00
40 x 25 x 40 mm	cutted	49.8900.425.19	49.8900.425.46	49.8900.425.00

3

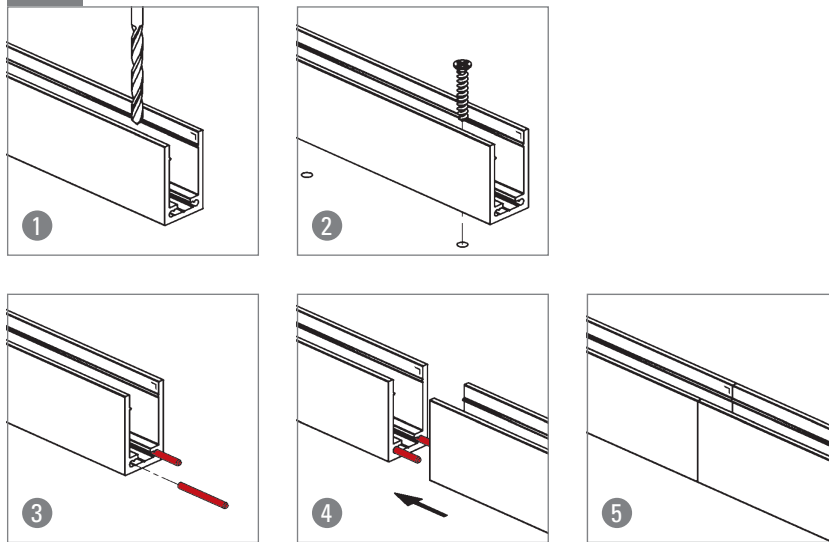
U-channel profile - 40 x 30 x 40

NEW



U	L	Aluminium stainless steel effect Art.no.	Aluminium silver matt anodized Art.no.	Aluminium raw Art.no.
40 x 30 x 40 mm	5000 mm	49.0900.403.19	49.0900.403.46	49.0900.403.00
40 x 30 x 40 mm	2500 mm	49.8925.403.19	49.8925.403.46	49.8925.403.00
40 x 30 x 40 mm	cutted	49.8900.403.19	49.8900.403.46	49.8900.403.00

INFO 93.1010.330.00

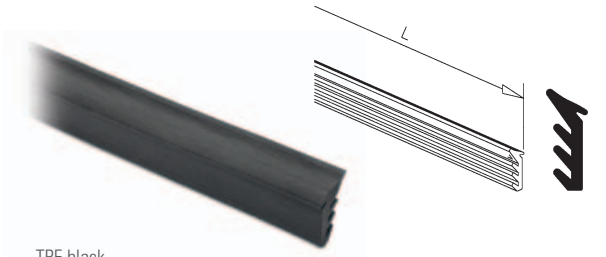


INFO Finishes



NEW

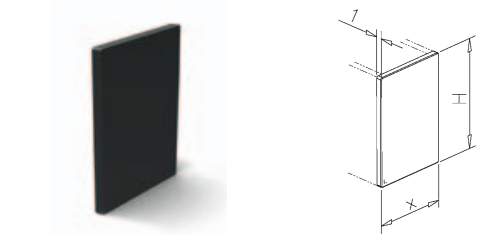
Glass gasket profile - 7030



TPE black

Art.no.	glass	L	
19.7030.010.00	12 - 12,76 / 16,76 - 17,52 mm	5 m	1

End cap - 7040



ABS black, 10 pieces

Art.no.	H	X	
19.7040.042.00	40 mm	25 mm	1
19.7040.043.00	40 mm	30 mm	1

Mountingspacer - 5680



100 pieces

Art.no.	
48.5680.182.00	80 x 18 x 2 mm

Centering-coupling pin - 1010



steel, 10 pieces

Art.no.	
93.1010.330.00	3 x 30 mm

Bonding tape - 2810



for glass walls

Art.no.	glass	B	L	
91.2810.006.00	8 - 8,76 mm	6 mm	12 m	1
91.2810.007.00	10 - 10,76 mm	7 mm	12 m	1
91.2810.009.00	12 - 12,76 mm	9 mm	12 m	1
91.2810.013.00	16,76 - 17,52 mm	13 mm	12 m	1

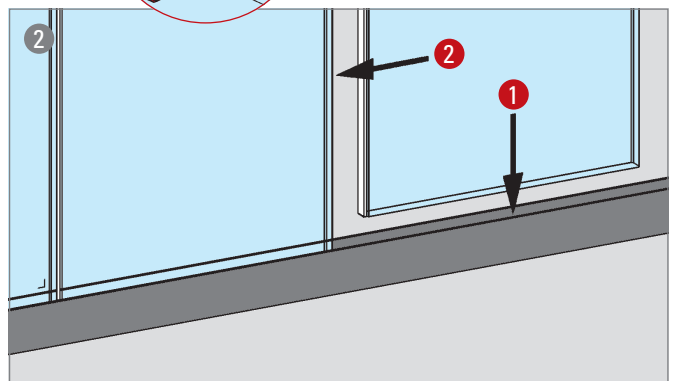
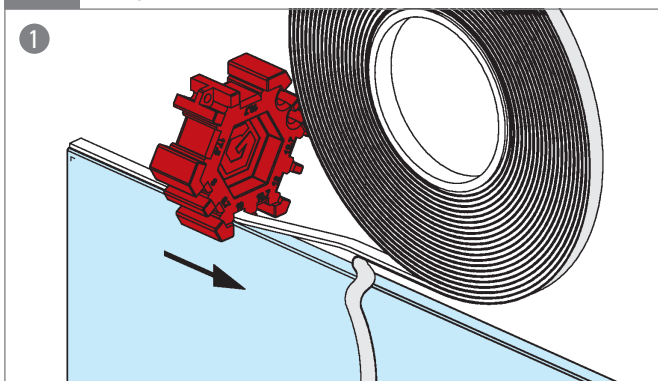
Applicator - 2910



for bonding tape

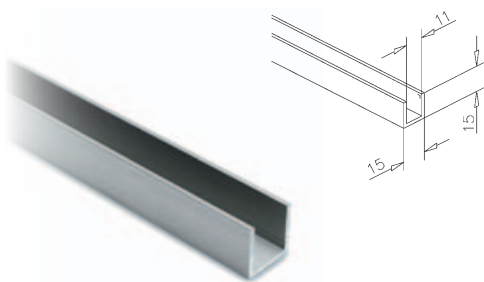
Art.no.	
91.2910.000.00	1

INFO 2810 / 2910



3

U-channel profile - 15 x 15 x 15



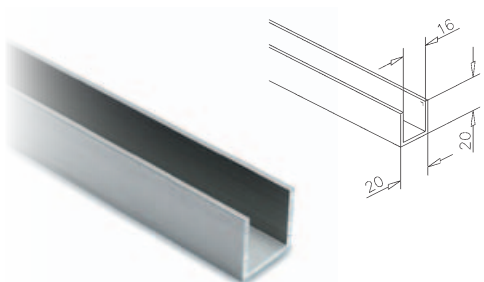
U	L	Art.no.	Art.no.	Art.no.
15 x 15 x 15 mm	5000 mm	49.0900.151.19	49.0900.151.46	
15 x 15 x 15 mm	2500 mm	49.8925.151.19	49.8925.151.46	49.8925.151.48
15 x 15 x 15 mm	cutted	49.8900.151.19	49.8900.151.46	49.8900.151.48

Aluminium
stainless steel
effect

Aluminium
silver matt
anodized

Aluminium
polished

U-channel profile - 20 x 20 x 20



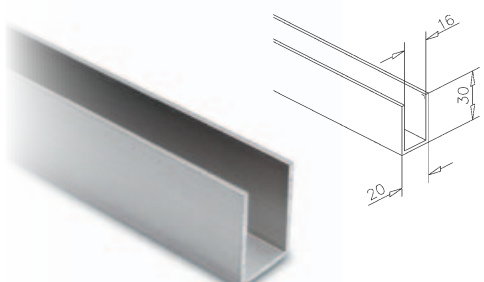
U	L	Art.no.	Art.no.	Art.no.
20 x 20 x 20 mm	5000 mm	49.0900.202.19	49.0900.202.46	
20 x 20 x 20 mm	2500 mm	49.8925.202.19	49.8925.202.46	49.8925.202.48
20 x 20 x 20 mm	cutted	49.8900.202.19	49.8900.202.46	49.8900.202.48

Aluminium
stainless steel
effect

Aluminium
silver matt
anodized

Aluminium
polished

U-channel profile - 30 x 20 x 30



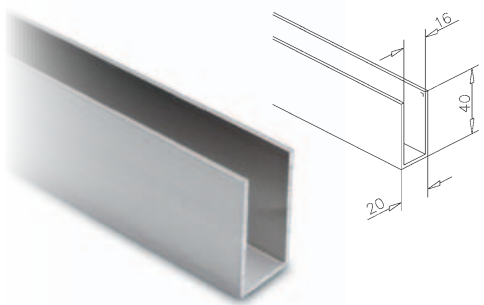
U	L	Art.no.	Art.no.	Art.no.
30 x 20 x 30 mm	5000 mm	49.0900.302.19	49.0900.302.46	
30 x 20 x 30 mm	2500 mm	49.8925.302.19	49.8925.302.46	49.8925.302.48
30 x 20 x 30 mm	cutted	49.8900.302.19	49.8900.302.46	49.8900.302.48

Aluminium
stainless steel
effect

Aluminium
silver matt
anodized

Aluminium
polished

U-channel profile - 40 x 20 x 40



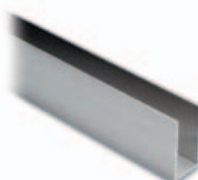
U	L	Art.no.	Art.no.	Art.no.
40 x 20 x 40 mm	5000 mm	49.0900.402.19	49.0900.402.46	
40 x 20 x 40 mm	2500 mm	49.8925.402.19	49.8925.402.46	49.8925.402.48
40 x 20 x 40 mm	cutted	49.8900.402.19	49.8900.402.46	49.8900.402.48

Aluminium
stainless steel
effect

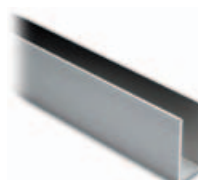
Aluminium
silver matt
anodized

Aluminium
polished

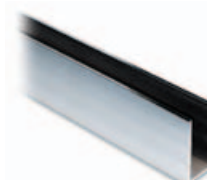
INFO Finishes



stainless steel effect



silver matt anodized



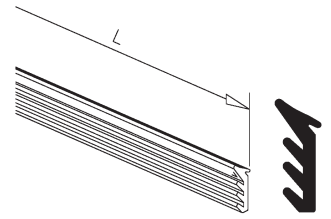
polished

Glass gasket profile - 7030

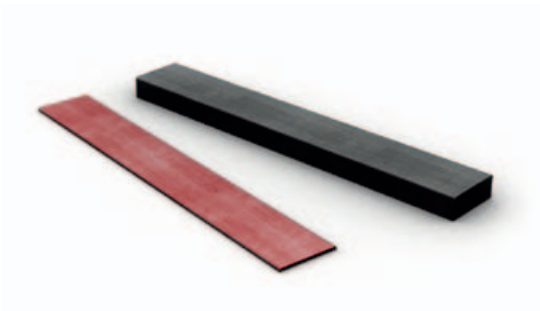


TPE black

Art.no.	glass	L	
19.7030.008.00	8 - 8,76 mm	5 m	1
19.7030.010.00	10 - 10,76 mm	5 m	1



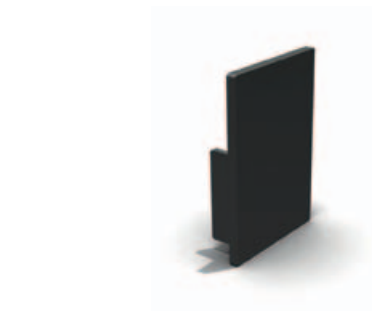
Mountingspacer - 5680



100 pieces

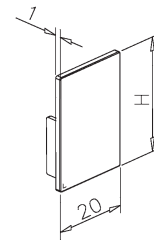
Art.no.		
48.5680.122.00	80 x 12 x 2 mm	1
48.5680.126.00	80 x 12 x 6 mm	1

End cap - 7040



ABS black, 10 pieces

Art.no.	H	
19.7040.030.00	30 mm	1
19.7040.040.00	40 mm	1



INFO Mounting



NEW



Anthracite design

Posts, brackets and clamps



4 Posts 126



4 Handrails 136



4 Brackets 144



4 Glass clamp systems 156



4 Glass adapters 168



4 Glass supports 170

Posts - round, 90°



Stainless steel design / Chrome design / Brass design / Anthracite design
 Ø 25,4 mm / Ø 38,1 mm

INFO standard

A

11.0500...
(■ 280)

INFO optional

B **C** **D**

11.0504... (■ 282) 18.0106... (■ 293) 18.0100... (■ 292)

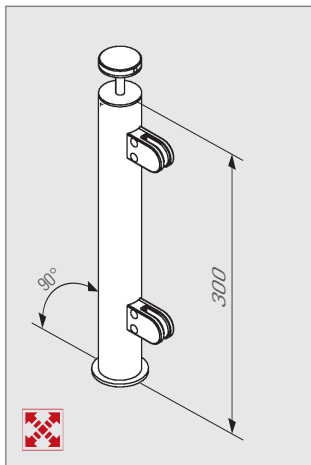
INFO optional

Toughened glass / Laminated glass

(■ 297)

NEW

Model 110



	Ø	Art.no.	Stainless steel design	Chrome design	Brass design	Anthracite design
	25,4 mm (1")	20.1101.025... ..20	...20	...23	...22	
	38,1 mm (1,5")	20.1101.038... ..20	...20	...23	...22	...26
	25,4 mm (1")	20.1102.025... ..20	...20	...23	...22	
	38,1 mm (1,5")	20.1102.038... ..20	...20	...23	...22	...26
	25,4 mm (1")	20.1103.025... ..20	...20	...23	...22	
	38,1 mm (1,5")	20.1103.038... ..20	...20	...23	...22	...26
	25,4 mm (1")	20.1104.025... ..20	...20	...23	...22	
	38,1 mm (1,5")	20.1104.038... ..20	...20	...23	...22	...26
	25,4 mm (1")	20.1105.025... ..20	...20	...23	...22	
	38,1 mm (1,5")	20.1105.038... ..20	...20	...23	...22	...26



1 x 11.0731...
(■ 290)
1 x 18.0104...
(■ 293)



2 (4) x 10.2708...
(■ 164)



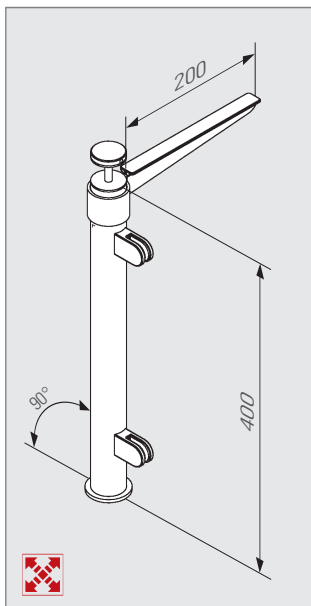
1 x 11.0500...
(■ 280)



1 x 11/12.8900...
(■ 257)

NEW

Model 111



	Ø	Art.no.	Stainless steel design	Chrome design	Brass design	Anthracite design
	25,4 mm (1")	20.1111.025... ..20	...20	...23	...22	
	38,1 mm (1,5")	20.1111.038... ..20	...20	...23	...22	...26
	25,4 mm (1")	20.1112.025... ..20	...20	...23	...22	
	38,1 mm (1,5")	20.1112.038... ..20	...20	...23	...22	...26
	25,4 mm (1")	20.1113.025... ..20	...20	...23	...22	
	38,1 mm (1,5")	20.1113.038... ..20	...20	...23	...22	...26
	25,4 mm (1")	20.1114.025... ..20	...20	...23	...22	
	38,1 mm (1,5")	20.1114.038... ..20	...20	...23	...22	...26
	25,4 mm (1")	20.1115.025... ..20	...20	...23	...22	
	38,1 mm (1,5")	20.1115.038... ..20	...20	...23	...22	...26



1 x 11.0731...
(■ 290)
1 x 18.0104...
(■ 293)



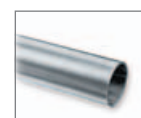
2 (4) x 10.2708...
(■ 164)



1 x 11.0500...
(■ 280)



1 x 11.0741...
(■ 197)



1 x 11/12.8900...
(■ 257)

Posts - round, 90°



Stainless steel design / Chrome design / Brass design / Anthracite design
 Ø 25,4 mm / Ø 38,1 mm

INFO standard

A

11.0500...
 (■ 280)

INFO optional

B **C** **D**

11.0504... (■ 282) 18.0106... (■ 293) 18.0100... (■ 292)

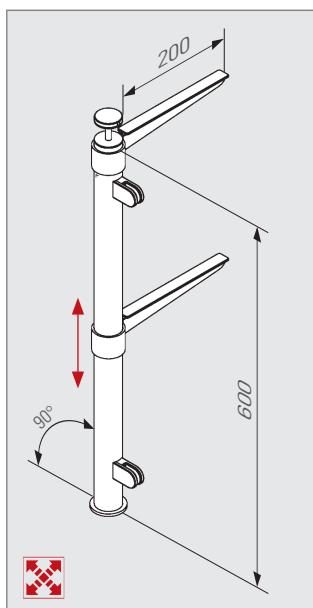
INFO optional

Toughened glass / Laminated glass

(■ 297)

NEW

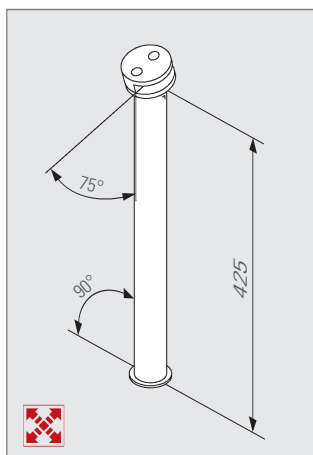
Model 112



	Ø	Art.no.	Stainless steel design Art.no.	Chrome design Art.no.	Brass design Art.no.	Anthracite design Art.no.
	25,4 mm (1")	20.1121.025... ..20	...20	...23	...22	...
	38,1 mm (1,5")	20.1121.038... ..20	...20	...23	...22	...26
	25,4 mm (1")	20.1122.025... ..20	...20	...23	...22	...
	38,1 mm (1,5")	20.1122.038... ..20	...20	...23	...22	...26
	25,4 mm (1")	20.1123.025... ..20	...20	...23	...22	...
	38,1 mm (1,5")	20.1123.038... ..20	...20	...23	...22	...26
	25,4 mm (1")	20.1124.025... ..20	...20	...23	...22	...
	38,1 mm (1,5")	20.1124.038... ..20	...20	...23	...22	...26
	25,4 mm (1")	20.1125.025... ..20	...20	...23	...22	...
	38,1 mm (1,5")	20.1125.038... ..20	...20	...23	...22	...26



Model 190



	Ø	Art.no.	Stainless steel design Art.no.
	38,1 mm (1,5")	20.1901.038... ..20	...20
	38,1 mm (1,5")	20.1902.038... ..20	...20
	38,1 mm (1,5")	20.1903.038... ..20	...20



⇨ production according to order
 ⇨ other dimensions possible

Posts - round, 90°

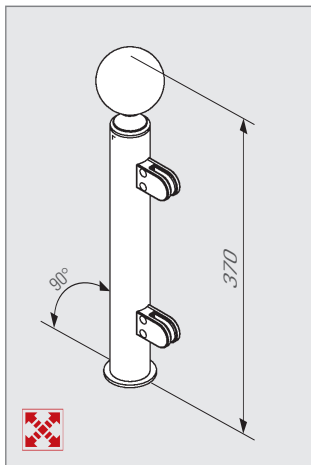


Stainless steel design / Chrome design / Brass design / Anthracite design
 Ø 25,4 mm / Ø 38,1 mm

INFO standard	INFO optional	INFO optional
 11.0500... (■ 280)	 11.0504... (■ 282)	 18.0106... (■ 293)
	 18.0100... (■ 292)	Toughened glass / Laminated glass (■ 297)

NEW

Model 140

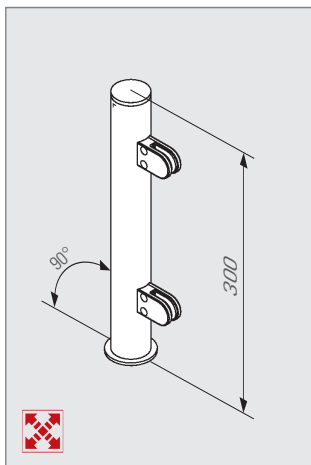


	Ø	Art.no.	Stainless steel design	Chrome design	Brass design	Anthracite design
	25,4 mm (1")	20.1401.025... ..20	...20	...23	...22	...
	38,1 mm (1,5")	20.1401.038... ..20	...20	...23	...22	...26
	25,4 mm (1")	20.1402.025... ..20	...20	...23	...22	...
	38,1 mm (1,5")	20.1402.038... ..20	...20	...23	...22	...26
	25,4 mm (1")	20.1403.025... ..20	...20	...23	...22	...
	38,1 mm (1,5")	20.1403.038... ..20	...20	...23	...22	...26
	25,4 mm (1")	20.1404.025... ..20	...20	...23	...22	...
	38,1 mm (1,5")	20.1404.038... ..20	...20	...23	...22	...26
	25,4 mm (1")	20.1405.025... ..20	...20	...23	...22	...
	38,1 mm (1,5")	20.1405.038... ..20	...20	...23	...22	...26

1 x 11.0212... (■ 291)	2 (4) x 10.2708... (■ 164)	1 x 11.0500... (■ 280)	1 x 11/12.8900... (■ 257)

NEW

Model 150



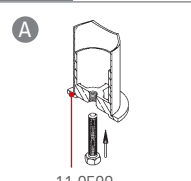
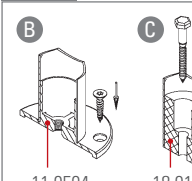
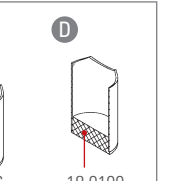
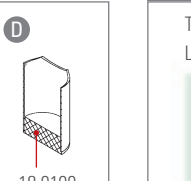

	Ø	Art.no.	Stainless steel design	Chrome design	Brass design	Anthracite design
	25,4 mm (1")	20.1501.025... ..20	...20	...23	...22	...
	38,1 mm (1,5")	20.1501.038... ..20	...20	...23	...22	...26
	25,4 mm (1")	20.1502.025... ..20	...20	...23	...22	...
	38,1 mm (1,5")	20.1502.038... ..20	...20	...23	...22	...26
	25,4 mm (1")	20.1503.025... ..20	...20	...23	...22	...
	38,1 mm (1,5")	20.1503.038... ..20	...20	...23	...22	...26
	25,4 mm (1")	20.1504.025... ..20	...20	...23	...22	...
	38,1 mm (1,5")	20.1504.038... ..20	...20	...23	...22	...26
	25,4 mm (1")	20.1505.025... ..20	...20	...23	...22	...
	38,1 mm (1,5")	20.1505.038... ..20	...20	...23	...22	...26

1 x 11.0732... (■ 288)	2 (4) x 10.2708... (■ 164)	1 x 11.0500... (■ 280)	1 x 11/12.8900... (■ 257)

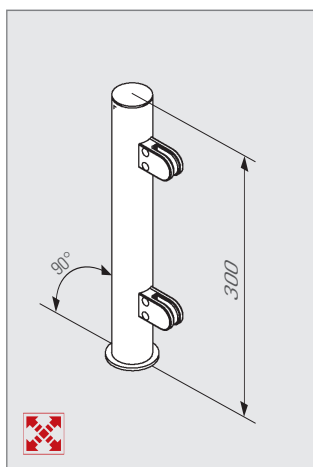
Posts - round, 90°

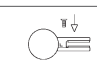
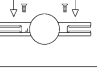

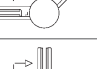



Stainless steel design / Chrome design / Brass design / Anthracite design
 Ø 25,4 mm / Ø 38,1 mm

INFO standard	INFO optional	INFO optional
 <p>11.0500... (■ 280)</p>	 <p>11.0504... (■ 282)</p>  <p>18.0106... (■ 293)</p>  <p>18.0100... (■ 292)</p>	<p>Toughened glass / Laminated glass</p>  <p>(■ 297)</p>

Model 151

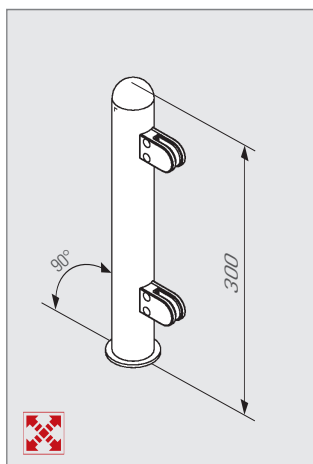


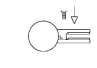

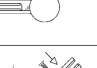

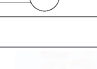
	Ø	Art.no.	Stainless steel design	Chrome design	Brass design	Anthracite design
	25,4 mm (1")	20.1511.025...	...20	...23	...22	
	38,1 mm (1,5")	20.1511.038...	...20	...23	...22	...26
	25,4 mm (1")	20.1512.025...	...20	...23	...22	
	38,1 mm (1,5")	20.1512.038...	...20	...23	...22	...26
	25,4 mm (1")	20.1513.025...	...20	...23	...22	
	38,1 mm (1,5")	20.1513.038...	...20	...23	...22	...26
	25,4 mm (1")	20.1514.025...	...20	...23	...22	
	38,1 mm (1,5")	20.1514.038...	...20	...23	...22	...26
	25,4 mm (1")	20.1515.025...	...20	...23	...22	
	38,1 mm (1,5")	20.1515.038...	...20	...23	...22	...26

NEW

			
1 x 11.0729... (■ 288)	2 (4) x 10.2708... (■ 164)	1 x 11.0500... (■ 280)	1 x 11/12.8900... (■ 257)


Model 160



	Ø	Art.no.	Stainless steel design	Chrome design	Brass design	Anthracite design
	25,4 mm (1")	20.1601.025...	...20	...23	...22	
	38,1 mm (1,5")	20.1601.038...	...20	...23	...22	...26
	25,4 mm (1")	20.1602.025...	...20	...23	...22	
	38,1 mm (1,5")	20.1602.038...	...20	...23	...22	...26
	25,4 mm (1")	20.1603.025...	...20	...23	...22	
	38,1 mm (1,5")	20.1603.038...	...20	...23	...22	...26
	25,4 mm (1")	20.1604.025...	...20	...23	...22	
	38,1 mm (1,5")	20.1604.038...	...20	...23	...22	...26
	25,4 mm (1")	20.1605.025...	...20	...23	...22	
	38,1 mm (1,5")	20.1605.038...	...20	...23	...22	...26

NEW

			
1 x 11.0730... (■ 288)	2 (4) x 10.2708... (■ 164)	1 x 11.0500... (■ 280)	1 x 11/12.8900... (■ 257)

 ⇨ production according to order
 ⇨ other dimensions possible

Posts - round, 90°



Stainless steel design / Chrome design / Brass design / Anthracite design
 Ø 25,4 mm / Ø 38,1 mm

INFO standard

A

11.0500...
 (■ 280)

INFO optional

B **C** **D**

11.0504... (■ 282) 18.0106... (■ 293) 18.0100... (■ 292)

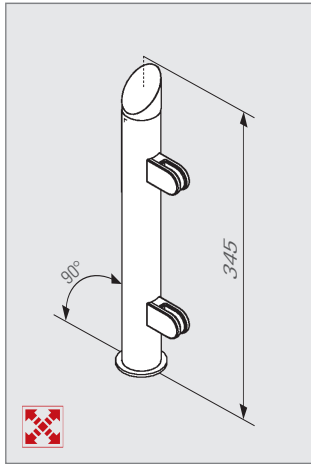
INFO optional

Toughened glass / Laminated glass

(■ 297)

NEW

Model 155

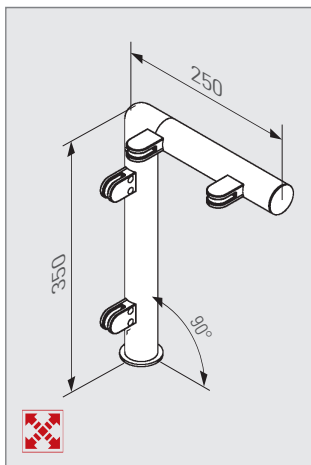


	Ø	Art.no.	Stainless steel design Art.no.	Chrome design Art.no.	Brass design Art.no.	Anthracite design Art.no.
	25,4 mm (1")	20.1551.025... ..20	...20	...23	...22	
	38,1 mm (1,5")	20.1551.038... ..20	...20	...23	...22	...26
	25,4 mm (1")	20.1552.025... ..20	...20	...23	...22	
	38,1 mm (1,5")	20.1552.038... ..20	...20	...23	...22	...26
	25,4 mm (1")	20.1553.025... ..20	...20	...23	...22	
	38,1 mm (1,5")	20.1553.038... ..20	...20	...23	...22	...26
	25,4 mm (1")	20.1554.025... ..20	...20	...23	...22	
	38,1 mm (1,5")	20.1554.038... ..20	...20	...23	...22	...26
	25,4 mm (1")	20.1555.025... ..20	...20	...23	...22	
	38,1 mm (1,5")	20.1555.038... ..20	...20	...23	...22	...26



NEW

Model 130



	Ø	Art.no.	Stainless steel design Art.no.	Chrome design Art.no.	Brass design Art.no.	Anthracite design Art.no.
	25,4 mm (1")	20.1301.025... ..20	...20	...23	...22	
	38,1 mm (1,5")	20.1301.038... ..20	...20	...23	...22	...26
	25,4 mm (1")	20.1302.025... ..20	...20	...23	...22	
	38,1 mm (1,5")	20.1302.038... ..20	...20	...23	...22	...26
	25,4 mm (1")	20.1303.025... ..20	...20	...23	...22	
	38,1 mm (1,5")	20.1303.038... ..20	...20	...23	...22	...26
	25,4 mm (1")	20.1304.025... ..20	...20	...23	...22	
	38,1 mm (1,5")	20.1304.038... ..20	...20	...23	...22	...26
	25,4 mm (1")	20.1305.025... ..20	...20	...23	...22	
	38,1 mm (1,5")	20.1305.038... ..20	...20	...23	...22	...26

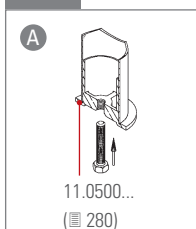


Posts - round, 90°

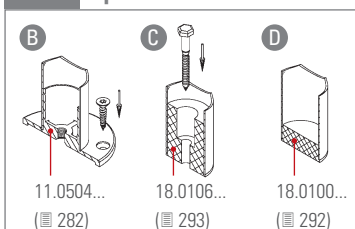


Stainless steel design / Chrome design / Brass design / Anthracite design
 Ø 25,4 mm / Ø 38,1 mm

INFO standard



INFO optional

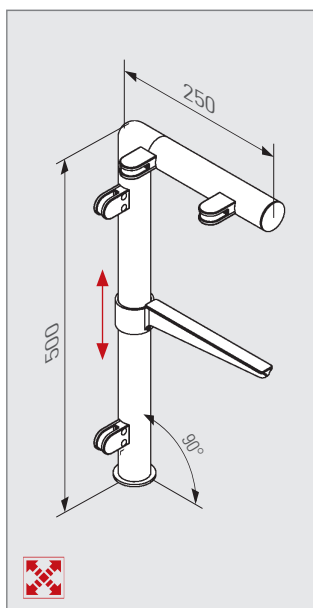


INFO optional



NEW

Model 131

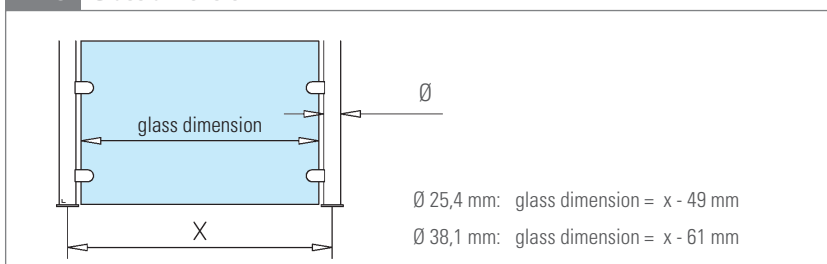


	Ø	Art.no.	Stainless steel design Art.no.	Chrome design Art.no.	Brass design Art.no.	Anthracite design Art.no.
	25,4 mm (1")	20.1311.025... ..20	...20	...23	...22	
	38,1 mm (1,5")	20.1311.038... ..20	...20	...23	...22	...26
	25,4 mm (1")	20.1312.025... ..20	...20	...23	...22	
	38,1 mm (1,5")	20.1312.038... ..20	...20	...23	...22	...26
	25,4 mm (1")	20.1313.025... ..20	...20	...23	...22	
	38,1 mm (1,5")	20.1313.038... ..20	...20	...23	...22	...26
	25,4 mm (1")	20.1314.025... ..20	...20	...23	...22	
	38,1 mm (1,5")	20.1314.038... ..20	...20	...23	...22	...26
	25,4 mm (1")	20.1315.025... ..20	...20	...23	...22	
	38,1 mm (1,5")	20.1315.038... ..20	...20	...23	...22	...26



⇨ production according to order
 ⇨ other dimensions possible

INFO Glass dimension



Posts - round, 80°



Stainless steel design / Chrome design / Brass design / Anthracite design
 Ø 25,4 mm / Ø 38,1 mm

INFO optional

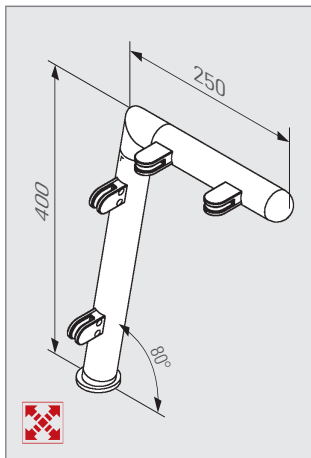
Toughened glass / Laminated glass



(■ 297)

NEW

Model 120



	Ø	Art.no.	Stainless steel design Art.no.	Chrome design Art.no.	Brass design Art.no.	Anthracite design Art.no.
	25,4 mm (1")	20.1201.025...	...20	...23	...22	
	38,1 mm (1,5")	20.1201.038...	...20	...23	...22	...26
	25,4 mm (1")	20.1202.025...	...20	...23	...22	
	38,1 mm (1,5")	20.1202.038...	...20	...23	...22	...26
	25,4 mm (1")	20.1203.025...	...20	...23	...22	
	38,1 mm (1,5")	20.1203.038...	...20	...23	...22	...26



1 x 11.0730...
(■ 288)



4 (8) x 10.2708...
(■ 164)



1 x 11.0502...
(■ 280)



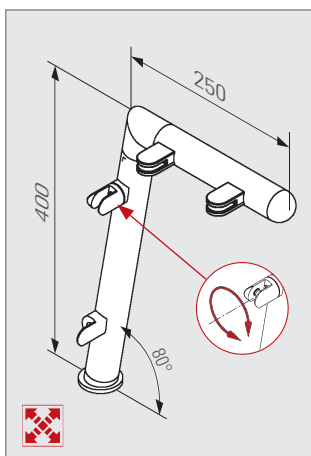
1 x 11.0312...
(■ 272)



2 x 11/12.8900...
(■ 257)

NEW

Model 121



	Ø	Art.no.	Stainless steel design Art.no.	Chrome design Art.no.	Brass design Art.no.	Anthracite design Art.no.
	25,4 mm (1")	20.1211.025...	...20	...23	...22	
	38,1 mm (1,5")	20.1211.038...	...20	...23	...22	...26
	25,4 mm (1")	20.1212.025...	...20	...23	...22	
	38,1 mm (1,5")	20.1212.038...	...20	...23	...22	...26
	25,4 mm (1")	20.1213.025...	...20	...23	...22	
	38,1 mm (1,5")	20.1213.038...	...20	...23	...22	...26



1 x 11.0730...
(■ 288)



2 (4) x 10.2708...
(■ 164)



1 (2) x 10.2900...
(■ 169)



1 (2) x 10.2950...
(■ 169)



1 x 11.0502...
(■ 280)

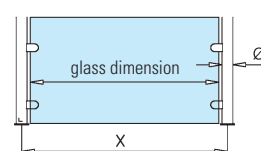


1 x 11.0312...
(■ 272)



2 x 11/12.8900...
(■ 257)

INFO Post - 121




Glass dimension for hinge adapters
 Ø 25,4 mm: x - 53 mm
 Ø 38,1 mm: x - 65 mm

Posts - round, 80°

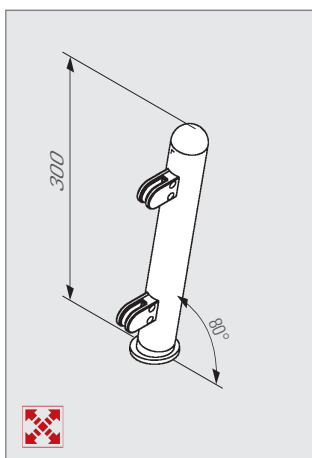


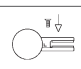
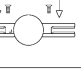

Stainless steel design / Chrome design / Brass design / Anthracite design
 Ø 25,4 mm / Ø 38,1 mm

INFO optional
 Toughened glass / Laminated glass

 (■ 297)

NEW

Model 161



	Ø	Art.no.	Stainless steel design Art.no.	Chrome design Art.no.	Brass design Art.no.	Anthracite design Art.no.
	25,4 mm (1")	20.1611.025...	...20	...23	...22	
	38,1 mm (1,5")	20.1611.038...	...20	...23	...22	...26
	25,4 mm (1")	20.1612.025...	...20	...23	...22	
	38,1 mm (1,5")	20.1612.038...	...20	...23	...22	...26
	25,4 mm (1")	20.1613.025...	...20	...23	...22	
	38,1 mm (1,5")	20.1613.038...	...20	...23	...22	...26



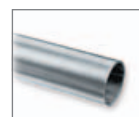
1 x 11.0730...
(■ 288)



2 (4) x 10.2708...
(■ 164)



1 x 11.0502...
(■ 280)

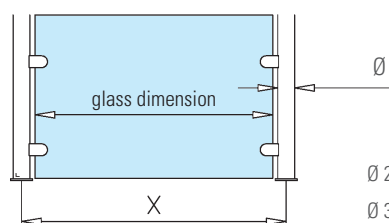


1 x 11/12.8900...
(■ 257)

NEW Anthracite design



INFO Glass dimension



Ø 25,4 mm: glass dimension = x - 49 mm
 Ø 38,1 mm: glass dimension = x - 61 mm



⇨ production according to order
 ⇨ other dimensions possible

Posts - square, 90°



Stainless steel design
 □ 20 x 20 mm / □ 35 x 35 mm

INFO optional

Toughened glass /
 Laminated glass

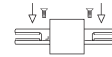
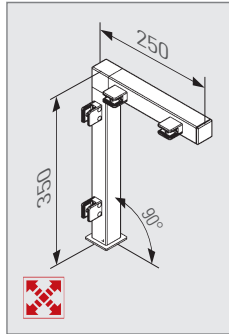
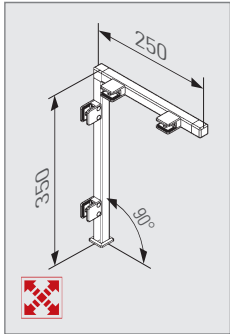


(■ 297)

Model 132

20 x 20 mm

35 x 35 mm



□

Art.no.

Art.no.

Art.no.

20 x 20 mm 20.1321.020.20 20.1322.020.20 20.1323.020.20

35 x 35 mm 20.1321.035.20 20.1322.035.20 20.1323.035.20



1 x
 12.4732...
 (■ 289)



4 (8) x
 10.2308.000.20
 (■ 161)



1 x
 12.4500...
 (■ 285)



1 x
 12.4303...
 (■ 276)



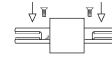
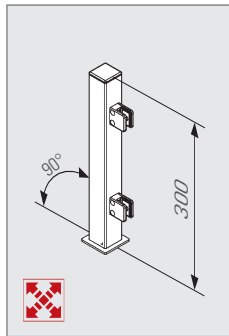
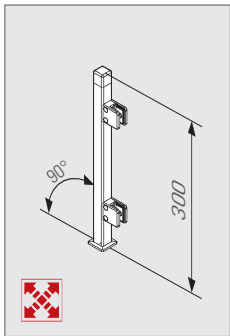
2 x
 12.4890...
 (■ 256)

Model 132 is point welded for reasons of stability.

Model 162

20 x 20 mm

35 x 35 mm



□

Art.no.

Art.no.

Art.no.

Art.no.

20 x 20 mm 20.1621.020.20 20.1622.020.20 20.1623.020.20 20.1625.020.20

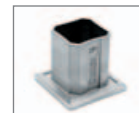
35 x 35 mm 20.1621.035.20 20.1622.035.20 20.1623.035.20 20.1625.035.20



1 x
 12.4732...
 (■ 289)



2 (4) x
 10.2308.000.20
 (■ 161)



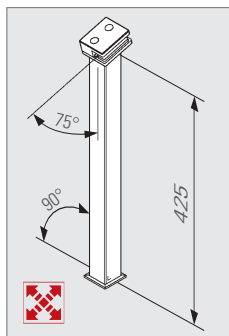
1 x
 12.4500...
 (■ 285)



1 x
 12.4890...
 (■ 256)

Model 195

35 x 35 mm



□

Art.no.

Art.no.

Art.no.

35 x 35 mm 20.1951.035.20 20.1952.035.20 20.1953.035.20



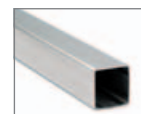
1 x
 14.5108.000.12
 (■ 167)



1 x
 14.5208.000.12
 (■ 167)



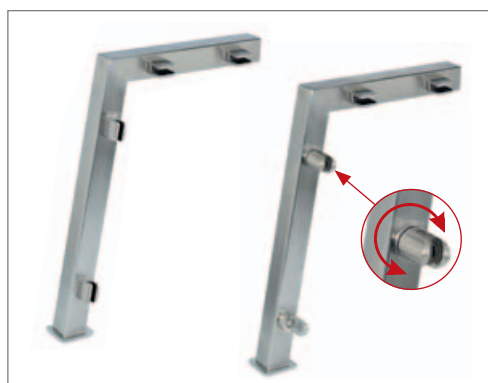
1 x
 12.4500.035.12
 (■ 285)



1 x
 12.4890.035.12
 (■ 256)



Posts - square, 80°



Stainless steel design
 □ 20 x 20 mm / □ 35 x 35 mm

INFO optional

Toughened glass /
Laminated glass

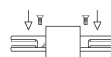
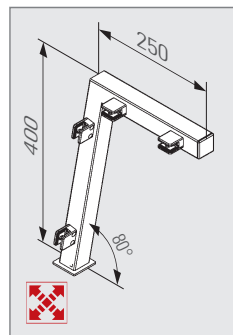
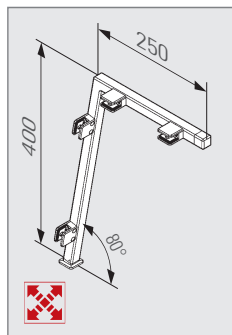


(■ 297)

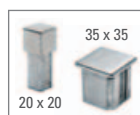
Model 122

20 x 20 mm

35 x 35 mm



□	Art.no.	Art.no.	Art.no.
20 x 20 mm	20.1221.020.20	20.1222.020.20	20.1223.020.20
35 x 35 mm	20.1221.035.20	20.1222.035.20	20.1223.035.20



1 x
12.4732...
(■ 289)



4 (8) x
10.2308.000.20
(■ 161)



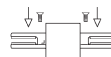
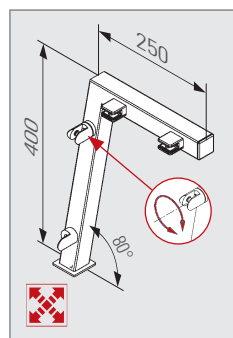
1 x
12.4502...
(■ 285)



2 x
12.4890...
(■ 256)

Model 123

35 x 35 mm



□	Art.no.	Art.no.	Art.no.
35 x 35 mm	20.1231.035.20	20.1232.035.20	20.1233.035.20



1 x
12.4732.035.12
(■ 289)



2 (4) x
10.2308.000.20
(■ 161)



1 (2) x
10.2900.000.20
(■ 169)



1 (2) x
10.2950.000.20
(■ 169)

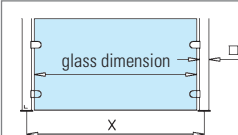


1 x
12.4502.035.12
(■ 285)



2 x
12.4890.035.12
(■ 256)

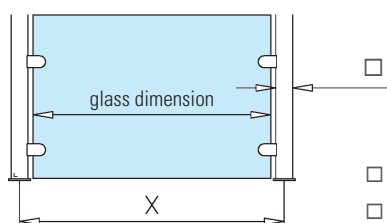
INFO Post - 123



Glass dimension
for hinge adapters

□ 35 x 35 mm: x - 62 mm

INFO Glass dimension



□ 20 x 20 mm: glass dimension = x - 43 mm



□ 35 x 35 mm: glass dimension = x - 58 mm



⇨ production according to order

⇨ other dimensions possible

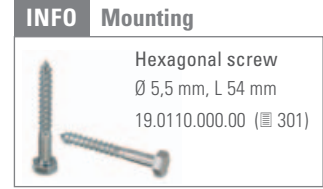
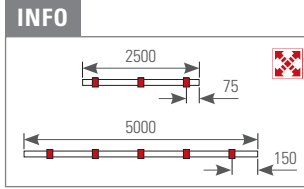
Handrail - 320

 production according to order
 other dimensions possible

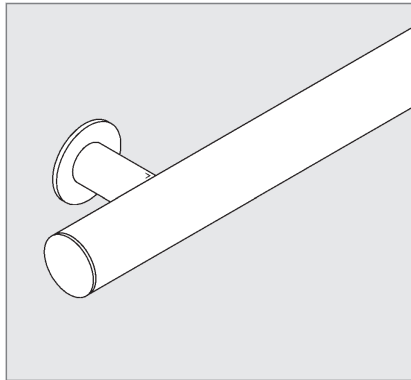


Wall

Stainless steel design / Chrome design / Brass design
 Ø 38,1 mm



320 - 1



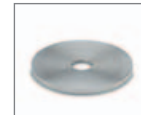
L	Stainless steel design Art.no.	Chrome design Art.no.	Brass design Art.no.
2500 mm	20.3201.238.20	20.3201.238.23	20.3201.238.22
5000 mm	20.3201.538.20	20.3201.538.23	



2 x 11.0729.038...
 (■ 288)



L 2500 mm:
 3 x 11.0625.038...
 L 5000 mm:
 5 x 11.0625.038...
 (■ 279)

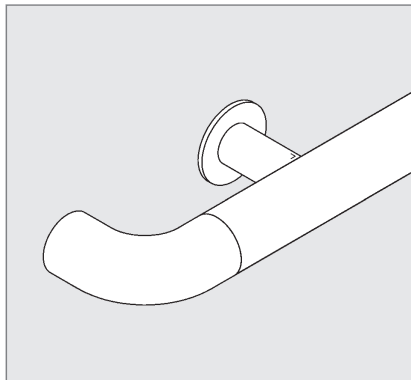


L 2500 mm:
 3 x 11/12.0501.038...
 L 5000 mm:
 5 x 12.0501.038...
 (■ 281)



L 2500 mm:
 1 x 11/12.8925.038...
 L 5000 mm:
 1 x 12.0900.038...
 (■ 257)

320 - 2



L	Stainless steel design Art.no.	Chrome design Art.no.	Brass design Art.no.
2500 mm	20.3202.238.20	20.3202.238.23	20.3202.238.22
5000 mm	20.3202.538.20	20.3202.538.23	



2 x 11/12.0739.038...
 (■ 290)



L 2500 mm:
 3 x 11.0625.038...
 L 5000 mm:
 5 x 11.0625.038...
 (■ 279)

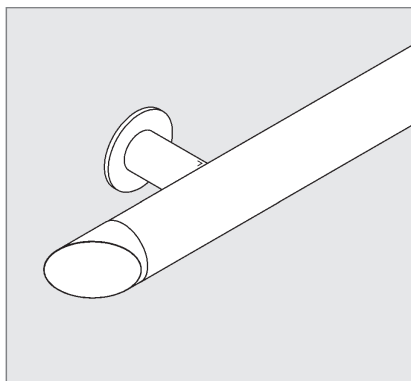


L 2500 mm:
 3 x 11/12.0501.038...
 L 5000 mm:
 5 x 12.0501.038...
 (■ 281)



L 2500 mm:
 1 x 11/12.8925.038...
 L 5000 mm:
 1 x 12.0900.038...
 (■ 257)

320 - 3



L	Stainless steel design Art.no.	Chrome design Art.no.	Brass design Art.no.
2500 mm	20.3203.238.20	20.3203.238.23	20.3203.238.22
5000 mm	20.3203.538.20	20.3203.538.23	



2 x 11/12.0733.038...
 (■ 289)



L 2500 mm:
 3 x 11.0625.038...
 L 5000 mm:
 5 x 11.0625.038...
 (■ 279)





L 2500 mm:
 3 x 11/12.0501.038...
 L 5000 mm:
 5 x 12.0501.038...
 (■ 281)



L 2500 mm:
 1 x 11/12.8925.038...
 L 5000 mm:
 1 x 12.0900.038...
 (■ 257)

For further details visit: www.g-fittings.com

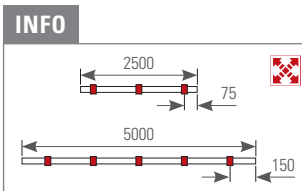
Handrail - 321

 production according to order
 other dimensions possible



Wall

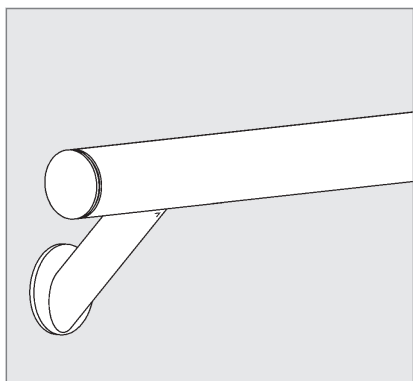
Stainless steel design / Chrome design
 Ø 38,1 mm



INFO Mounting

Hexagonal screw
 Ø 5,5 mm, L 54 mm
 19.0110.000.00 (■ 301)

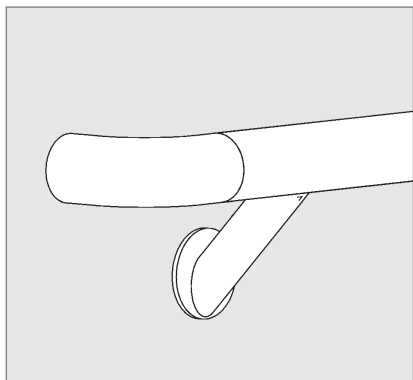
321 - 1



L	Stainless steel design Art.no.	Chrome design Art.no.
2500 mm	20.3211.238.20	20.3211.238.23
5000 mm	20.3211.538.20	20.3211.538.23

			
2 x 11.0729.038... (■ 288)	L 2500 mm: 3 x 12.0625.438... L 5000 mm: 5 x 12.0625.438... (■ 278)	L 2500 mm: 3 x 12.0501.038... L 5000 mm: 5 x 12.0501.038... (■ 281)	L 2500 mm: 1 x 12.8925.038... L 5000 mm: 1 x 12.0900.038... (■ 257)

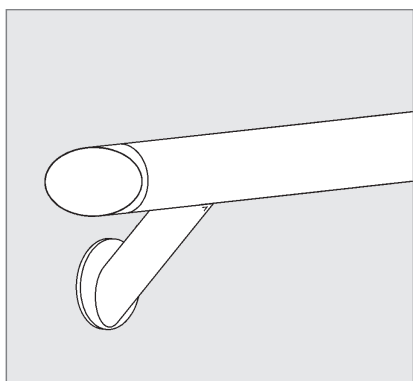
321 - 2



L	Stainless steel design Art.no.	Chrome design Art.no.
2500 mm	20.3212.238.20	20.3212.238.23
5000 mm	20.3212.538.20	20.3212.538.23

			
2 x 12.0739.038... (■ 290)	L 2500 mm: 3 x 12.0625.438... L 5000 mm: 5 x 12.0625.438... (■ 278)	L 2500 mm: 3 x 12.0501.038... L 5000 mm: 5 x 12.0501.038... (■ 281)	L 2500 mm: 1 x 12.8925.038... L 5000 mm: 1 x 12.0900.038... (■ 257)

321 - 3


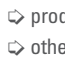


L	Stainless steel design Art.no.	Chrome design Art.no.
2500 mm	20.3213.238.20	20.3213.238.23
5000 mm	20.3213.538.20	20.3213.538.23

			
2 x 12.0733.038... (■ 289)	L 2500 mm: 3 x 12.0625.438... L 5000 mm: 5 x 12.0625.438... (■ 278)	L 2500 mm: 3 x 12.0501.038... L 5000 mm: 5 x 12.0501.038... (■ 281)	L 2500 mm: 1 x 12.8925.038... L 5000 mm: 1 x 12.0900.038... (■ 257)

For further details visit: www.g-fittings.com

Handrail - 322

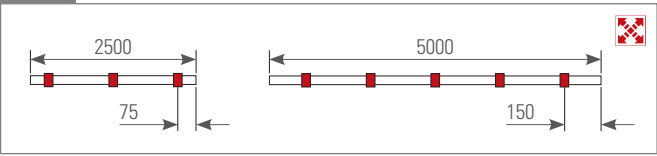
 production according to order
 other dimensions possible



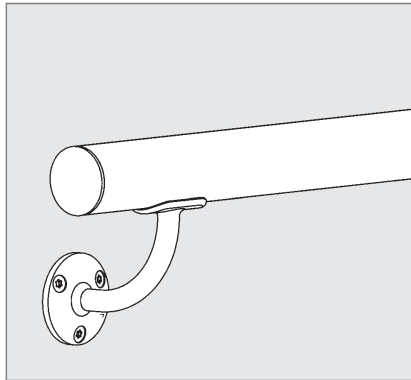
Wall

Stainless steel design / Chrome design / Brass design
 Ø 38,1 mm

INFO



322 - 1



L	Stainless steel design Art.no.	Chrome design Art.no.	Brass design Art.no.
2500 mm	20.3221.238.20	20.3221.238.23	20.3221.238.22
5000 mm	20.3221.538.20	20.3221.538.23	



2 x 11.0729.038...
 (≡ 288)

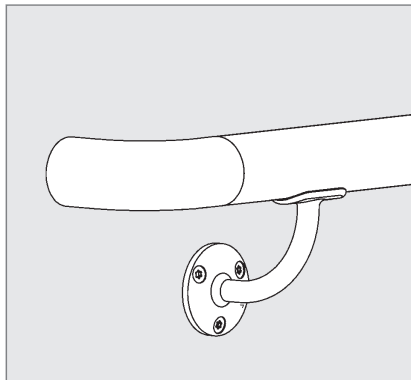


L 2500 mm:
 3 x 11.0111.038...
 L 5000 mm:
 5 x 11.0111.038...
 (≡ 150)



L 2500 mm:
 1 x 11/12.8925.038...
 L 5000 mm:
 1 x 12.0900.038...
 (≡ 257)

322 - 2



L	Stainless steel design Art.no.	Chrome design Art.no.	Brass design Art.no.
2500 mm	20.3222.238.20	20.3222.238.23	20.3222.238.22
5000 mm	20.3222.538.20	20.3222.538.23	



2 x 11/12.0739.038...
 (≡ 290)

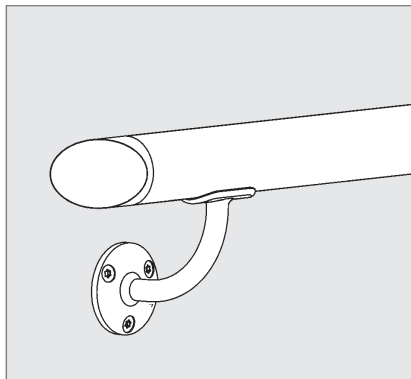


L 2500 mm:
 3 x 11.0111.038...
 L 5000 mm:
 5 x 11.0111.038...
 (≡ 150)



L 2500 mm:
 1 x 11/12.8925.038...
 L 5000 mm:
 1 x 12.0900.038...
 (≡ 257)

322 - 3



L	Stainless steel design Art.no.	Chrome design Art.no.	Brass design Art.no.
2500 mm	20.3223.238.20	20.3223.238.23	20.3223.238.22
5000 mm	20.3223.538.20	20.3223.538.23	



2 x 11/12.0733.038...
 (≡ 289)





L 2500 mm:
 3 x 11.0111.038...
 L 5000 mm:
 5 x 11.0111.038...
 (≡ 150)



L 2500 mm:
 1 x 11/12.8925.038...
 L 5000 mm:
 1 x 12.0900.038...
 (≡ 257)

For further details visit: www.g-fittings.com

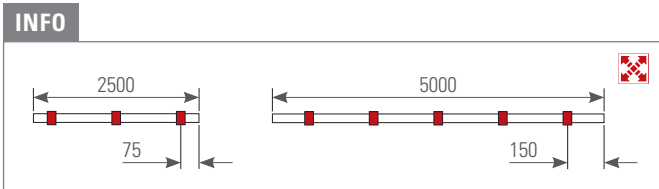
Handrail - 323

 production according to order
 other dimensions possible

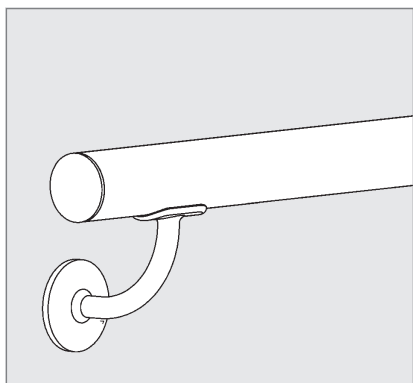


Wall

Stainless steel design / Chrome design / Brass design
 Ø 38,1 mm



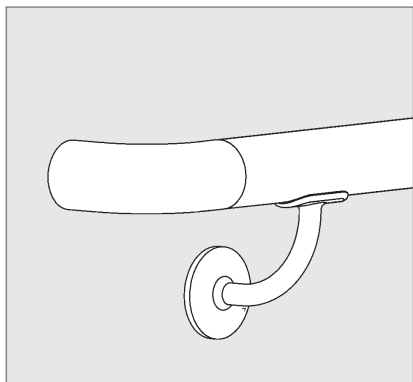
323 - 1



L	Stainless steel design Art.no.	Chrome design Art.no.	Brass design Art.no.
2500 mm	20.3231.238.20	20.3231.238.23	20.3231.238.22
5000 mm	20.3231.538.20	20.3231.538.23	

		
2 x 11.0729.038... (□ 288)	L 2500 mm: 3 x 11.0112.038... L 5000 mm: 5 x 11.0112.038... (□ 150)	L 2500 mm: 1 x 11/12.8925.038... L 5000 mm: 1 x 12.0900.038... (□ 257)

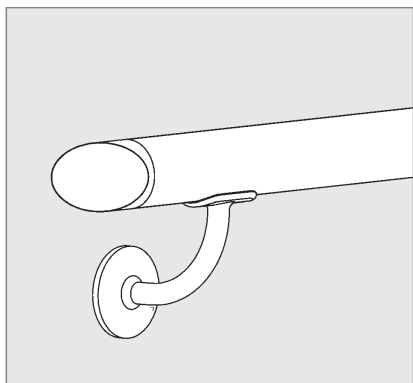
323 - 2



L	Stainless steel design Art.no.	Chrome design Art.no.	Brass design Art.no.
2500 mm	20.3232.238.20	20.3232.238.23	20.3232.238.22
5000 mm	20.3232.538.20	20.3232.538.23	

		
2 x 11/12.0739.038... (□ 290)	L 2500 mm: 3 x 11.0112.038... L 5000 mm: 5 x 11.0112.038... (□ 150)	L 2500 mm: 1 x 11/12.8925.038... L 5000 mm: 1 x 12.0900.038... (□ 257)

323 - 3




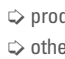
L	Stainless steel design Art.no.	Chrome design Art.no.	Brass design Art.no.
2500 mm	20.3233.238.20	20.3233.238.23	20.3233.238.22
5000 mm	20.3233.538.20	20.3233.538.23	

		
2 x 11/12.0733.038... (□ 289)	L 2500 mm: 3 x 11.0112.038... L 5000 mm: 5 x 11.0112.038... (□ 150)	L 2500 mm: 1 x 11/12.8925.038... L 5000 mm: 1 x 12.0900.038... (□ 257)

For further details visit: www.g-fittings.com



Handrail - 324

 production according to order
 other dimensions possible

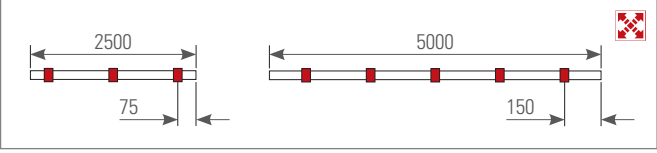


Glass

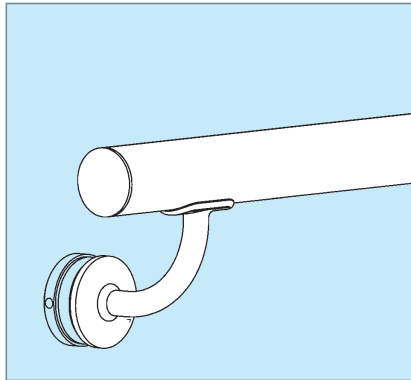
Stainless steel design / Chrome design / Brass design

Ø 38,1 mm



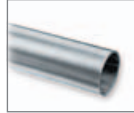
INFO



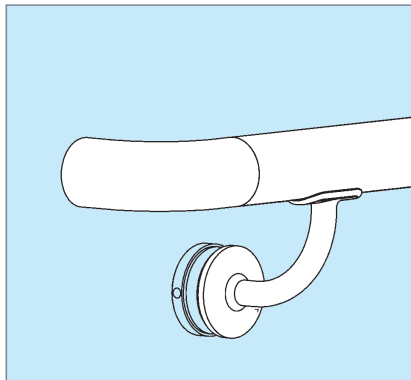
324 - 1





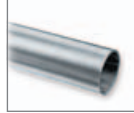
	Stainless steel design	Chrome design	Brass design
L	Art.no.	Art.no.	Art.no.
2500 mm	20.3241.238.20	20.3241.238.23	20.3241.238.22
5000 mm	20.3241.538.20	20.3241.538.23	

		
2 x 11.0729.038... (= 288)	L 2500 mm: 3 x 11.0113.038... L 5000 mm: 5 x 11.0113.038... (= 150)	L 2500 mm: 1 x 11/12.8925.038... L 5000 mm: 1 x 12.0900.038... (= 257)

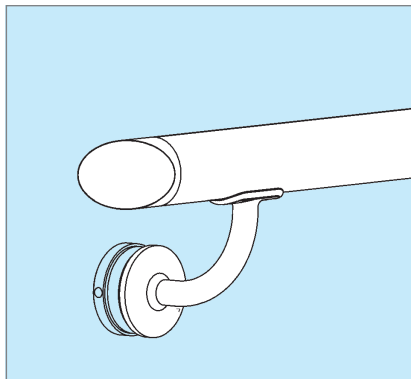
324 - 2





	Stainless steel design	Chrome design	Brass design
L	Art.no.	Art.no.	Art.no.
2500 mm	20.3242.238.20	20.3242.238.23	20.3242.238.22
5000 mm	20.3242.538.20	20.3242.538.23	

		
2 x 11/12.0739.038... (= 290)	L 2500 mm: 3 x 11.0113.038... L 5000 mm: 5 x 11.0113.038... (= 150)	L 2500 mm: 1 x 11/12.8925.038... L 5000 mm: 1 x 12.0900.038... (= 257)

324 - 3





	Stainless steel design	Chrome design	Brass design
L	Art.no.	Art.no.	Art.no.
2500 mm	20.3243.238.20	20.3243.238.23	20.3243.238.22
5000 mm	20.3243.538.20	20.3243.538.23	

		
2 x 11/12.0733.038... (= 289)	L 2500 mm: 3 x 11.0113.038... L 5000 mm: 5 x 11.0113.038... (= 150)	L 2500 mm: 1 x 11/12.8925.038... L 5000 mm: 1 x 12.0900.038... (= 257)

For further details visit: www.g-fittings.com

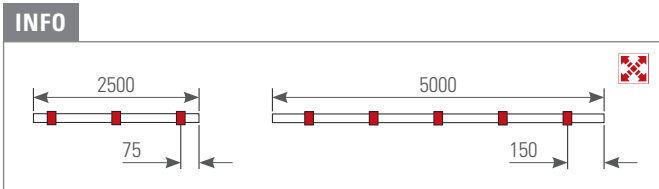
Handrail - 325

 production according to order
 other dimensions possible

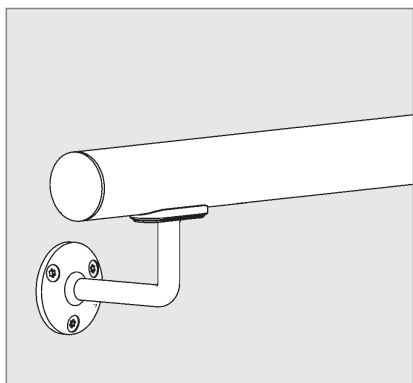


Wall

Stainless steel design / Chrome design / Brass design
 Ø 38,1 mm



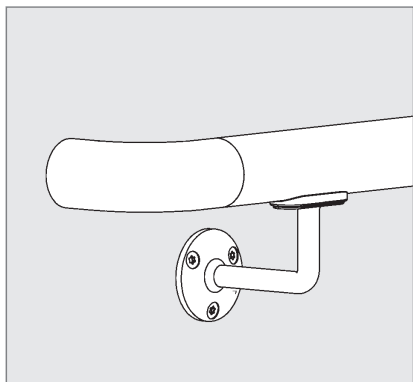
325 - 1



L	Stainless steel design Art.no.	Chrome design Art.no.	Brass design Art.no.
2500 mm	20.3251.238.20	20.3251.238.23	20.3251.238.22
5000 mm	20.3251.538.20	20.3251.538.23	

 2 x 11.0729.038... (= 288)	 L 2500 mm: 3 x 11.0119.000... L 5000 mm: 5 x 11.0119.000... (= 149)	 L 2500 mm: 1 x 11/12.8925.038... L 5000 mm: 1 x 12.0900.038... (= 257)
--	---	---

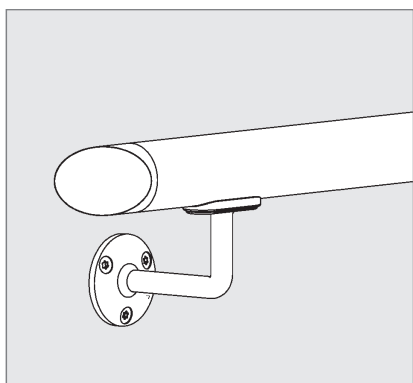
325 - 2



L	Stainless steel design Art.no.	Chrome design Art.no.	Brass design Art.no.
2500 mm	20.3252.238.20	20.3252.238.23	20.3252.238.22
5000 mm	20.3252.538.20	20.3252.538.23	

 2 x 11/12.0739.038... (= 290)	 L 2500 mm: 3 x 11.0119.000... L 5000 mm: 5 x 11.0119.000... (= 149)	 L 2500 mm: 1 x 11/12.8925.038... L 5000 mm: 1 x 12.0900.038... (= 257)
---	---	---

325 - 3




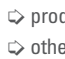
L	Stainless steel design Art.no.	Chrome design Art.no.	Brass design Art.no.
2500 mm	20.3253.238.20	20.3253.238.23	20.3253.238.22
5000 mm	20.3253.538.20	20.3253.538.23	

 2 x 11/12.0733.038... (= 289)	 L 2500 mm: 3 x 11.0119.000... L 5000 mm: 5 x 11.0119.000... (= 149)	 L 2500 mm: 1 x 11/12.8925.038... L 5000 mm: 1 x 12.0900.038... (= 257)
---	---	---

For further details visit: www.g-fittings.com



Handrail - 326

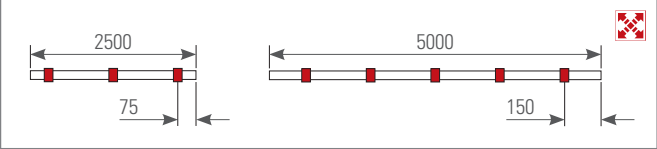
 production according to order
 other dimensions possible



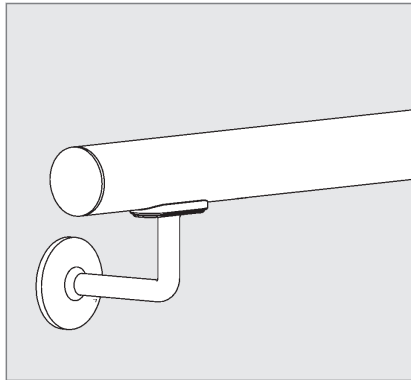
Wall

Stainless steel design / Chrome design / Brass design
 Ø 38,1 mm

INFO



326 - 1



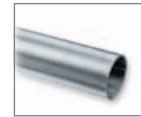
L	Stainless steel design Art.no.	Chrome design Art.no.	Brass design Art.no.
2500 mm	20.3261.238.20	20.3261.238.23	20.3261.238.22
5000 mm	20.3261.538.20	20.3261.538.23	



2 x 11.0729.038...
 (■ 288)

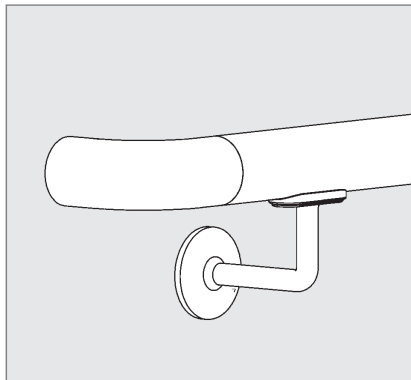


L 2500 mm:
 3 x 11.0120.000...
 L 5000 mm:
 5 x 11.0120.000...
 (■ 149)



L 2500 mm:
 1 x 11/12.8925.038...
 L 5000 mm:
 1 x 12.0900.038...
 (■ 257)

326 - 2



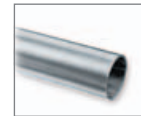
L	Stainless steel design Art.no.	Chrome design Art.no.	Brass design Art.no.
2500 mm	20.3262.238.20	20.3262.238.23	20.3262.238.22
5000 mm	20.3262.538.20	20.3262.538.23	



2 x 11/12.0739.038...
 (■ 290)

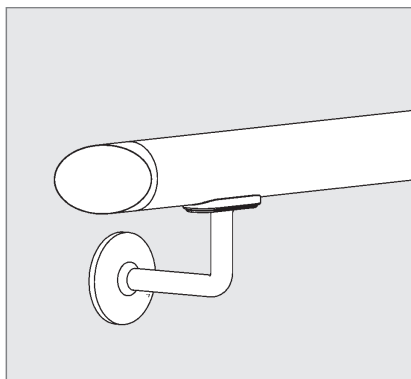


L 2500 mm:
 3 x 11.0120.000...
 L 5000 mm:
 5 x 11.0120.000...
 (■ 149)



L 2500 mm:
 1 x 11/12.8925.038...
 L 5000 mm:
 1 x 12.0900.038...
 (■ 257)

326 - 3



L	Stainless steel design Art.no.	Chrome design Art.no.	Brass design Art.no.
2500 mm	20.3263.238.20	20.3263.238.23	20.3263.238.22
5000 mm	20.3263.538.20	20.3263.538.23	



2 x 11/12.0733.038...
 (■ 289)





L 2500 mm:
 3 x 11.0120.000...
 L 5000 mm:
 5 x 11.0120.000...
 (■ 149)



L 2500 mm:
 1 x 11/12.8925.038...
 L 5000 mm:
 1 x 12.0900.038...
 (■ 257)

For further details visit: www.g-fittings.com

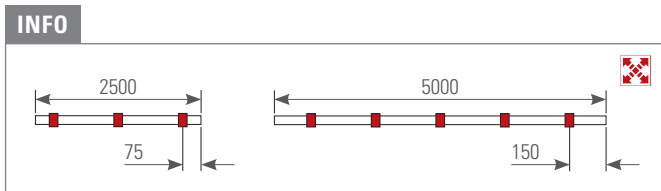
Handrail - 327

 production according to order
 other dimensions possible

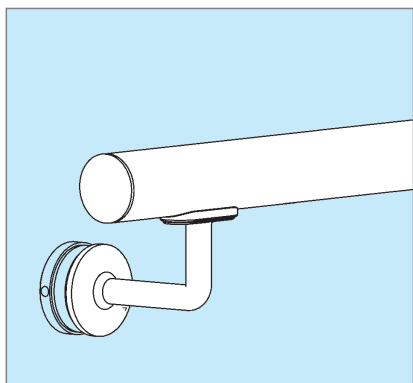


Glass

Stainless steel design / Chrome design / Brass design
 Ø 38,1 mm



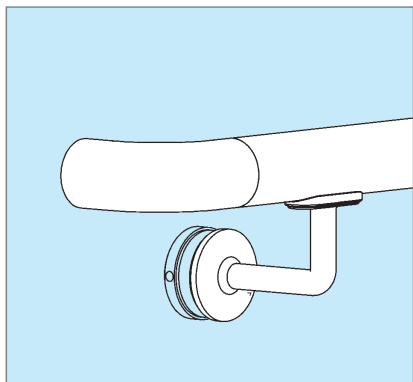
327 - 1





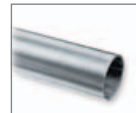
L	Stainless steel design Art.no.	Chrome design Art.no.	Brass design Art.no.
2500 mm	20.3271.238.20	20.3271.238.23	20.3271.238.22
5000 mm	20.3271.538.20	20.3271.538.23	

 2 x 11.0729.038... (= 288)	 L 2500 mm: 3 x 11.0121.000... L 5000 mm: 5 x 11.0121.000... (= 149)	 L 2500 mm: 1 x 11/12.8925.038... L 5000 mm: 1 x 12.0900.038... (= 257)
--	---	---

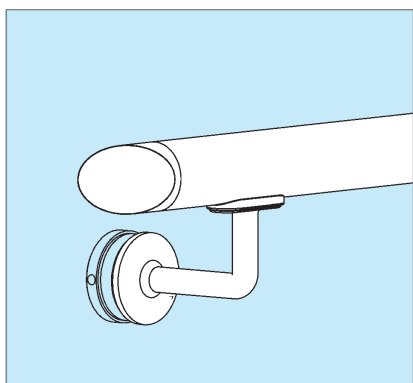
327 - 2





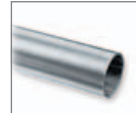
L	Stainless steel design Art.no.	Chrome design Art.no.	Brass design Art.no.
2500 mm	20.3272.238.20	20.3272.238.23	20.3272.238.22
5000 mm	20.3272.538.20	20.3272.538.23	

 2 x 11/12.0739.038... (= 290)	 L 2500 mm: 3 x 11.0121.000... L 5000 mm: 5 x 11.0121.000... (= 149)	 L 2500 mm: 1 x 11/12.8925.038... L 5000 mm: 1 x 12.0900.038... (= 257)
---	---	---

327 - 3

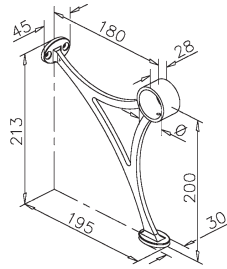


L	Stainless steel design Art.no.	Chrome design Art.no.	Brass design Art.no.
2500 mm	20.3273.238.20	20.3273.238.23	20.3273.238.22
5000 mm	20.3273.538.20	20.3273.538.23	

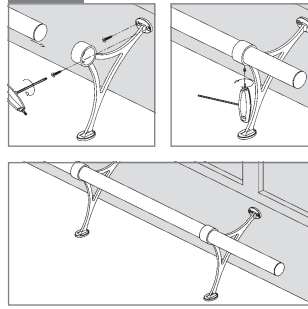
 2 x 11/12.0733.038... (= 289)	 L 2500 mm: 3 x 11.0121.000... L 5000 mm: 5 x 11.0121.000... (= 149)	 L 2500 mm: 1 x 11/12.8925.038... L 5000 mm: 1 x 12.0900.038... (= 257)
---	---	---

For further details visit: www.g-fittings.com

Bracket - 101



INFO 11.0101...

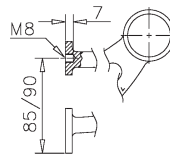
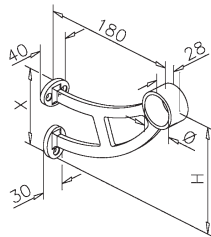


NEW Anthracite design



	Stainless steel design	Chrome design	Brass design	Anthracite design	
Ø	Art.no.	Art.no.	Art.no.	Art.no.	
38,1 mm (1,5")	11.0101.038.20	11.0101.038.23	11.0101.038.22	11.0101.038.26	2
50,8 mm (2")	11.0101.050.20	11.0101.050.23	11.0101.050.22		2

Bracket - 102

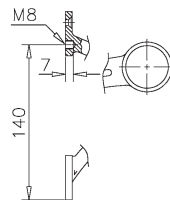
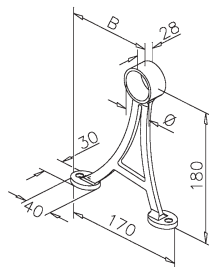


NEW Anthracite design



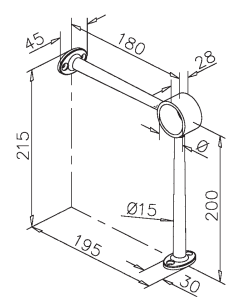
	Stainless steel design	Chrome design	Brass design	Anthracite design	H	X	
Ø	Art.no.	Art.no.	Art.no.	Art.no.			
38,1 mm (1,5")	11.0102.038.20	11.0102.038.23	11.0102.038.22	11.0102.038.26	140	100	2
50,8 mm (2")	12.0102.050.12	12.0102.050.10	11.0102.050.22		145	105	2

Bracket - 103



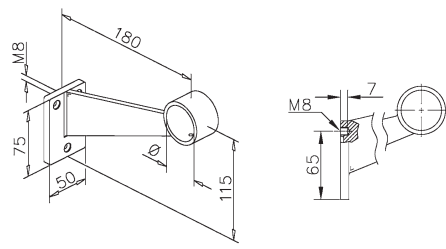
	Stainless steel design	Chrome design	Brass design		B	
Ø	Art.no.	Art.no.	Art.no.			
38,1 mm (1,5")	12.0103.038.12	12.0103.038.10	11.0103.038.22		120	2
50,8 mm (2")	12.0103.050.12	12.0103.050.10	11.0103.050.22		130	2

Bracket - 104



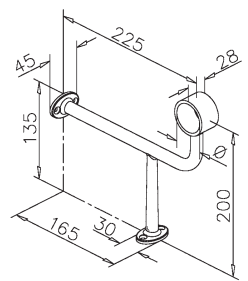
Ø	Stainless steel design Art.no.	Chrome design Art.no.	Brass design Art.no.	Anthracite design Art.no.	
38,1 mm (1,5")	11.0104.038.20	11.0104.038.23	11.0104.038.22	11.0104.038.26	2
50,8 mm (2")	11.0104.050.20	11.0104.050.23	11.0104.050.22		2

Bracket - 109



Ø	Stainless steel design Art.no.	Chrome design Art.no.	Brass design Art.no.	
38,1 mm (1,5")	11.0109.038.20	11.0109.038.23	11.0109.038.22	2
50,8 mm (2")	11.0109.050.20	11.0109.050.23	11.0109.050.22	2

Bracket - 107



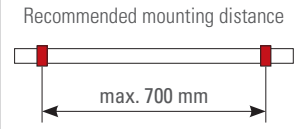
Ø	Stainless steel design Art.no.	Chrome design Art.no.	Brass design Art.no.	
38,1 mm (1,5")	12.0107.038.12	12.0107.038.10	11.0107.038.22	2
50,8 mm (2")	12.0107.050.12	12.0107.050.10	11.0107.050.22	2

Brackets variable - 2100 / 2110

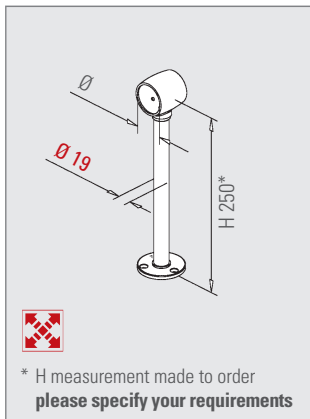


Stainless steel design / Chrome design / Brass design / Anthracite design
 Ø 25,4 mm / Ø 38,1 mm / Ø 50,8 mm

INFO Brackets



Model 2100



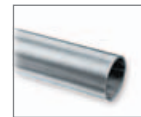
Ø	Art.no.	Stainless steel design Art.no.	Chrome design Art.no.	Brass design Art.no.
25,4 mm (1")	20.2100.025...	...20	...23	...22
38,1 mm (1,5")	20.2100.038...	...20	...23	...22
50,8 mm (2")	20.2100.050...	...20	...23	...22



1 x 11.0217...
 (■ 271)



1 x 11.0503.025...
 (■ 282)

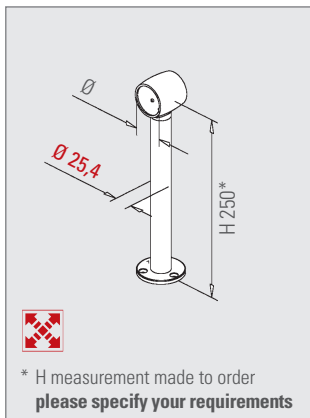


1 x 11/12.8900.019...
 (■ 257)



1 x 93.8800.820.15
 (■ 301)

Model 2110



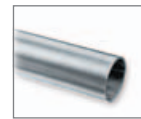
Ø	Art.no.	Stainless steel design Art.no.	Chrome design Art.no.	Brass design Art.no.	Anthracite design Art.no.
25,4 mm (1")	20.2110.025...	...20	...23	...22	...26
38,1 mm (1,5")	20.2110.038...	...20	...23	...22	...26
50,8 mm (2")	20.2110.050...	...20	...23	...22	...



1 x 11.0217...
 (■ 271)



1 x 11.0503.025...
 (■ 282)



1 x 11/12.8900.025...
 (■ 257)



1 x 93.8800.820.15
 (■ 301)

NEW



⇨ production according to order
 ⇨ other dimensions possible

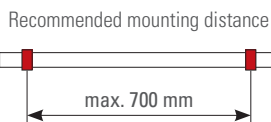


Brackets variable - 2120 / 2130 / 2140

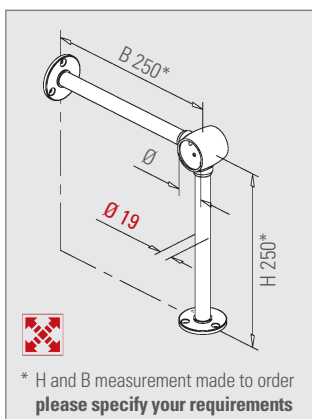


Stainless steel design / Chrome design / Brass design / Anthracite design
 Ø 38,1 mm / Ø 50,8 mm

INFO Brackets



Model 2120



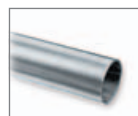
Ø	Art.no.	Stainless steel design Art.no.	Chrome design Art.no.	Brass design Art.no.
38,1 mm (1,5")	20.2120.038...	...20	...23	...22
50,8 mm (2")	20.2120.050...	...20	...23	...22



1 x 11.0216...
 (■ 271)



2 x 11.0503.025...
 (■ 282)

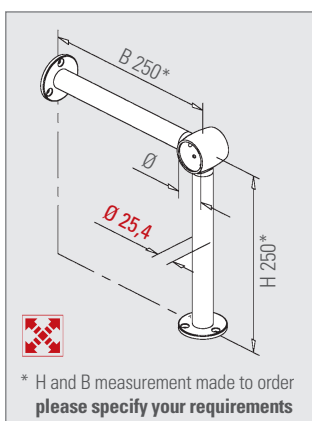


2 x 11/12.8900.019...
 (■ 257)



2 x 93.8800.820.15
 (■ 301)

Model 2130



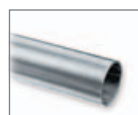
Ø	Art.no.	Stainless steel design Art.no.	Chrome design Art.no.	Brass design Art.no.	Anthracite design Art.no.
38,1 mm (1,5")	20.2130.038...	...20	...23	...22	...26
50,8 mm (2")	20.2130.050...	...20	...23	...22	



1 x 11.0216...
 (■ 271)



2 x 11.0503.025...
 (■ 282)



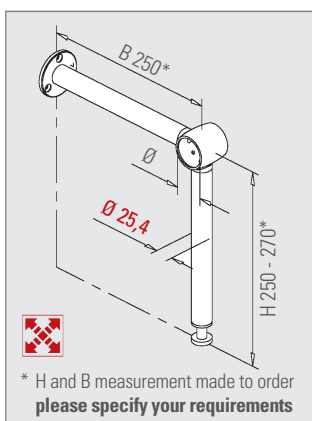
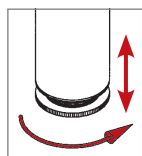
2 x 11/12.8900.025...
 (■ 257)



2 x 93.8800.820.15
 (■ 301)

NEW

Model 2140



Ø	Art.no.	Stainless steel design Art.no.	Chrome design Art.no.	Brass design Art.no.	Anthracite design Art.no.
38,1 mm (1,5")	20.2140.038...	...20	...23	...22	...26
50,8 mm (2")	20.2140.050...	...20	...23	...22	



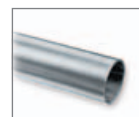
1 x 11.0216...
 (■ 271)



1 x 11.0503.025...
 (■ 282)



1 x 18.0062.025...
 (■ 292)



2 x 11/12.8900.025...
 (■ 257)



2 x 93.8800.820.15
 (■ 301)

NEW

Bracket - 119



Stainless steel design

Art.no.

11.0119.000.20

Chrome design

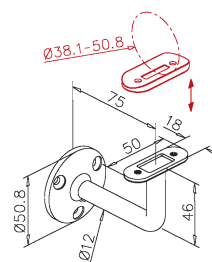
Art.no.

11.0119.000.23

Brass design

Art.no.

11.0119.000.22



2

Bracket - 120



Stainless steel design

Art.no.

11.0120.000.20

Chrome design

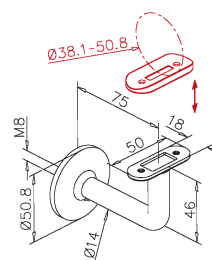
Art.no.

11.0120.000.23

Brass design

Art.no.

11.0120.000.22



2

Bracket - 121



Stainless steel design

Art.no.

11.0121.000.20

Chrome design

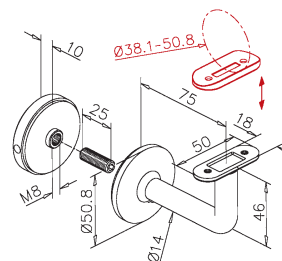
Art.no.

11.0121.000.23

Brass design

Art.no.

11.0121.000.22



glass

8 - 12,76 mm



2

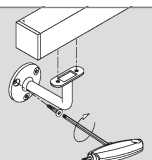
INFO Protection



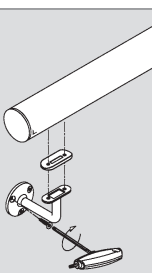
EXTRA-CLEAN
300 ml
Protecting spray

Art.no.
19.0600.000.00

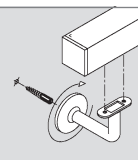
INFO 11.0119.000...



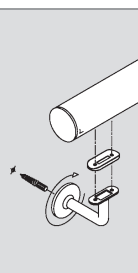
incl. adapter
for tube
Ø 38,1-50,8 mm



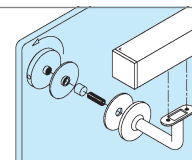
INFO 11.0120.000...



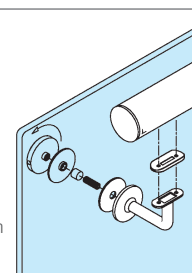
incl. adapter
for tube
Ø 38,1-50,8 mm



INFO 11.0121.000...



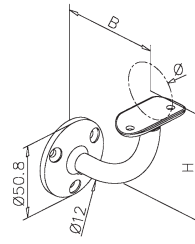
incl. adapter
for tube
Ø 38,1-50,8 mm



Bracket - 111



Stainless steel design



NEW Anthracite design

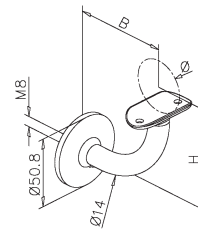


Ø	Stainless steel design Art.no.	Chrome design Art.no.	Brass design Art.no.	Anthracite design Art.no.	H	B	
38,1 mm (1,5")	11.0111.038.20	11.0111.038.23	11.0111.038.22	11.0111.038.26	75	70	2
50,8 mm (2")	11.0111.050.20	11.0111.050.23	11.0111.050.22		82	75	2

Bracket - 112



Stainless steel design

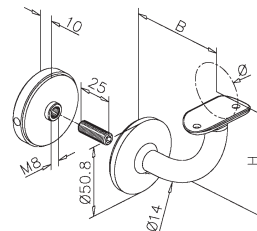


Ø	Stainless steel design Art.no.	Chrome design Art.no.	Brass design Art.no.	H	B	
38,1 mm (1,5")	11.0112.038.20	11.0112.038.23	11.0112.038.22	75	70	2
50,8 mm (2")	11.0112.050.20	11.0112.050.23	11.0112.050.22	82	75	2

Bracket - 113



Stainless steel design



Ø	Stainless steel design Art.no.	Chrome design Art.no.	Brass design Art.no.	glass	H	B	
38,1 mm (1,5")	11.0113.038.20	11.0113.038.23	11.0113.038.22	8 - 12,76 mm	75	70	2
50,8 mm (2")	11.0113.050.20	11.0113.050.23	11.0113.050.22	8 - 12,76 mm	82	75	2

INFO Brackets

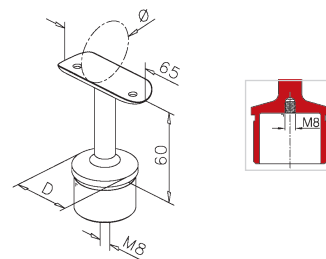
Recommended mounting distance
max. 700 mm

INFO 11.0111...

INFO 11.0112...

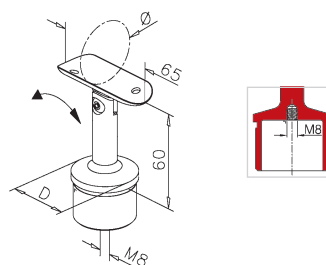
INFO 11.0113...

Straight saddle 90° - 710



	Stainless steel design	Chrome design	Brass design		
Ø	Art.no.	Art.no.	Art.no.	D	
38,1 mm (1,5")	12.0710.038.12	12.0710.038.10	11.0710.038.22	Ø38,1 (1,5")	2
50,8 mm (2")	12.0710.050.12	12.0710.050.10	11.0710.050.22	Ø50,8 (2")	2

Adjustable saddle 20°-90° - 714



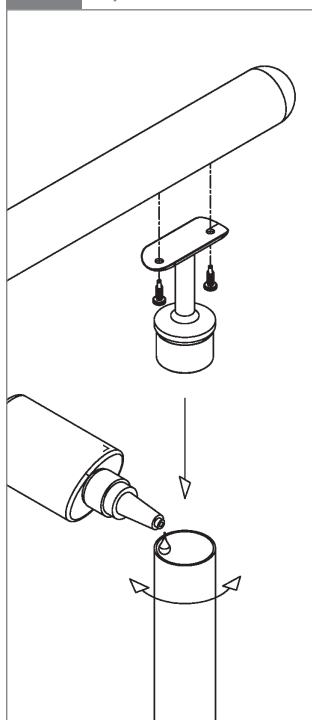
	Stainless steel design	Chrome design	Brass design		
Ø	Art.no.	Art.no.	Art.no.	D	
38,1 mm (1,5")	12.0714.038.12	12.0714.038.10	11.0714.038.22	Ø38,1 (1,5")	2
50,8 mm (2")	12.0714.050.12	12.0714.050.10	11.0714.050.22	Ø50,8 (2")	2

4

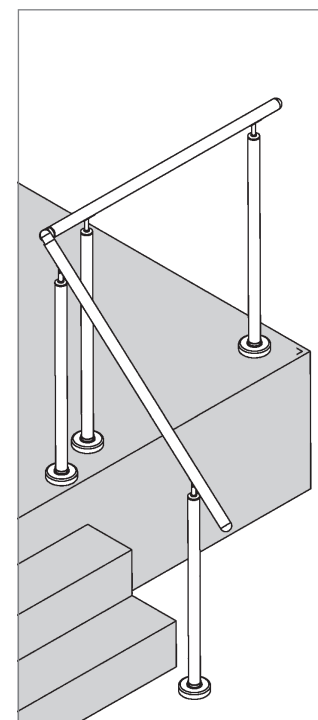
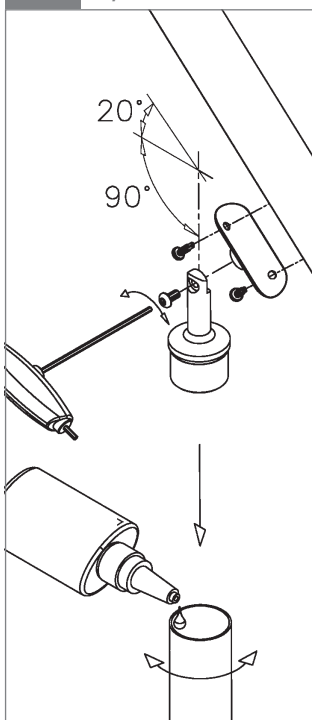
INFO Fixation



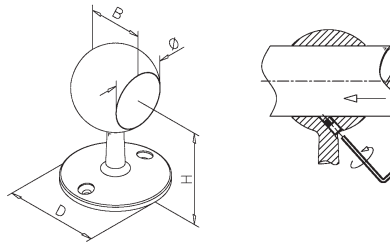
INFO 11/12.0710...



INFO 11/12.0714...



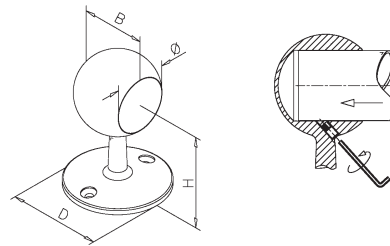
Ball centre post - 600



	Stainless steel design	Chrome design	Brass design	Anthracite design		H	D	B	
Ø	Art.no.	Art.no.	Art.no.	Art.no.					
25,4 mm (1")	11.0600.025.20	11.0600.025.23	11.0600.025.22			65	Ø60	30	2
38,1 mm (1,5")	11.0600.038.20	11.0600.038.23	11.0600.038.22	11.0600.038.26		70	Ø70	40	2
50,8 mm (2")	11.0600.050.20	11.0600.050.23	11.0600.050.22			80	Ø80	46	2

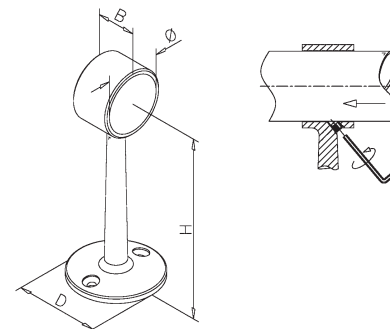
4

Ball end post - 601



	Stainless steel design	Chrome design	Brass design	Anthracite design		H	D	B	
Ø	Art.no.	Art.no.	Art.no.	Art.no.					
25,4 mm (1")	11.0601.025.20	11.0601.025.23	11.0601.025.22			65	Ø60	35	2
38,1 mm (1,5")	11.0601.038.20	11.0601.038.23	11.0601.038.22	11.0601.038.26		70	Ø70	48	2
50,8 mm (2")	11.0601.050.20	11.0601.050.23	11.0601.050.22			80	Ø80	58	2

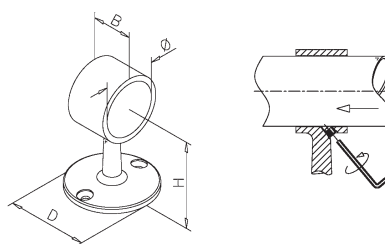
Flat centre post - 604




	Stainless steel design	Chrome design	Brass design		H	D	B	
Ø	Art.no.	Art.no.	Art.no.					
25,4 mm (1")	12.0604.025.12	12.0604.025.10	11.0604.025.22		130	Ø45	20	2
38,1 mm (1,5")	12.0604.038.12	12.0604.038.10	11.0604.038.22		130	Ø60	28	2

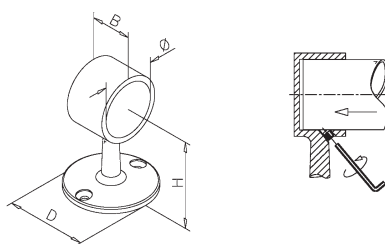
Flat centre post - 602


NEW Anthracite design



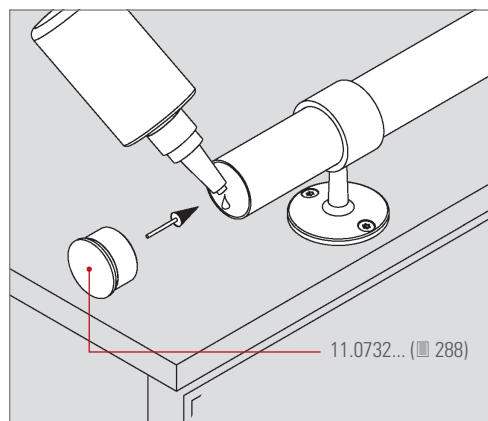
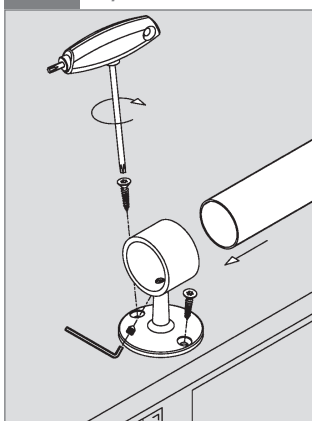
Ø	Stainless steel design	Chrome design	Brass design	Anthracite design	H	D	B	
	Art.no.	Art.no.	Art.no.	Art.no.				
19,0 mm	12.0602.019.12	12.0602.019.10	11.0602.019.22		45	Ø35	15	2
25,4 mm (1")	11.0602.025.20	11.0602.025.23	11.0602.025.22	11.0602.025.26	55	Ø45	20	2
38,1 mm (1,5")	11.0602.038.20	11.0602.038.23	11.0602.038.22	11.0602.038.26	65	Ø60	28	2
50,8 mm (2")	11.0602.050.20	11.0602.050.23	11.0602.050.22		80	Ø70	28	2

Flat end post - 603



Ø	Stainless steel design	Chrome design	Brass design	H	D	B	
	Art.no.	Art.no.	Art.no.				
19,0 mm	12.0603.019.12	12.0603.019.10	11.0603.019.22	45	Ø35	15	2
25,4 mm (1")	11.0603.025.20	11.0603.025.23	11.0603.025.22	55	Ø45	20	2
38,1 mm (1,5")	11.0603.038.20	11.0603.038.23	11.0603.038.22	65	Ø60	30	2
50,8 mm (2")	11.0603.050.20	11.0603.050.23	11.0603.050.22	80	Ø70	28	2

INFO 11/12.0602...



4

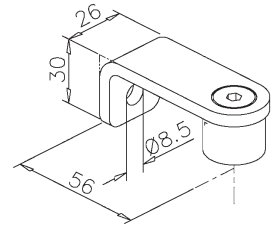
Bracket - 109 / 025

NEW



Stainless steel design

Ø	Art.no.	
25,4 mm (1")	47.0109.025.12	1



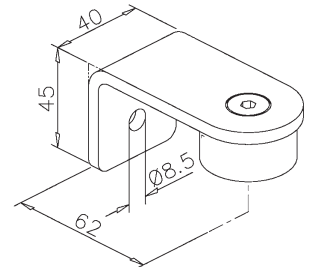
Bracket - 109 / 038

NEW

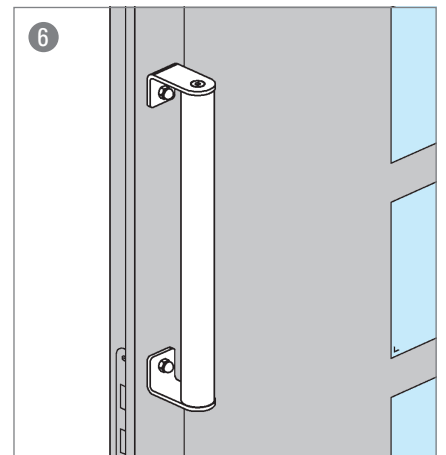
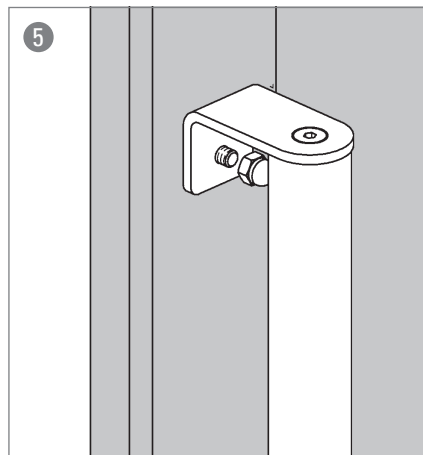
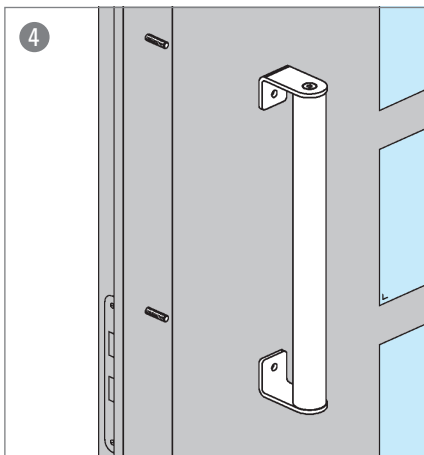
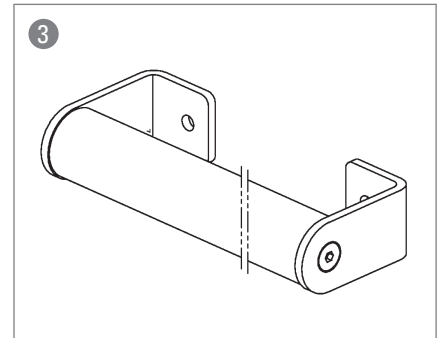
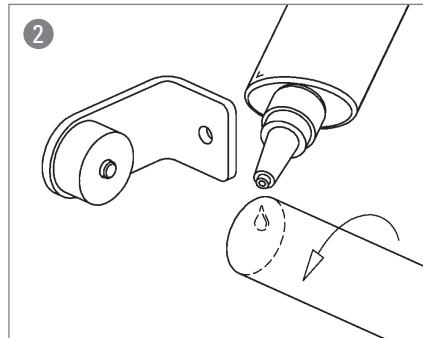
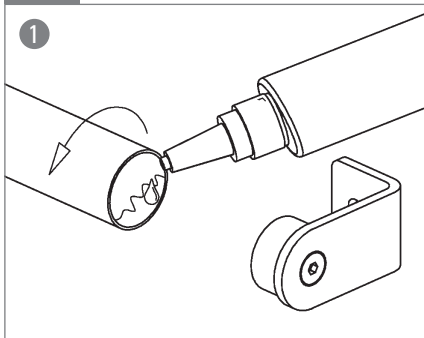


Stainless steel design

Ø	Art.no.	
38,1 mm (1,5")	47.0109.038.12	1



INFO 47.0109...




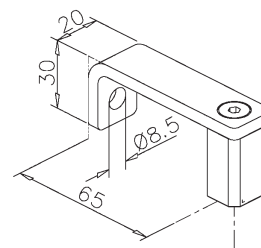
Bracket - 4109 / 020

NEW



Stainless steel design

□	Art.no.	
20 x 20 mm	47.4109.020.12	1



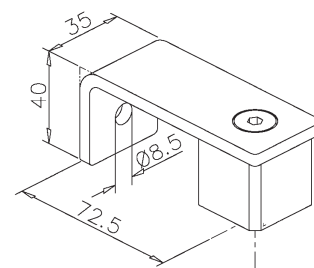
Bracket - 4109 / 035

NEW



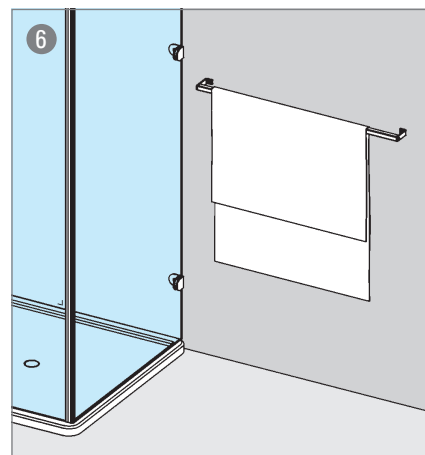
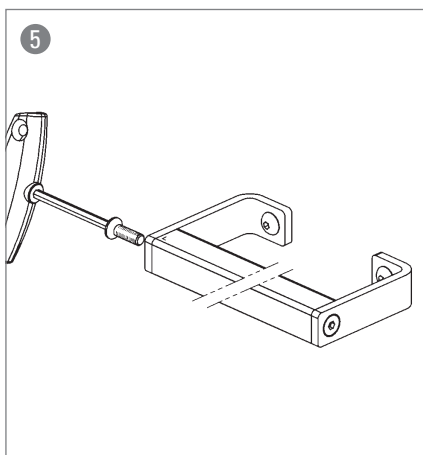
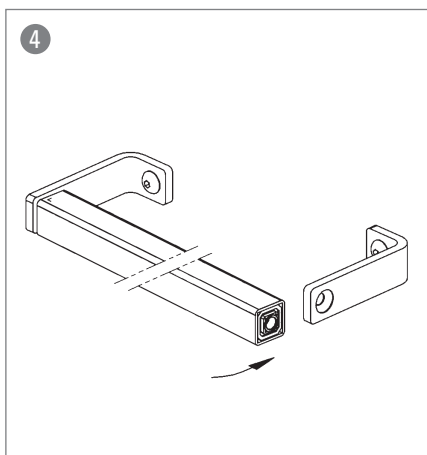
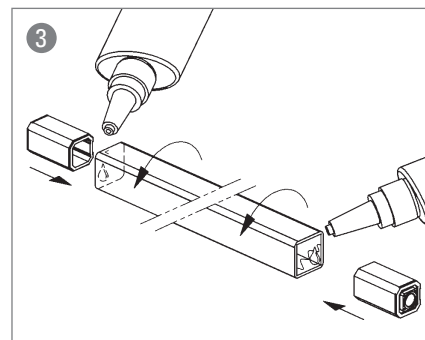
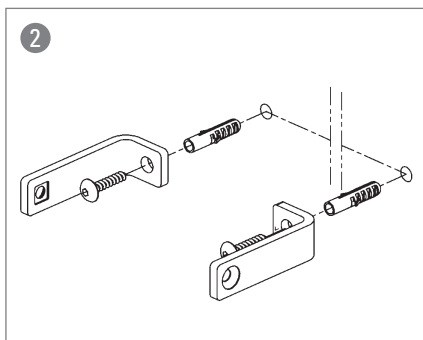
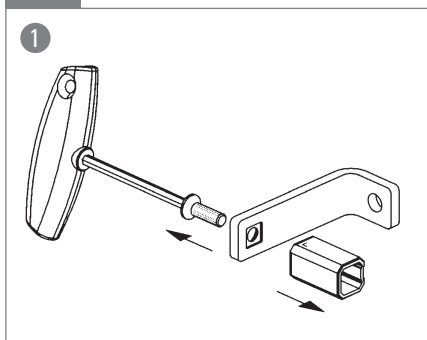
Stainless steel design

□	Art.no.	
35 x 35 mm	47.4109.035.12	1



4

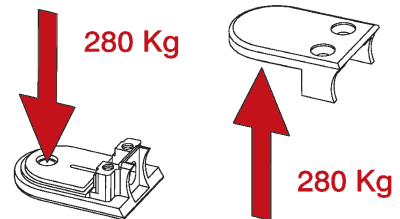
INFO 47.4109...



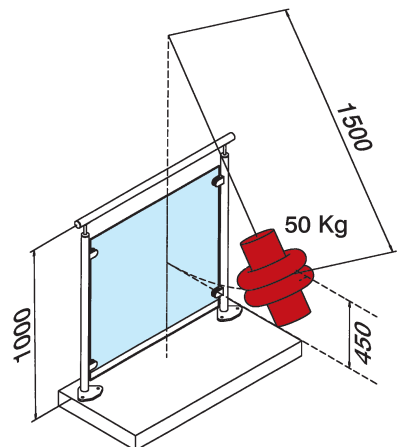
INFO Glass clamps



- Glass clamps for semi-toughened and toughened laminated glass
- Glass width maximum 1600 mm
- Certified clamps for fast approval
- No static calculations



DIN/EN 12600



For further details visit:

www.g-fittings.com



Finishes



Stainless steel
satin grain 320
Art.no. ...12



Stainless steel
polished
Art.no. ...10



Zintec
raw
Art.no. ...00



Zintec
stainless steel effect
Art.no. ...20



Zintec
brass effect polished
Art.no. ...22



Zintec
chrome effect polished
Art.no. ...23



Zintec
anthracite effect
Art.no. ...26

NEW

Model 20

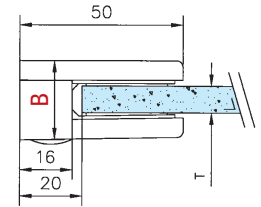
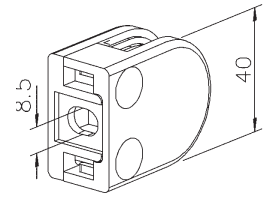


DIN/EN 12600



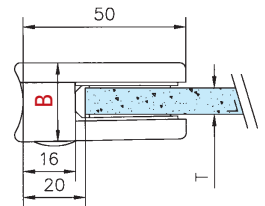
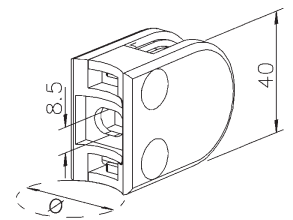
Flat glass clamp

	T	Art.no.	
MONO	6 mm	...2006.000...	4
	8 mm	...2008.000...	4
LAM.	6,76 (3 - 0,76 - 3) mm	...2007.000...	4

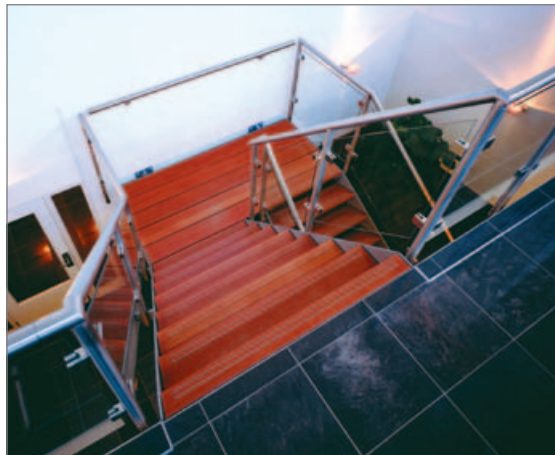


Glass clamp for tube

	T	∅	Art.no.	
MONO	6 mm	25,4 - 30,0 mm	...2006.025...	4
	8 mm	25,4 - 30,0 mm	...2008.025...	4
	6 mm	38,1 - 42,4 mm	...2006.038...	4
	8 mm	38,1 - 42,4 mm	...2008.038...	4
LAM.	6,76 (3 - 0,76 - 3) mm	25,4 - 30,0 mm	...2007.025...	4
	6,76 (3 - 0,76 - 3) mm	38,1 - 42,4 mm	...2007.038...	4



304 (V2A): B = 24
Zintec: B = 26



INFO Accessories



INFO Finishes


<p>Stainless steel 304 (V2A) satin grain 320 Art.no. 12.20 _ _ _ _ .12</p>	<p>Zintec raw Art.no. 10.20 _ _ _ _ .00</p>	<p>Zintec stainless steel effect Art.no. 10.20 _ _ _ _ .20</p>	<p>Zintec brass effect polished Art.no. 10.20 _ _ _ _ .22</p>	<p>Zintec chrome effect polished Art.no. 10.20 _ _ _ _ .23</p>
--	---	--	---	--

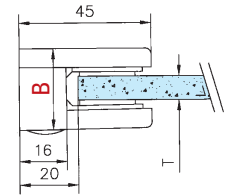
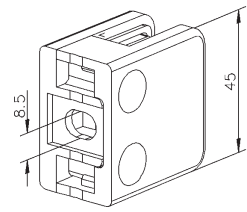


Model 21




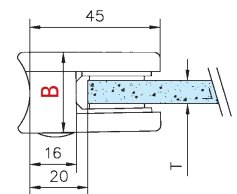
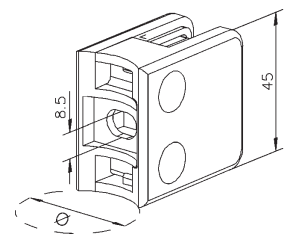
Flat glass clamp

	T	Art.no.	
MONO	6 mm	...2106.000...	4
	8 mm	...2108.000...	4
	10 mm	...2110.000...	4
LAM.	6,76 (3 - 0,76 - 3) mm	...2107.000...	4
	8,76 (4 - 0,76 - 4) mm	...2109.000...	4
	9,52 (4 - 1,52 - 4) mm	...2144.000...	4



Glass clamp for tube

	T	∅	Art.no.	
MONO	6 mm	38,1 - 42,4 mm	...2106.038...	4
	8 mm	38,1 - 42,4 mm	...2108.038...	4
	10 mm	38,1 - 42,4 mm	...2110.038...	4
LAM.	6,76 (3 - 0,76 - 3) mm	38,1 - 42,4 mm	...2107.038...	4
	8,76 (4 - 0,76 - 4) mm	38,1 - 42,4 mm	...2109.038...	4
	9,52 (4 - 1,52 - 4) mm	38,1 - 42,4 mm	...2144.038...	4



304 (V2A): B = 28
Zintec: B = 30

INFO Accessories



INFO Finishes

 <p>Stainless steel 304 (V2A) satin grain 320 Art.no. 12.21 ____ .12</p>	 <p>Zintec raw Art.no. 10.21 ____ .00</p>	 <p> Zintec stainless steel effect Art.no. 10.21 ____ .20</p>	 <p> Zintec brass effect polished Art.no. 10.21 ____ .22</p>	 <p> Zintec chrome effect polished Art.no. 10.21 ____ .23</p>
---	--	---	---	---

Model 22

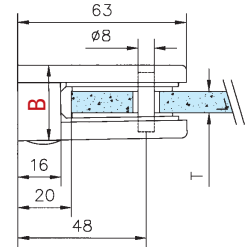
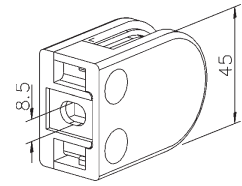


DIN/EN 12600



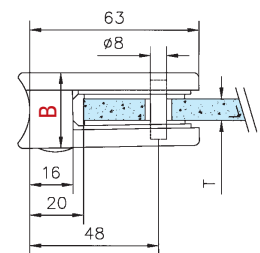
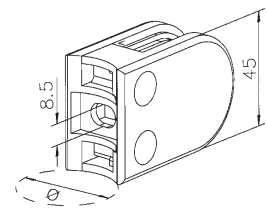
Flat glass clamp

	T	Art.no.	
MONO	6 mm	...2206.000...	4
	8 mm	...2208.000...	4
	10 mm	...2210.000...	4
LAM.	6,76 (3 - 0,76 - 3) mm	...2207.000...	4
	8,76 (4 - 0,76 - 4) mm	...2209.000...	4
	9,52 (4 - 1,52 - 4) mm	...2244.000...	4



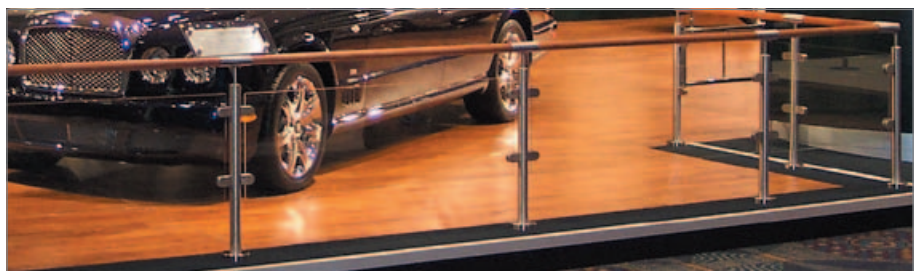
Glass clamp for tube

	T	Ø	Art.no.	
MONO	6 mm	38,1 - 42,4 mm	...2206.038...	4
	8 mm	38,1 - 42,4 mm	...2208.038...	4
	10 mm	38,1 - 42,4 mm	...2210.038...	4
LAM.	6 mm	48,3 - 50,8 mm	...2206.050...	4
	8 mm	48,3 - 50,8 mm	...2208.050...	4
	10 mm	48,3 - 50,8 mm	...2210.050...	4
	6,76 (3 - 0,76 - 3) mm	38,1 - 42,4 mm	...2207.038...	4
	8,76 (4 - 0,76 - 4) mm	38,1 - 42,4 mm	...2209.038...	4
	9,52 (4 - 1,52 - 4) mm	38,1 - 42,4 mm	...2244.038...	4
	6,76 (3 - 0,76 - 3) mm	48,3 - 50,8 mm	...2207.050...	4
	8,76 (4 - 0,76 - 4) mm	48,3 - 50,8 mm	...2209.050...	4
	9,52 (4 - 1,52 - 4) mm	48,3 - 50,8 mm	...2244.050...	4



304 (V2A): B = 28
Zintec: B = 30

INFO Accessories




INFO Finishes

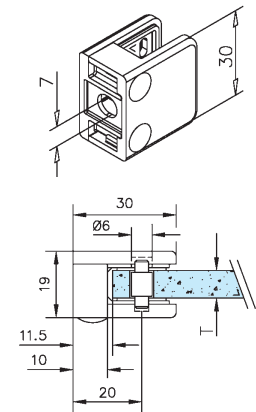
<p>Stainless steel 304 (V2A) satin grain 320 Art.no. 12.22 _ _ _ _ .12</p>	<p>Zintec raw Art.no. 10.22 _ _ _ _ .00</p>	<p>Zintec stainless steel effect Art.no. 10.22 _ _ _ _ .20</p>	<p>Zintec brass effect polished Art.no. 10.22 _ _ _ _ .22</p>	<p>Zintec chrome effect polished Art.no. 10.22 _ _ _ _ .23</p>
--	---	--	---	--

Model 23




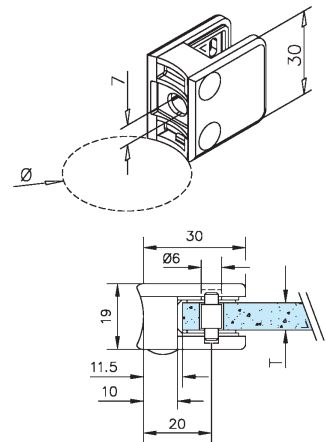
Flat glass clamp

	T	Art.no.	
MONO	6 mm	...2306.000...	4
	8 mm	...2308.000...	4
LAM.	6,76 (3 - 0,76 - 3) mm	...2332.000...	4
	8,76 (4 - 0,76 - 4) mm	...2342.000...	4

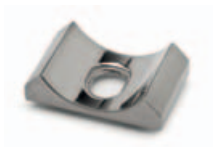



Glass clamp for tube

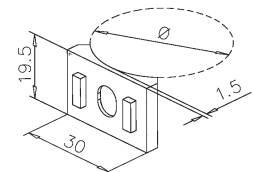
	T	Ø	Art.no.	
MONO	6 mm	25,4 - 30,0 mm	...2306.025...	4
	8 mm	25,4 - 30,0 mm	...2308.025...	4
	6 mm	38,1 - 42,4 mm	...2306.038...	4
	8 mm	38,1 - 42,4 mm	...2308.038...	4
LAM.	6,76 (3 - 0,76 - 3) mm	25,4 - 30,0 mm	...2332.025...	4
	8,76 (4 - 0,76 - 4) mm	25,4 - 30,0 mm	...2342.025...	4
	6,76 (3 - 0,76 - 3) mm	38,1 - 42,4 mm	...2332.038...	4
	8,76 (4 - 0,76 - 4) mm	38,1 - 42,4 mm	...2342.038...	4



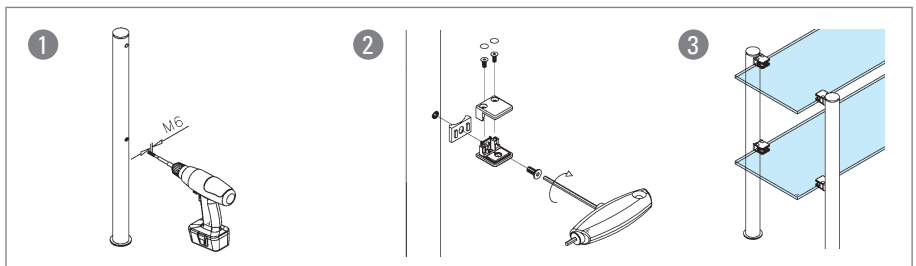
Adapter horizontal - Zintec



Ø	Art.no.	
25,4 - 30,0 mm	10.0747.025...	10
38,1 - 42,4 mm	10.0747.038...	10



INFO Accessories



INFO Finishes

 <p>Stainless steel 304 (V2A) satin grain 320 Art.no. 12.23 _ _ _ _ .12</p>	 <p>Zintec raw Art.no. 10.23 _ _ _ _ .00</p>	 <p>Zintec stainless steel effect Art.no. 10.23 _ _ _ _ .20</p>	 <p>Zintec brass effect polished Art.no. 10.23 _ _ _ _ .22</p>	 <p>Zintec chrome effect polished Art.no. 10.23 _ _ _ _ .23</p>	 <p>Zintec anthracite effect Art.no. 10.23 _ _ _ _ .26</p> <p>NEW</p>
--	---	--	---	--	---


Model 24

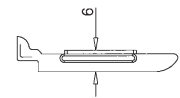
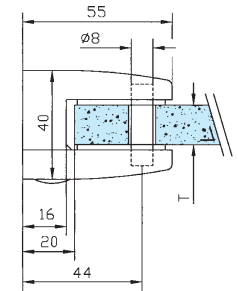
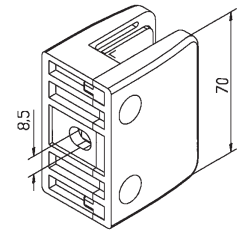


DIN/EN 12600




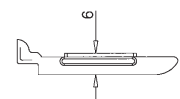
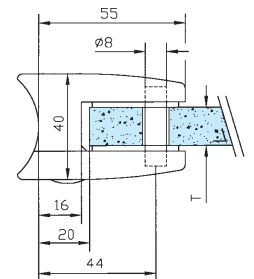
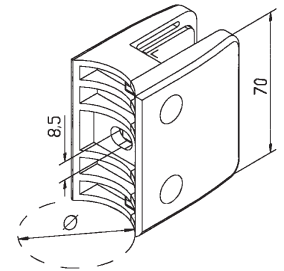
Flat glass clamp

	T	Art.no.	
MONO	12 mm	12.2412.000.12	4
LAM.	12,76 (6 - 0,76 - 6) mm	12.2413.000.12	4
	16,76 (8 - 0,76 - 8) mm	12.2417.000.12	4
	17,52 (8 - 1,52 - 8) mm	12.2418.000.12	4
	9,52 (4 - 1,52 - 4) mm	12.2444.000.12	4
	11,52 (5 - 1,52 - 5) mm	12.2454.000.12	4
	13,52 (6 - 1,52 - 6) mm	12.2464.000.12	4



Glass clamp for tube

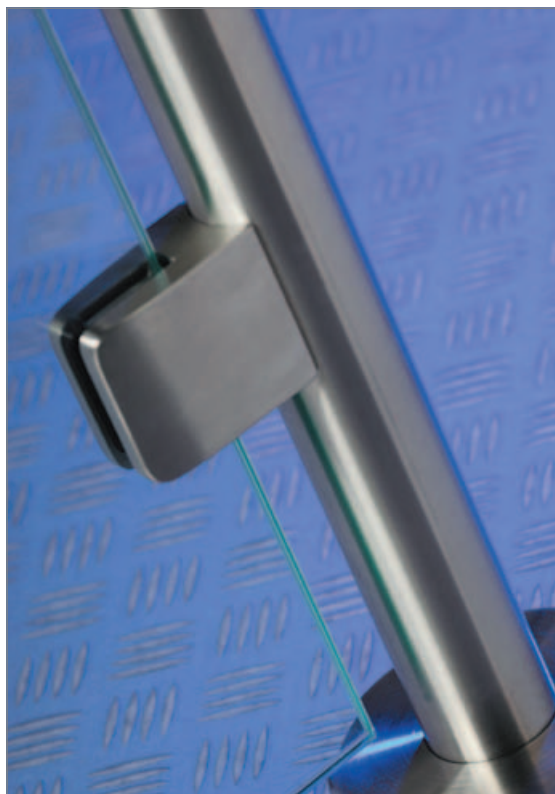
	T	Ø	Art.no.	
MONO	12 mm	48,3 - 50,8 mm	12.2412.050.12	4
LAM.	12,76 (6 - 0,76 - 6) mm	48,3 - 50,8 mm	12.2413.050.12	4
	16,76 (8 - 0,76 - 8) mm	48,3 - 50,8 mm	12.2417.050.12	4
	17,52 (8 - 1,52 - 8) mm	48,3 - 50,8 mm	12.2418.050.12	4
	9,52 (4 - 1,52 - 4) mm	48,3 - 50,8 mm	12.2444.050.12	4
	11,52 (5 - 1,52 - 5) mm	48,3 - 50,8 mm	12.2454.050.12	4
	13,52 (6 - 1,52 - 6) mm	48,3 - 50,8 mm	12.2464.050.12	4



INFO Accessories



INFO Finish



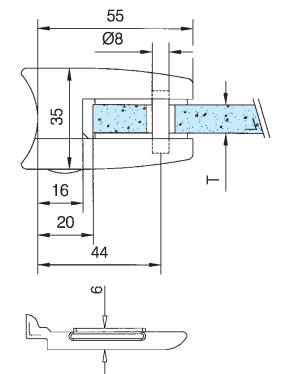
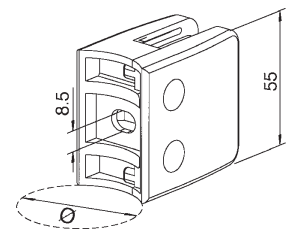
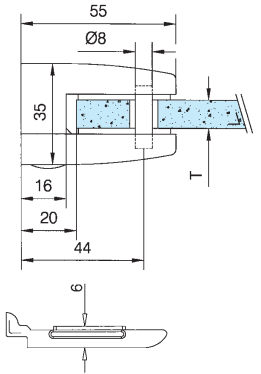
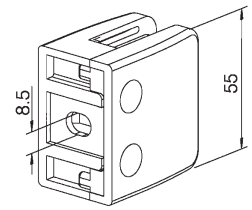


Model 26



Flat glass clamp

	T	Art.no.	
MONO	8 mm	...2608.000...	4
	10 mm	...2610.000...	4
	12 mm	...2612.000...	4
LAM.	8,76 (4 - 0,76 - 4) mm	...2609.000...	4
	10,76 (5 - 0,76 - 5) mm	...2611.000...	4
	12,76 (6 - 0,76 - 6) mm	...2613.000...	4
	9,52 (4 - 1,52 - 4) mm	...2644.000...	4
	11,52 (5 - 1,52 - 5) mm	...2654.000...	4



Glass clamp for tube

	T	Ø	Art.no.	
MONO	8 mm	38,1 - 42,4 mm	...2608.038...	4
	10 mm	38,1 - 42,4 mm	...2610.038...	4
	12 mm	38,1 - 42,4 mm	...2612.038...	4
	8 mm	48,3 - 50,8 mm	...2608.050...	4
	10 mm	48,3 - 50,8 mm	...2610.050...	4
	12 mm	48,3 - 50,8 mm	...2612.050...	4
LAM.	8,76 (4 - 0,76 - 4) mm	38,1 - 42,4 mm	...2609.038...	4
	10,76 (5 - 0,76 - 5) mm	38,1 - 42,4 mm	...2611.038...	4
	12,76 (6 - 0,76 - 6) mm	38,1 - 42,4 mm	...2613.038...	4
	9,52 (4 - 1,52 - 4) mm	38,1 - 42,4 mm	...2644.038...	4
	11,52 (5 - 1,52 - 5) mm	38,1 - 42,4 mm	...2654.038...	4
	8,76 (4 - 0,76 - 4) mm	48,3 - 50,8 mm	...2609.050...	4
	10,76 (5 - 0,76 - 5) mm	48,3 - 50,8 mm	...2611.050...	4
	12,76 (6 - 0,76 - 6) mm	48,3 - 50,8 mm	...2613.050...	4
	9,52 (4 - 1,52 - 4) mm	48,3 - 50,8 mm	...2644.050...	4
	11,52 (5 - 1,52 - 5) mm	48,3 - 50,8 mm	...2654.050...	4

INFO Accessories



INFO Finishes



Stainless steel 304 (V2A)
satin grain 320
Art.no.
12.26 _ _ _ _ .12



Zintec
raw
Art.no.
10.26 _ _ _ _ .00




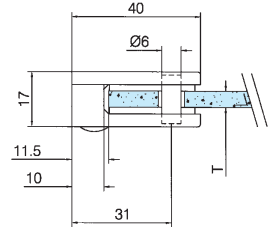
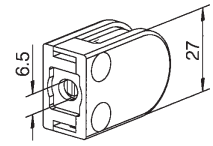
Zintec
stainless steel effect
Art.no.
10.26 _ _ _ _ .20

Model 27




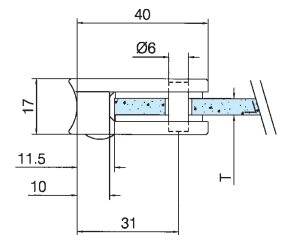
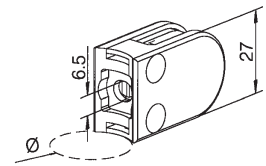
Flat glass clamp

	T	Art.no.	
MONO	6 mm	...2706.000...	4
	8 mm	...2708.000...	4
LAM.	6,76 (3 - 0,76 - 3) mm	...2732.000...	4
	8,76 (4 - 0,76 - 4) mm	...2742.000...	4



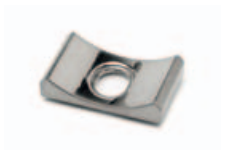
Glass clamp for tube


	T	Ø	Art.no.	
MONO	6 mm	25,4 - 30,0 mm	...2706.025...	4
	8 mm	25,4 - 30,0 mm	...2708.025...	4
	6 mm	38,1 - 42,4 mm	...2706.038...	4
	8 mm	38,1 - 42,4 mm	...2708.038...	4
LAM.	6,76 (3 - 0,76 - 3) mm	25,4 - 30,0 mm	...2732.025...	4
	8,76 (4 - 0,76 - 4) mm	25,4 - 30,0 mm	...2742.025...	4
	6,76 (3 - 0,76 - 3) mm	38,1 - 42,4 mm	...2732.038...	4
	8,76 (4 - 0,76 - 4) mm	38,1 - 42,4 mm	...2742.038...	4

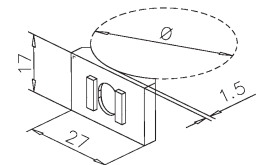


4

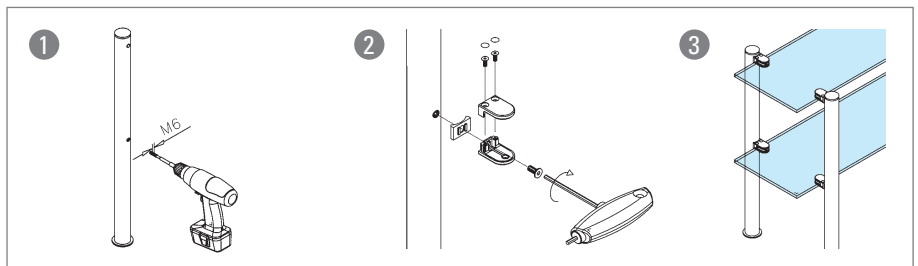
Adapter horizontal - Zintec



Ø	Art.no.	
25,4 - 30,0 mm	10.0748.025...	10
38,1 - 42,4 mm	10.0748.038...	10



INFO Accessories



INFO Finishes

 <p>Stainless steel 304 (V2A) satin grain 320 Art.no. 12.2712</p>	 <p>Zintec raw Art.no. 10.2700</p>	 <p>Zintec stainless steel effect Art.no. 10.2720</p>	 <p>Zintec brass effect polished Art.no. 10.2722</p>	 <p>Zintec chrome effect polished Art.no. 10.2723</p>	 <p>Zintec anthracite effect Art.no. 10.2726</p> <p>flat Ø 38,1 NEW</p>
--	---	--	---	--	---



Model 28



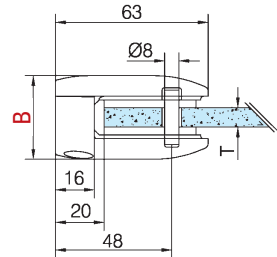
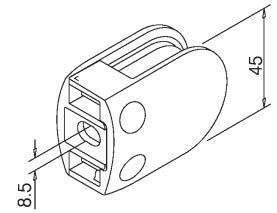
MONO

Flat glass clamp

T	Art.no.	
6 mm	...2806.000...	4
8 mm	...2808.000...	4
10 mm	...2810.000...	4
12 mm	...2812.000...	4

LAM.

6,76 (3 - 0,76 - 3) mm	...2807.000...	4
8,76 (4 - 0,76 - 4) mm	...2809.000...	4
10,76 (5 - 0,76 - 5) mm	...2811.000...	4
12,76 (6 - 0,76 - 6) mm	...2813.000...	4
8,38 (4 - 0,38 - 4) mm	...2841.000...	4
9,52 (4 - 1,52 - 4) mm	...2844.000...	4
11,52 (5 - 1,52 - 5) mm	...2854.000...	4



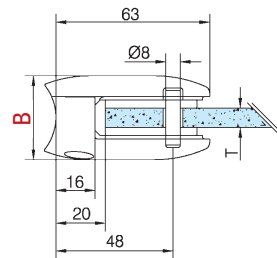
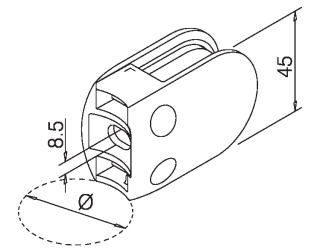
MONO

Glass clamp for tube

T	Ø	Art.no.	
6 mm	38,1 - 42,4 mm	...2806.038...	4
8 mm	38,1 - 42,4 mm	...2808.038...	4
10 mm	38,1 - 42,4 mm	...2810.038...	4
12 mm	38,1 - 42,4 mm	...2812.038...	4
6 mm	48,3 - 50,8 mm	...2806.050...	4
8 mm	48,3 - 50,8 mm	...2808.050...	4
10 mm	48,3 - 50,8 mm	...2810.050...	4
12 mm	48,3 - 50,8 mm	...2812.050...	4

LAM.

6,76 (3 - 0,76 - 3) mm	38,1 - 42,4 mm	...2807.038...	4
8,76 (4 - 0,76 - 4) mm	38,1 - 42,4 mm	...2809.038...	4
10,76 (5 - 0,76 - 5) mm	38,1 - 42,4 mm	...2811.038...	4
12,76 (6 - 0,76 - 6) mm	38,1 - 42,4 mm	...2813.038...	4
8,38 (4 - 0,38 - 4) mm	38,1 - 42,4 mm	...2841.038...	4
9,52 (4 - 1,52 - 4) mm	38,1 - 42,4 mm	...2844.038...	4
11,52 (5 - 1,52 - 5) mm	38,1 - 42,4 mm	...2854.038...	4
6,76 (3 - 0,76 - 3) mm	48,3 - 50,8 mm	...2807.050...	4
8,76 (4 - 0,76 - 4) mm	48,3 - 50,8 mm	...2809.050...	4
10,76 (5 - 0,76 - 5) mm	48,3 - 50,8 mm	...2811.050...	4
12,76 (6 - 0,76 - 6) mm	48,3 - 50,8 mm	...2813.050...	4
8,38 (4 - 0,38 - 4) mm	48,3 - 50,8 mm	...2841.050...	4
9,52 (4 - 1,52 - 4) mm	48,3 - 50,8 mm	...2844.050...	4
11,52 (5 - 1,52 - 5) mm	48,3 - 50,8 mm	...2854.050...	4



304 (V2A): B = 34
Zintec: B = 36



INFO Accessories



INFO Finishes



Stainless steel 304 (V2A)
satin grain 320
Art.no.
12.28 _ _ _ _ .12



Stainless steel 304 (V2A)
polished
Art.no.
12.28 _ _ _ _ .10



Zintec
raw
Art.no.
10.28 _ _ _ _ .00



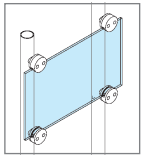
Zintec
stainless steel effect
Art.no.
10.28 _ _ _ _ .20



Zintec
chrome effect polished
Art.no.
10.28 _ _ _ _ .23




Model 44



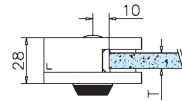
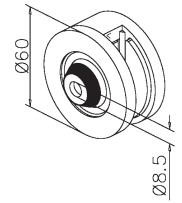
MONO

Glass clamp

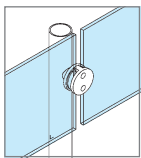
T	Art.no.	
8 mm	...4408.000...	4
10 mm	...4410.000...	4
12 mm	...4412.000...	4

LAM.

8,76 (4 - 0,76 - 4) mm	...4409.000...	4
10,76 (5 - 0,76 - 5) mm	...4411.000...	4
12,76 (6 - 0,76 - 6) mm	...4413.000...	4




Model 46



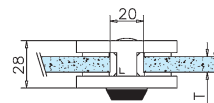
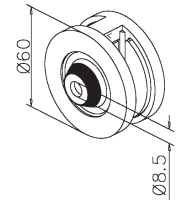
MONO

Glass clamp

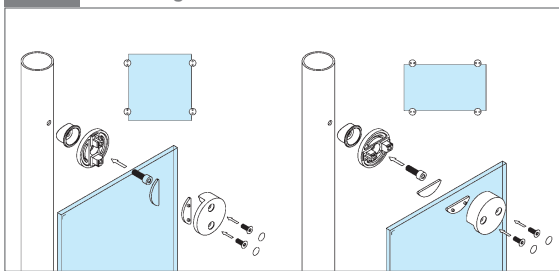
T	Art.no.	
8 mm	...4608.000...	4
10 mm	...4610.000...	4
12 mm	...4612.000...	4

LAM.

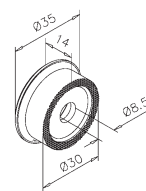
8,76 (4 - 0,76 - 4) mm	...4609.000...	4
10,76 (5 - 0,76 - 5) mm	...4611.000...	4
12,76 (6 - 0,76 - 6) mm	...4613.000...	4




INFO Mounting

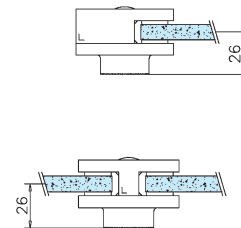


Flat adapter



Art.no.

...0723.000...		4
----------------	---	---



INFO Finishes Models 44/46 and adapters



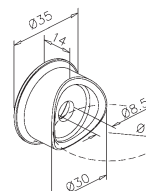
Stainless steel 316 (V4A)
satin grain 320
Art.no. 1412




Zintec
stainless steel effect
Art.no. 1020

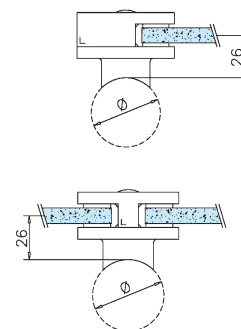


Tube adapter

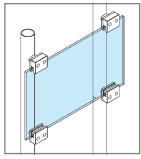


Ø


Art.no.	
38,1 - 42,4 mm ...0723.038...	4
48,3 - 50,8 mm ...0723.050...	4



Model 51

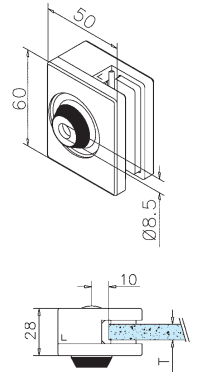


MONO

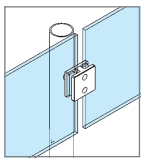
T	Art.no.	
8 mm	14.5108.000.12	4
10 mm	14.5110.000.12	4
12 mm	14.5112.000.12	4

LAM.


8,76 (4 - 0,76 - 4) mm	14.5109.000.12	4
10,76 (5 - 0,76 - 5) mm	14.5111.000.12	4
12,76 (6 - 0,76 - 6) mm	14.5113.000.12	4



Model 52

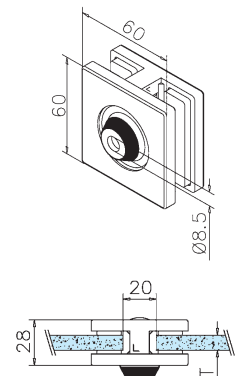


MONO

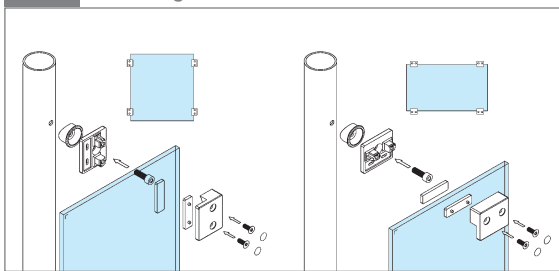
T	Art.no.	
8 mm	14.5208.000.12	4
10 mm	14.5210.000.12	4
12 mm	14.5212.000.12	4

LAM.

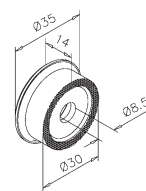
8,76 (4 - 0,76 - 4) mm	14.5209.000.12	4
10,76 (5 - 0,76 - 5) mm	14.5211.000.12	4
12,76 (6 - 0,76 - 6) mm	14.5213.000.12	4



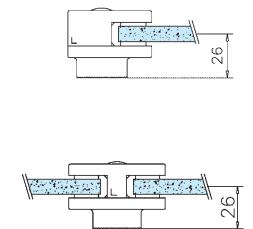
INFO Mounting



Flat adapter



Art.no.	
14.0723.000.12	4

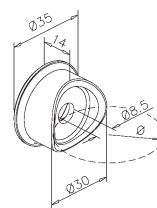



INFO Finish Models 51/52 and adapters

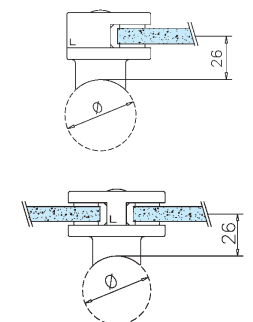


Stainless steel 316 (V4A)
satin grain 320

Tube adapter



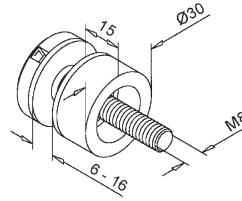
Ø	Art.no.	
38,1 - 42,4 mm	14.0723.038.12	4
48,3 - 50,8 mm	12.0723.050.12	4



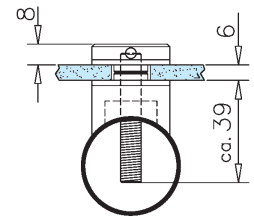
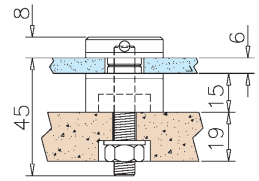
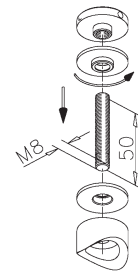
Glass adapter - 746




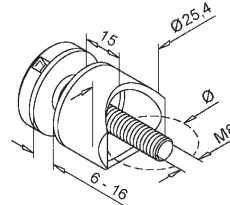
flat
 Art.no. 
 ...0746.000... 4




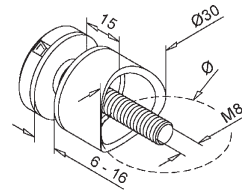
INFO 10/12.0746...



for tube
 Ø Art.no. 
 25,4 - 30,0 mm 12.0746.025.12 4



for tube
 Ø Art.no. 
 38,1 - 42,4 mm ...0746.038... 4
 48,3 - 50,8 mm ...0746.050... 4



INFO Finishes



304 (V2A)
 satin grain 320
Art.no.
 12.0746. ___ .12



Zintec
 raw
Art.no.
 10.0746. ___ .00




Zintec
 stainless steel effect
Art.no.
 10.0746. ___ .20




Zintec
 brass effect polished
Art.no.
 10.0746. ___ .22




Zintec
 chrome effect polished
Art.no.
 10.0746. ___ .23

Hinge adapter - 2900



Zintec

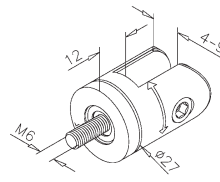
flat

Art.no.

10.2900.000...



4



for tube

Ø

25,4 - 30,0 mm

Art.no.

10.2900.025...



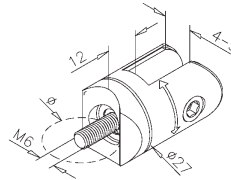
4

38,1 - 42,4 mm

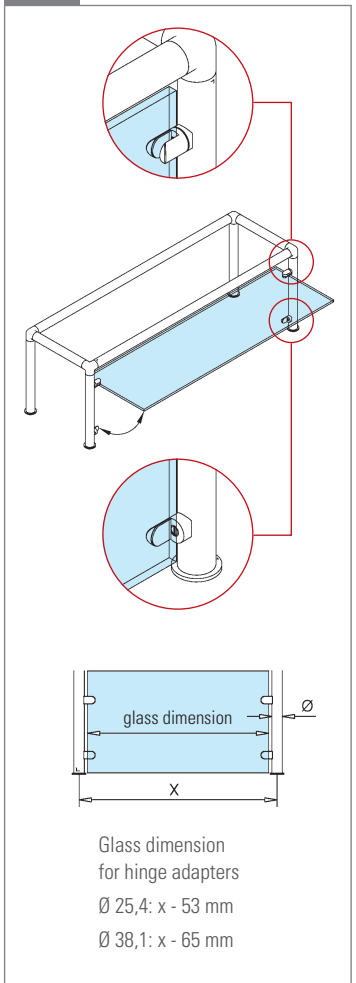
10.2900.038...



4



INFO 10.2900... / 10.2950...



Stop adapter - 2950



Zintec

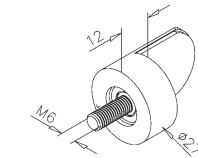
flat

Art.no.

10.2950.000...



4



for tube

Ø

25,4 - 30,0 mm

Art.no.

10.2950.025...



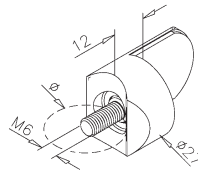
4

38,1 - 42,4 mm

10.2950.038...



4



Glass support - 2910



Zintec

adjustable

Ø

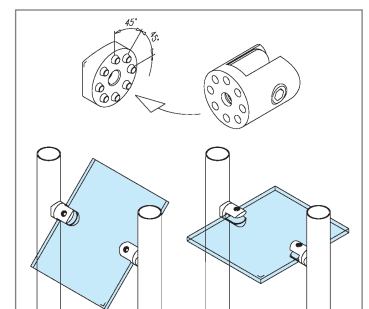
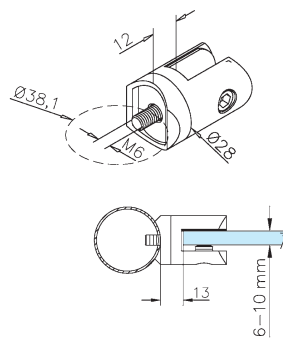
38,1 - 42,4 mm

Art.no.

10.2910.038...



4



INFO Finishes



2900 / 2950

2910

stainless steel effect

Art.no.

10.29 _ _ _ _ .20



2900 / 2950

2910

brass effect polished

Art.no.

10.29 _ _ _ _ .22



2900 / 2950

2910

chrome effect polished

Art.no.

10.29 _ _ _ _ .23



Ø 38,1

NEW

2900 / 2950

anthracite effect

Art.no.

10.29 _ _ .038.26

Glass support - 1911

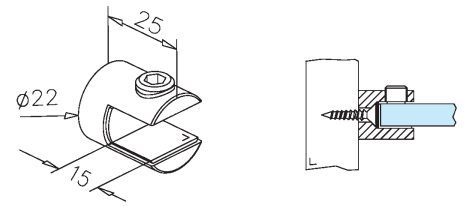


Zintec

Stainless steel design

Chrome design


Art.no.	Art.no.	glass	
22.1911.000.20	22.1911.000.23	6 - 10 mm	4

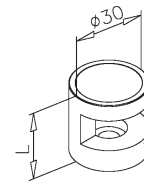


Glass support - 752

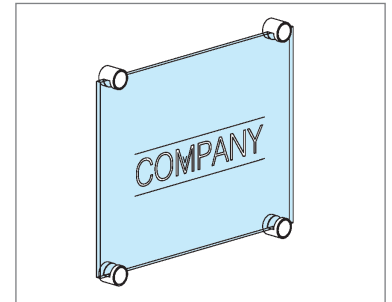
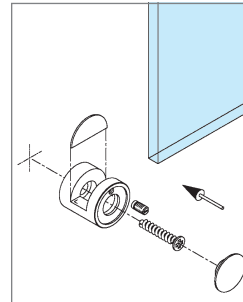
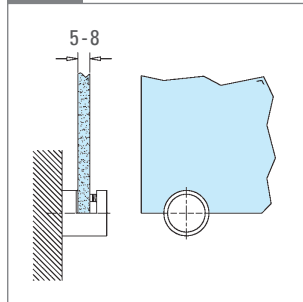


Stainless steel design

Art.no.	L	glass	
12.0752.030.12	30 mm	5 - 8 mm	4



INFO 12.0752.030.12




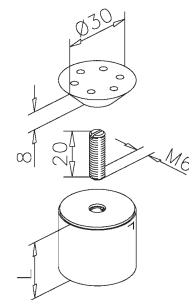
Glass support - 751



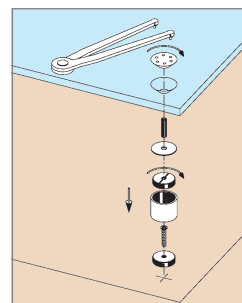
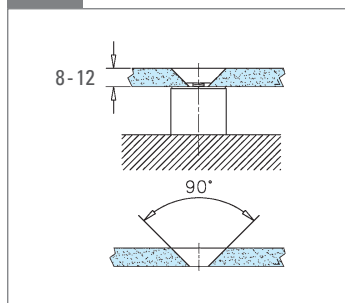
with sunken cap

Stainless steel design

Art.no.	L	glass	
12.0751.019.12	19 mm	8 - 12 mm	2
12.0751.025.12	25 mm	8 - 12 mm	2
12.0751.038.12	38 mm	8 - 12 mm	2
12.0751.050.12	50 mm	8 - 12 mm	3
12.0751.102.12	102 mm	8 - 12 mm	2




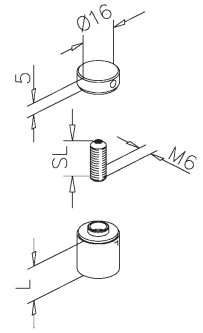
INFO 12.0751...



Glass support - 753




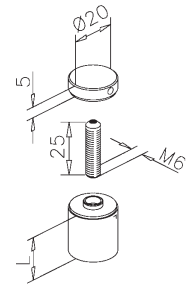
Stainless steel design	Chrome design	L	SL	glass	
Art.no.	Art.no.				
12.0753.015.12	12.0753.015.10	15 mm	16 mm	4 - 6 mm	2
12.0753.025.12	12.0753.025.10	25 mm	20 mm	4 - 10 mm	6



Glass support - 754




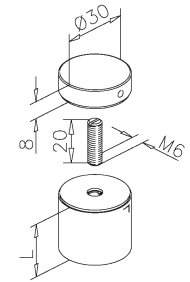
Stainless steel design	Chrome design	L	glass	
Art.no.	Art.no.			
12.0754.020.12	12.0754.020.10	20 mm	5 - 12 mm	4
12.0754.030.12	12.0754.030.10	30 mm	5 - 12 mm	1



Glass support - 750




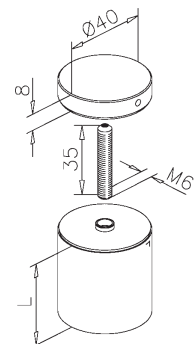
Stainless steel design	Chrome design	L	glass	
Art.no.	Art.no.			
12.0750.019.12	12.0750.019.10	19 mm	4 - 10 mm	4
12.0750.025.12	12.0750.025.10	25 mm	4 - 10 mm	4
12.0750.038.12	12.0750.038.10	38 mm	4 - 10 mm	2
12.0750.050.12	12.0750.050.10	50 mm	4 - 10 mm	4
12.0750.102.12	12.0750.102.10	102 mm	4 - 10 mm	2



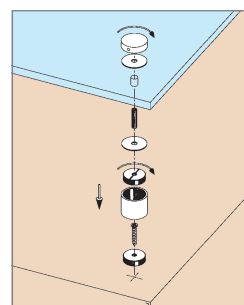
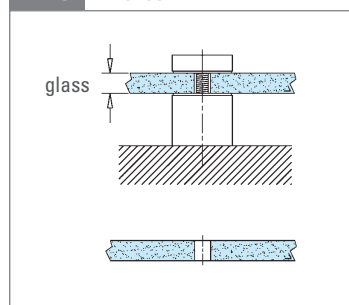
Glass support - 755



Stainless steel design	Chrome design	L	glass	
Art.no.	Art.no.			
12.0755.040.12	12.0755.040.10	40 mm	5 - 17 mm	1



INFO 12.0750...

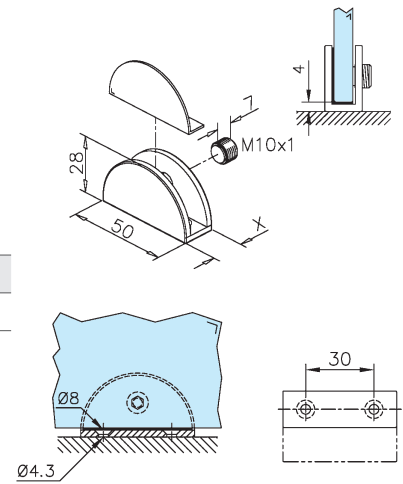


Glass supports

Glass support - 1008 / 1015



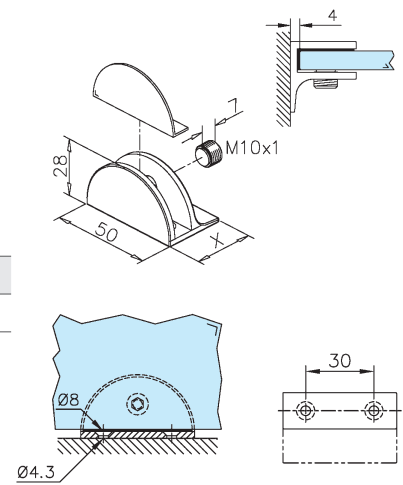
Art.no.	Art.no.	X	glass	
22.1008.000.20	22.1008.000.23	16 mm	6 - 8 mm	2
22.1015.000.20	22.1015.000.23	23 mm	10 - 15 mm	4



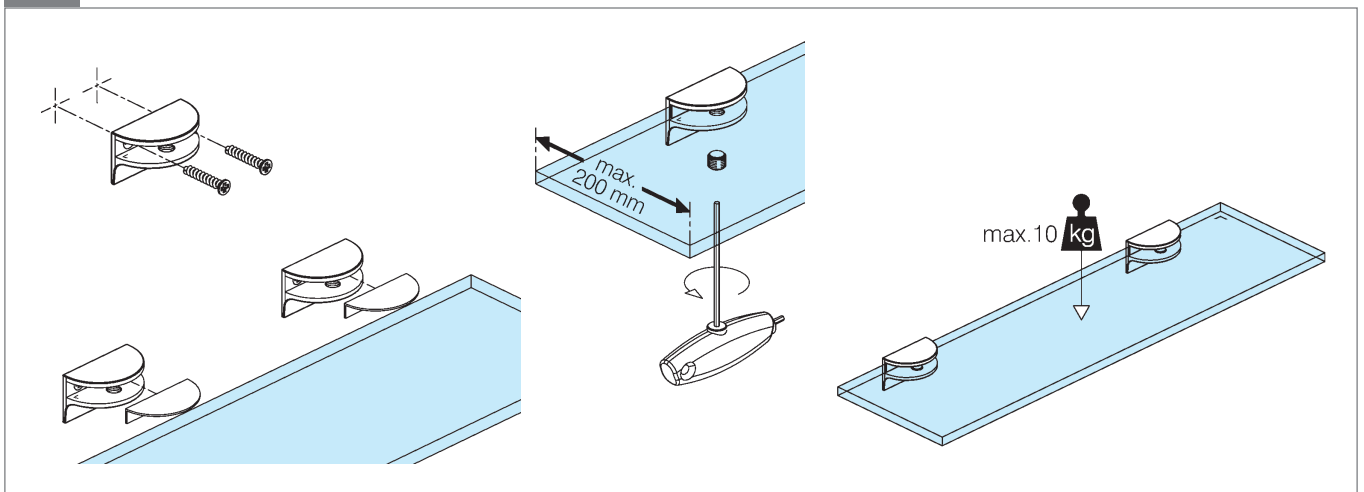
Glass support - 1108 / 1115



Art.no.	Art.no.	X	glass	
22.1108.000.20	22.1108.000.23	30 mm	6 - 8 mm	2
22.1115.000.20	22.1115.000.23	40 mm	10 - 15 mm	1



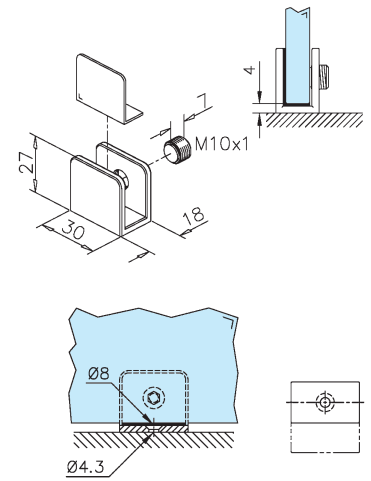
INFO 22.1108... / 22.1115...



Glass support - 1210



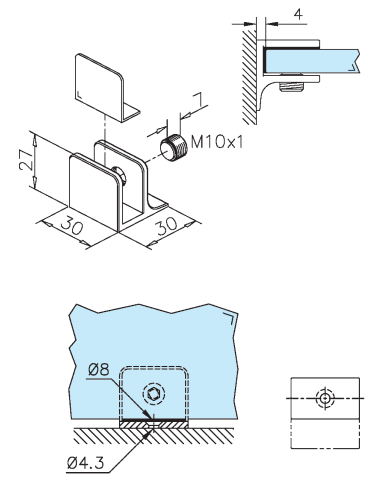
Stainless steel design	Chrome design		
Art.no.	Art.no.	glass	
22.1210.000.20	22.1210.000.23	6 - 10 mm	6



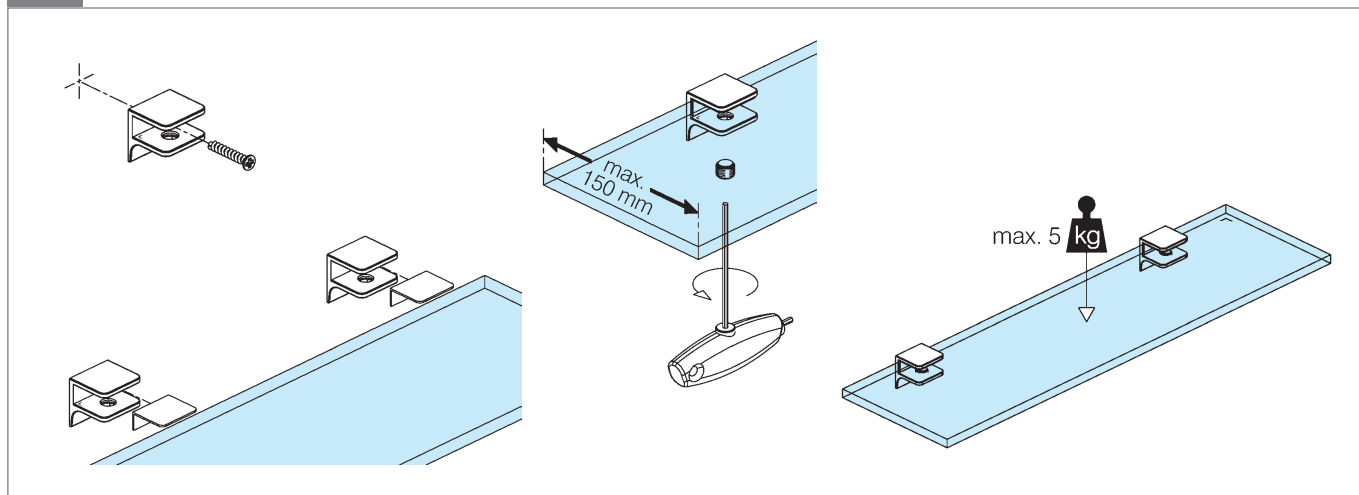
Glass support - 1310



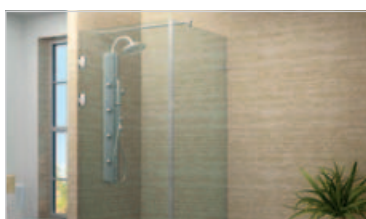
Stainless steel design	Chrome design		
Art.no.	Art.no.	glass	
22.1310.000.20	22.1310.000.23	6 - 10 mm	6



INFO 22.1310...







5 Shower cubicles 176



5 Seals 181



5 Partition walls 184



5 Mirror systems 186

Shower cubicle - 4010



Stainless steel design / Chrome design

Door weight max. 40 kg
 Door height max. 2250 mm
 Door width max. 900 mm
 Glass 8 mm

INFO optional



▣ 90 - ▣ 99

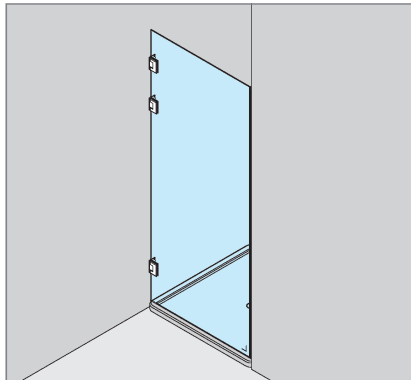
Recess

Stainless steel design

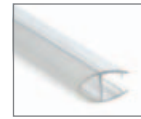
Art.no. 29.4010.001.12

Chrome design

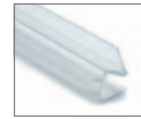
Art.no. 29.4010.001.10



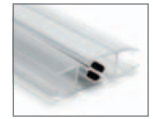
3 x 41.3112.090...
(▣ 64)



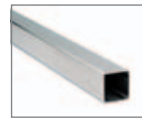
1 x 19.4012.000.01
(▣ 182)



1 x 19.4013.000.00
(▣ 182)



1 x 19.4010.180.01
(▣ 181)



1 x 12.4925.008.12
(▣ 256)



1 x 91.2800.005.00
(▣ 313)

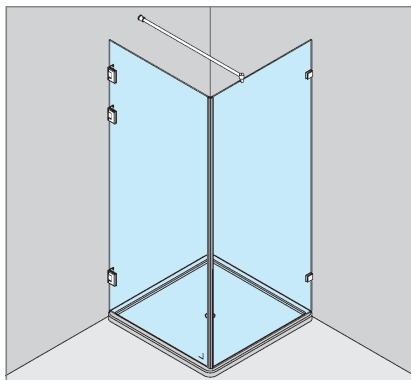
Corner one-sided

Stainless steel design

Art.no. 29.4010.002.12

Chrome design

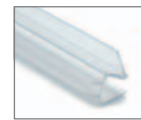
Art.no. 29.4010.002.10



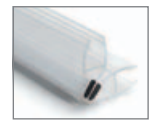
3 x 41.3112.090...
(▣ 64)



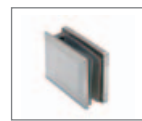
1 x 19.4012.000.01
(▣ 182)



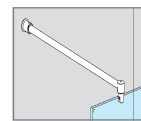
1 x 19.4013.000.00
(▣ 182)



1 x 19.4010.090.01
(▣ 181)



2 x 40.4115.090...
(▣ 112)



1 x 29.6020.019...
(▣ 185)

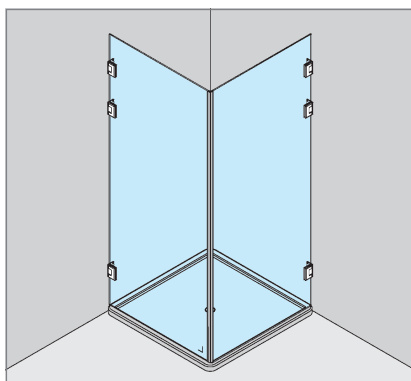
Corner double-sided

Stainless steel design

Art.no. 29.4010.003.12

Chrome design

Art.no. 29.4010.003.10



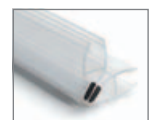
6 x 41.3112.090...
(▣ 64)



2 x 19.4012.000.01
(▣ 182)



1 x 19.4013.000.00
(▣ 182)



1 x 19.4010.090.01
(▣ 181)

For further details visit: www.g-fittings.com

Shower cubicle - 4011



Stainless steel design / Chrome design

Door weight max. 35 kg
 Door height max. 1950 mm
 Door width max. 900 mm
 Glass 8 mm

INFO optional



▣ 90 - ▣ 99

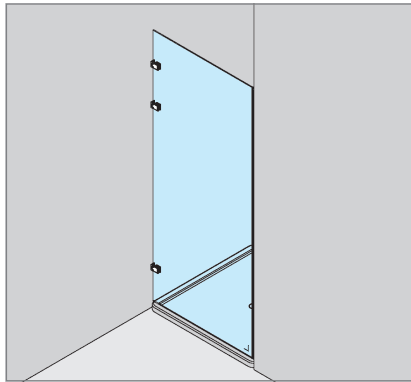
Recess

Stainless steel design

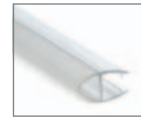
Art.no. 29.4011.001.12

Chrome design

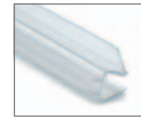
Art.no. 29.4011.001.10



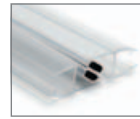
3 x 41.0302.000...
(▣ 29)



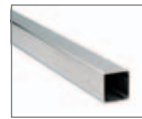
1 x 19.4012.000.01
(▣ 182)



1 x 19.4013.000.00
(▣ 182)



1 x 19.4010.180.01
(▣ 181)



1 x 12.4925.008.12
(▣ 256)



1 x 91.2800.005.00
(▣ 313)

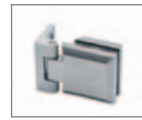
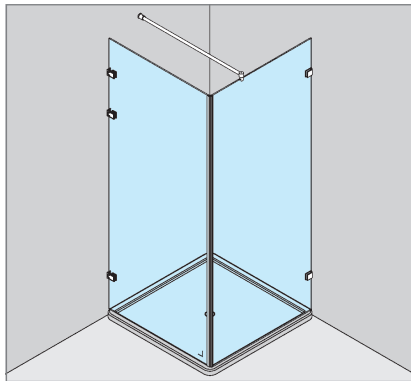
Corner one-sided

Stainless steel design

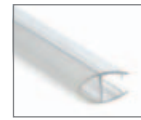
Art.no. 29.4011.002.12

Chrome design

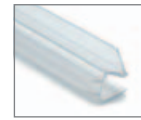
Art.no. 29.4011.002.10



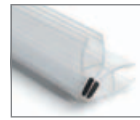
3 x 41.0302.000...
(▣ 29)



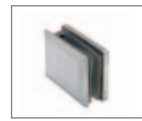
1 x 19.4012.000.01
(▣ 182)



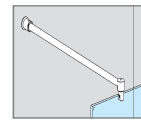
1 x 19.4013.000.00
(▣ 182)



1 x 19.4010.090.01
(▣ 181)



2 x 40.4115.090...
(▣ 112)



1 x 29.6020.019...
(▣ 185)

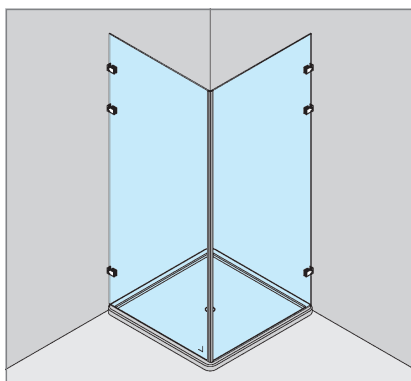
Corner double-sided

Stainless steel design

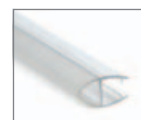
Art.no. 29.4011.003.12

Chrome design

Art.no. 29.4011.003.10



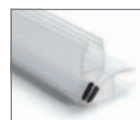
6 x 41.0302.000...
(▣ 29)



2 x 19.4012.000.01
(▣ 182)



1 x 19.4013.000.00
(▣ 182)



1 x 19.4010.090.01
(▣ 181)

For further details visit: www.g-fittings.com

Shower cubicle - 4012



Stainless steel design / Chrome design

Door weight max. 35 kg
 Door height max. 1950 mm
 Door width max. 900 mm
 Glass 8 mm

INFO optional



▣ 90 - ▣ 99

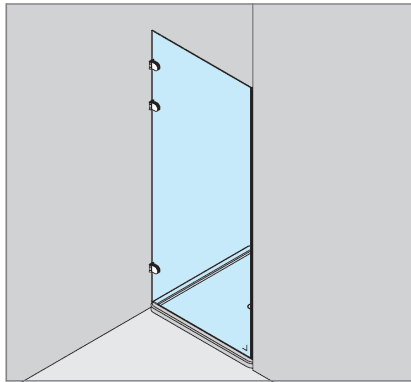
Recess

Stainless steel design

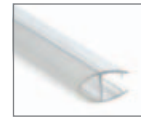
Art.no. 29.4012.001.12

Chrome design

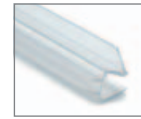
Art.no. 29.4012.001.10



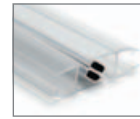
3 x 41.0202.000...
(▣ 28)



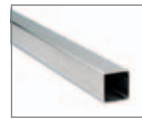
1 x 19.4012.000.01
(▣ 182)



1 x 19.4013.000.00
(▣ 182)



1 x 19.4010.180.01
(▣ 181)



1 x 12.4925.008.12
(▣ 256)



1 x 91.2800.005.00
(▣ 313)

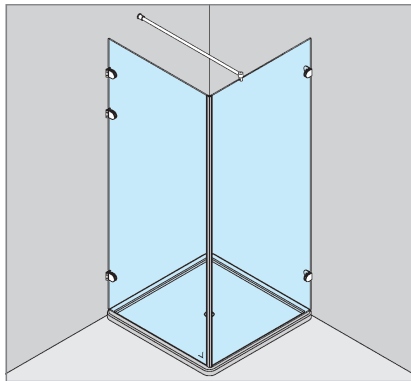
Corner one-sided

Stainless steel design

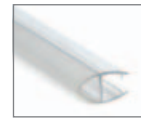
Art.no. 29.4012.002.12

Chrome design

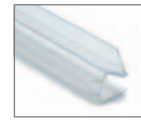
Art.no. 29.4012.002.10



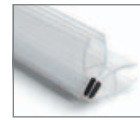
3 x 41.0202.000...
(▣ 28)



1 x 19.4012.000.01
(▣ 182)



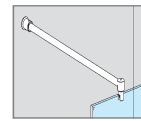
1 x 19.4013.000.00
(▣ 182)



1 x 19.4010.090.01
(▣ 181)



2 x 40.0102.090...
(▣ 113)



1 x 29.6020.019...
(▣ 185)

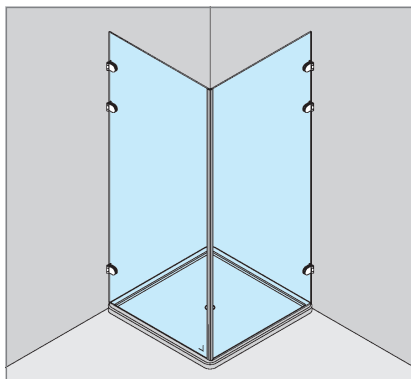
Corner double-sided

Stainless steel design

Art.no. 29.4012.003.12

Chrome design

Art.no. 29.4012.003.10



6 x 41.0202.000...
(▣ 28)



2 x 19.4012.000.01
(▣ 182)



1 x 19.4013.000.00
(▣ 182)



1 x 19.4010.090.01
(▣ 181)

For further details visit: www.g-fittings.com

Shower cubicle - 4013



Stainless steel design / Chrome design

Door weight max. 40 kg
 Door height max. 2250 mm
 Door width max. 900 mm
 Glass 8 mm

**ADJUST-
ABLE**

INFO optional



▣ 90 - ▣ 99

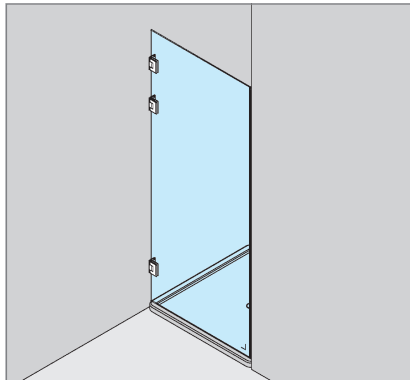
Recess

Stainless steel design

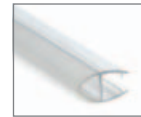
Art.no. 29.4013.001.12

Chrome design

Art.no. 29.4013.001.10



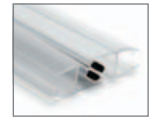
3 x 41.5112.090...
(▣ 66)



1 x 19.4012.000.01
(▣ 182)



1 x 19.4013.000.00
(▣ 182)



1 x 19.4010.180.01
(▣ 181)



1 x 12.4925.008.12
(▣ 256)



1 x 91.2800.005.00
(▣ 313)

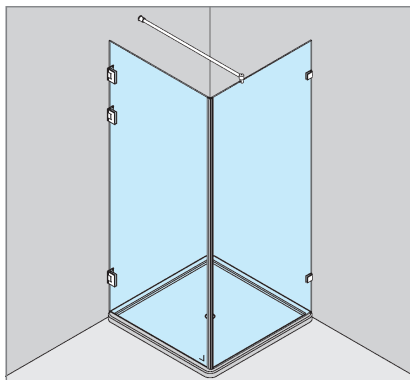
Corner one-sided

Stainless steel design

Art.no. 29.4013.002.12

Chrome design

Art.no. 29.4013.002.10



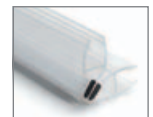
3 x 41.5112.090...
(▣ 66)



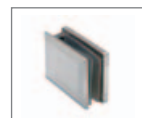
1 x 19.4012.000.01
(▣ 182)



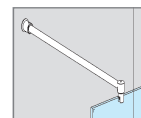
1 x 19.4013.000.00
(▣ 182)



1 x 19.4010.090.01
(▣ 181)



2 x 40.4115.090...
(▣ 112)



1 x 29.6020.019...
(▣ 185)

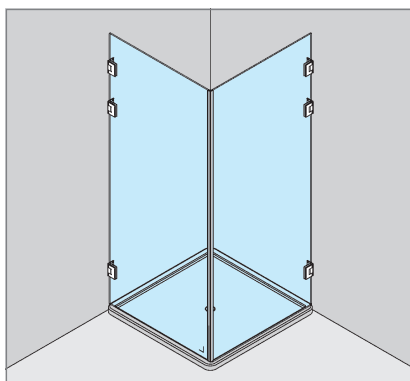
Corner double-sided

Stainless steel design

Art.no. 29.4013.003.12

Chrome design

Art.no. 29.4013.003.10



6 x 41.5112.090...
(▣ 66)



2 x 19.4012.000.01
(▣ 182)



1 x 19.4013.000.00
(▣ 182)



1 x 19.4010.090.01
(▣ 181)

For further details visit: www.g-fittings.com

Shower cubicle - 4014



anodized

Door weight max. 40 kg
 Door height max. 2200 mm
 Door width max. 800 mm
 Glass 8 mm

INFO optional



▣ 77

INFO optional

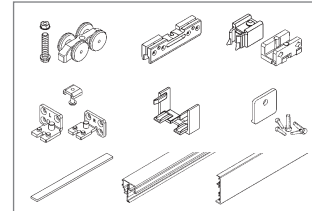
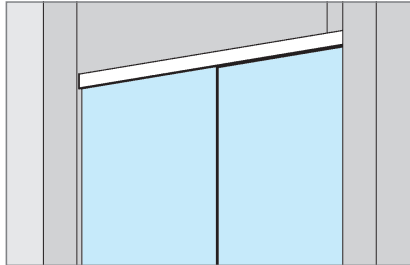


▣ 90 - ▣ 99

**Recess application
Wall / Wall**

Art.no. 29.4014.001.46

L 1500 mm



1 x 46.1301.150.46
 (▣ 76)



1 x 19.4012.000.01
 (▣ 182)

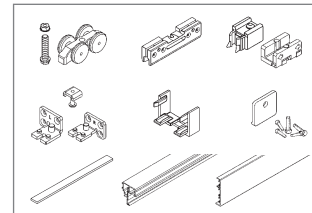
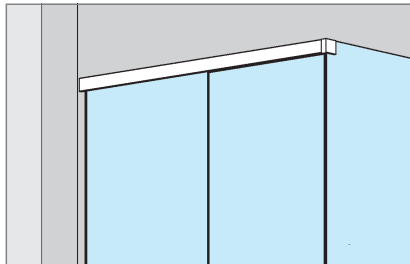


1 x 19.4016.000.01
 (▣ 183)

**Recess application
Wall / Glass**

Art.no. 29.4014.002.46

L 1500 mm



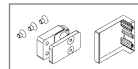
1 x 46.1301.150.46
 (▣ 76)



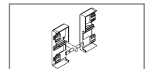
1 x 19.4012.000.01
 (▣ 182)



1 x 19.4016.000.01
 (▣ 183)



1 x 46.1370.000.46
 (▣ 76)

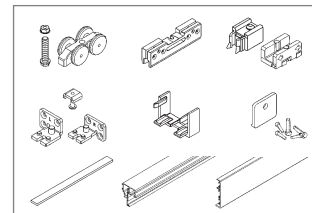
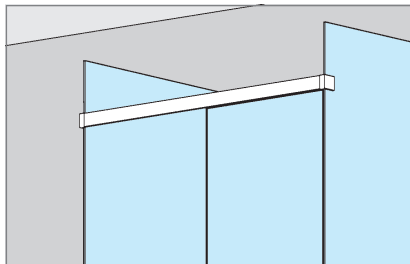


1 x 46.1371.000.46
 (▣ 76)

**Recess application
Glass / Glass**

Art.no. 29.4014.003.46

L 1500 mm



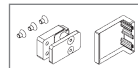
1 x 46.1301.150.46
 (▣ 76)



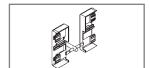
1 x 19.4012.000.01
 (▣ 182)



1 x 19.4016.000.01
 (▣ 183)



2 x 46.1370.000.46
 (▣ 76)

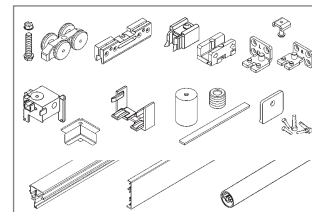
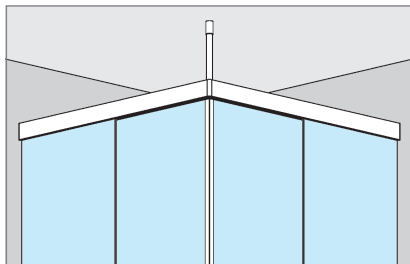


1 x 46.1371.000.46
 (▣ 76)

Corner application

Art.no. 29.4014.004.46

L 1200 mm



1 x 46.1351.120.46
 (▣ 77)



1 x 19.4010.090.01
 (▣ 181)



2 x 19.4016.000.01
 (▣ 183)

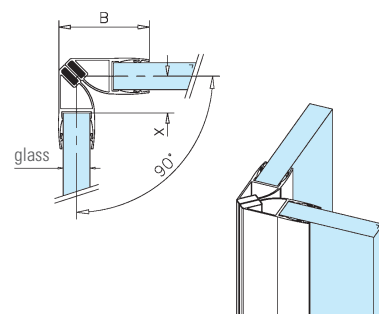
For further details visit: www.g-fittings.com

Magnetic seal - 4010 / 090



90°, PVC (pair)

Art.no.	glass	B	X	L	
19.4010.090.01	8 mm	26 mm	12 mm	2500 mm	1
19.4010.090.00	10 mm	28 mm	10 mm	2500 mm	1

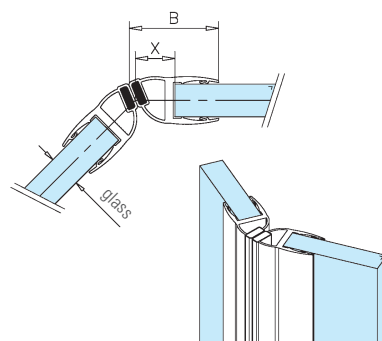


Magnetic seal - 4010 / 135



135°, PVC (pair)


Art.no.	glass	B	X	L	
19.4010.135.01	8 mm	25 mm	12 mm	2500 mm	1
19.4010.135.00	10 mm	25 mm	12 mm	2500 mm	1

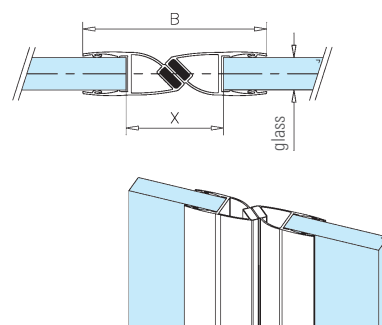


Magnetic seal - 4010 / 180



180°, PVC (pair)

Art.no.	glass	B	X	L	
19.4010.180.01	8 mm	42 mm	22 mm	2500 mm	1
19.4010.180.00	10 mm	45 mm	22 mm	2200 mm	1

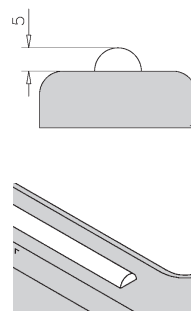


Floor waterguard strip - 4020



half round, transparent

Art.no.	L	
19.4020.000.00	2000 mm	1



INFO Mounting



Redacryl -
high performance tape

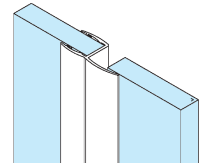
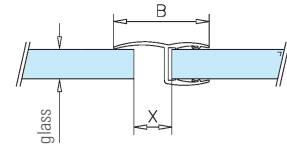
Art.no.
91.2800... (■ 313)

Seal lip - 4011



for glass door, PVC

Art.no.	glass	B	X	L	
19.4011.000.01	8 mm	28 mm	5 - 10 mm	2500 mm	1
19.4011.000.00	10 mm	28 mm	5 - 12 mm	2500 mm	1

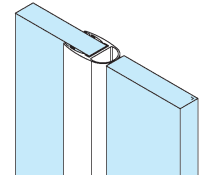
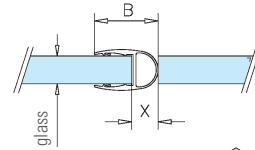


Stripe lip - 4012



for glass door, PVC

Art.no.	glass	B	X	L	
19.4012.000.01	8 mm	18 mm	7 mm	2500 mm	1
19.4012.000.00	10 mm	18 mm	7 mm	2500 mm	1



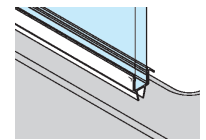
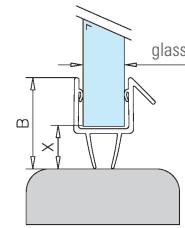
5

Seal - 4013



for glass door, PVC

Art.no.	glass	B	X	L	
19.4013.000.00	8-10 mm	22 mm	8 mm	2500 mm	1

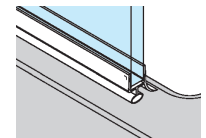
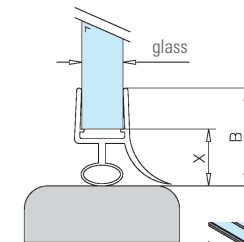


Seal - 4014



for glass door, PVC

Art.no.	glass	B	X	L	
19.4014.000.00	6 mm	20 mm	10 mm	2500 mm	1

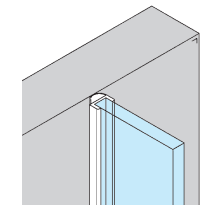
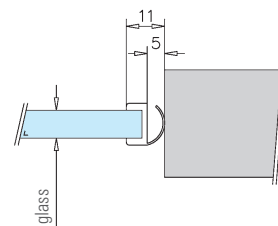


Seal lip - 4015



for glass door, PVC


Art.no.	glass	L	
19.4015.000.01	8 mm	2500 mm	1
19.4015.000.02	10 mm	2500 mm	1

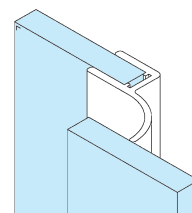
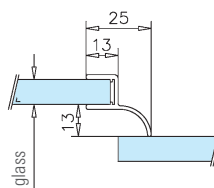


Seal lip - 4016



for glass door, PVC


Art.no.	glass	L	
19.4016.000.01	6 - 8 mm	2500 mm	1

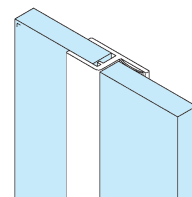
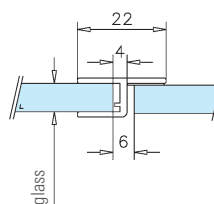


Seal lip - 4017



front rabbet 180°, for glass door, PVC


Art.no.	glass	L	
19.4017.000.01	8 mm	2500 mm	1
19.4017.000.00	10 mm	2500 mm	1

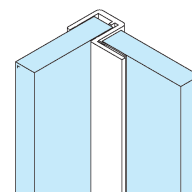
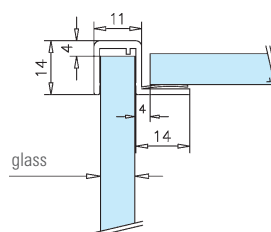


Seal lip - 4018



corner rabbet 90°, for glass door, PVC

Art.no.	glass	L	
19.4018.000.01	6 - 8 mm	2500 mm	1

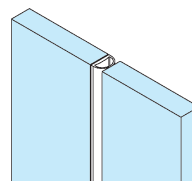
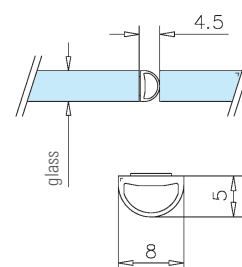


Stripe lip - 4021



for glass door, self-adhesive, PVC


Art.no.	glass	L	
19.4021.000.01	8 - 10 mm	5000 mm	1



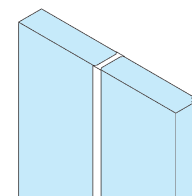
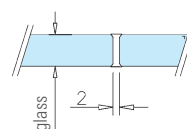
Plastic connecting profile - 4019



for panels, transparent

Art.no.	glass	L	
19.4019.010.00	10 - 10,76 mm	3000 mm	1
19.4019.012.00	12 - 12,76 mm	3000 mm	1

with adhesive tape on both sides



Tube holder - 836



closed

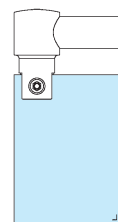
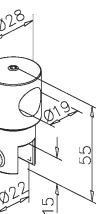
Stainless steel design

Chrome design

Art.no.
40.0836.019.20

Art.no.
40.0836.019.23

glass
6 - 10 mm



Tube holder - 835



open

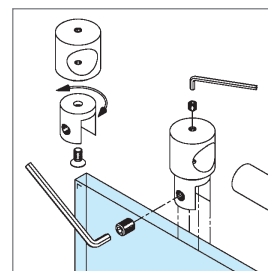
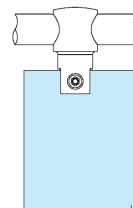
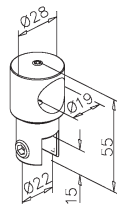
Stainless steel design

Chrome design

Art.no.
40.0835.019.20

Art.no.
40.0835.019.23

glass
6 - 10 mm



Tube mounting bracket - 626



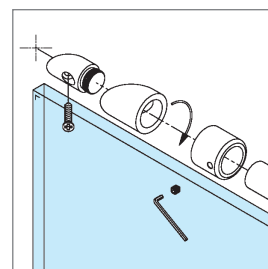
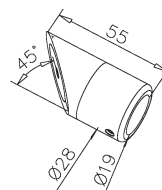
45°

Stainless steel design

Chrome design

Art.no.
40.0626.019.12

Art.no.
40.0626.019.10



Tube mounting bracket - 515



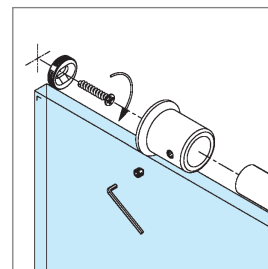
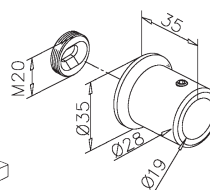
90°

Stainless steel design

Chrome design

Art.no.
40.0515.019.12

Art.no.
40.0515.019.10



Tube joint - 312



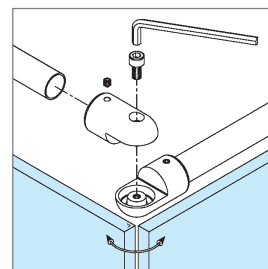
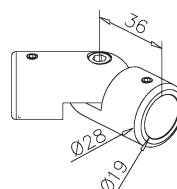
adjustable

Stainless steel design

Chrome design

Art.no.
40.0312.019.12

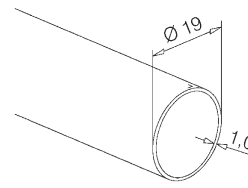
Art.no.
40.0312.019.10



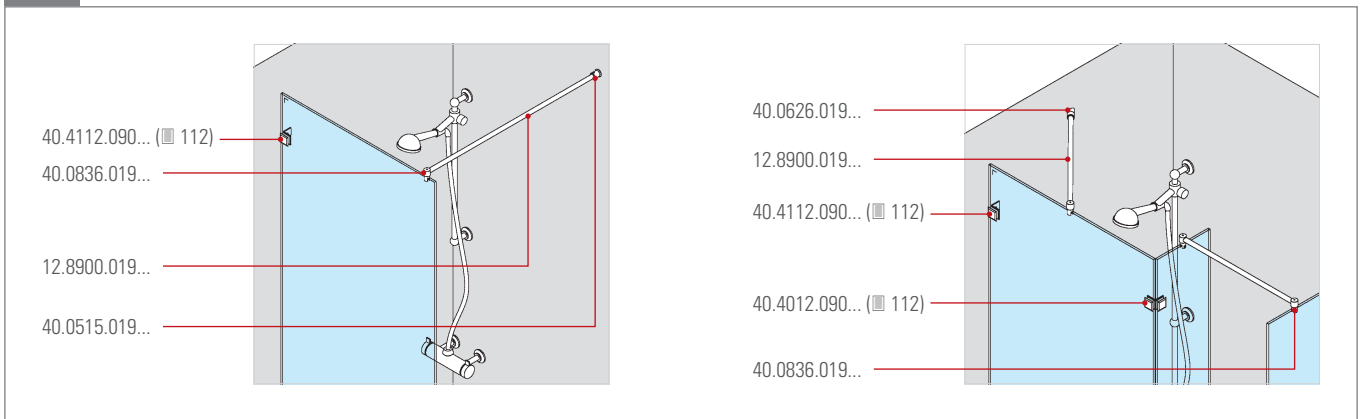
Tube - 900



Stainless steel design	Chrome design		
Art.no.	Art.no.	L	
12.8910.019.12	12.8910.019.10	1000 mm	
12.8912.019.12	12.8912.019.10	1250 mm	
12.8925.019.12	12.8925.019.10	2500 mm	
12.8900.019.12	12.8900.019.10	cutted	

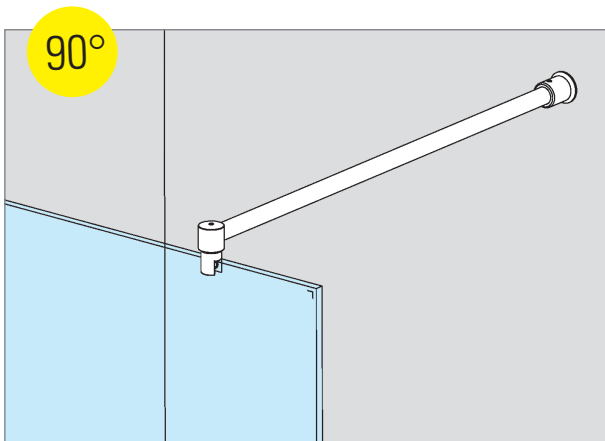


INFO Partition walls



5

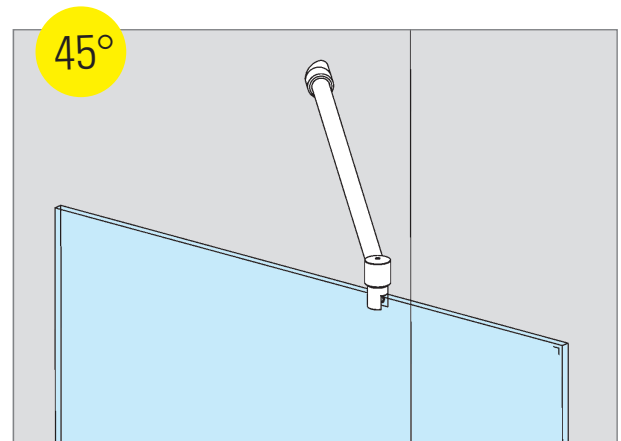
Shower panel stabilisation set - 6020



wall mounting 90°, Ø 19 mm

Stainless steel design	Chrome design		
Art.no.	Art.no.	L	glass
29.6020.019.12	29.6020.019.10	1250 mm	6 - 10 mm

Shower panel stabilisation set - 6021



wall mounting 45°, Ø 19 mm

Stainless steel design	Chrome design		
Art.no.	Art.no.	L	glass
29.6021.019.12	29.6021.019.10	1250 mm	6 - 10 mm

INFO Products



1 x 40.0515.019...
1 x 40.0836.019...
1250 mm 12.8912.019...

INFO Products

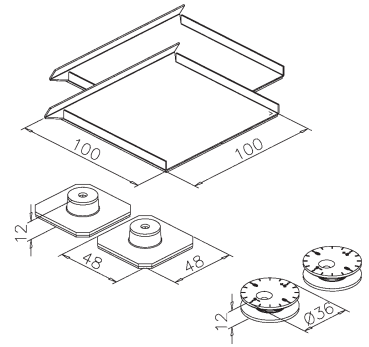


1 x 40.0626.019...
1 x 40.0836.019...
1250 mm 12.8912.019...

Mirror fixation kit ED 08 G



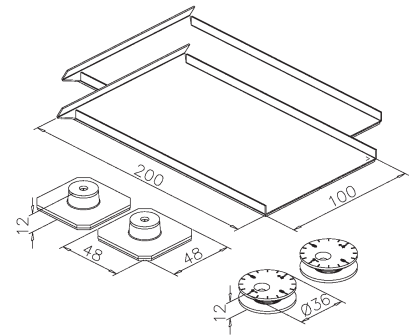
Art.no.	mirror	
48.5108.000.00	max. 0,8 m ²	1



Mirror fixation kit ED 16 G

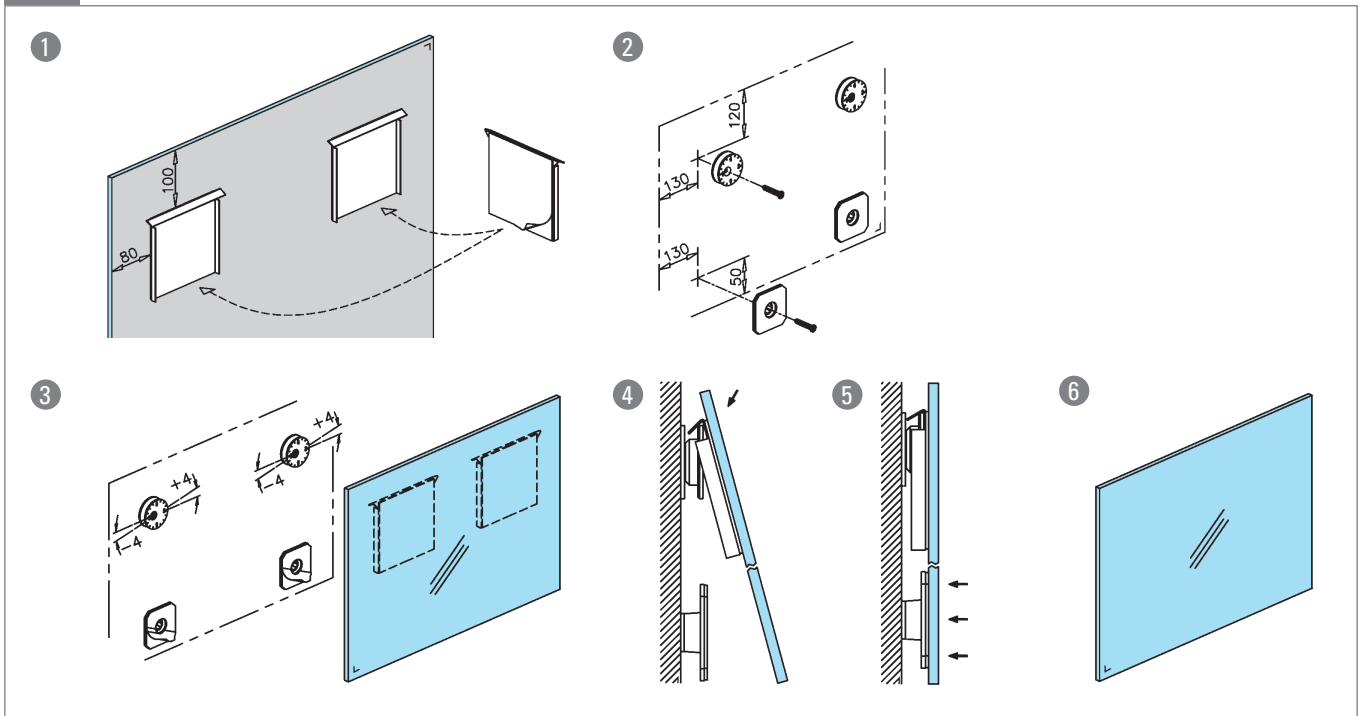


Art.no.	mirror	
48.5116.000.00	max. 1,6 m ²	1

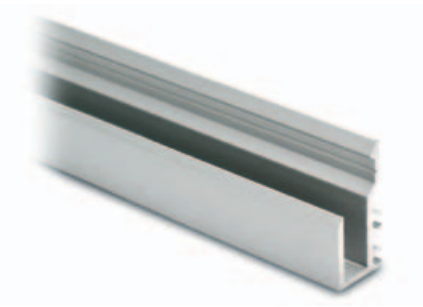


5

INFO Mirror fixation kit

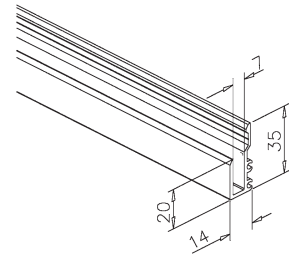


Mirror profile - 5535



aluminium, silver matt anodized

Art.no.	L
48.5535.500.46	5000 mm
48.5535.250.46	2500 mm
48.5535.000.46	cutted

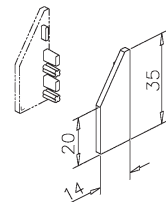


End cap - 5732 / 5733



grey

Art.no.		
48.5732.000.46	right	1
48.5733.000.46	left	1

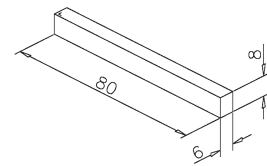


Mountingspacer - 5600



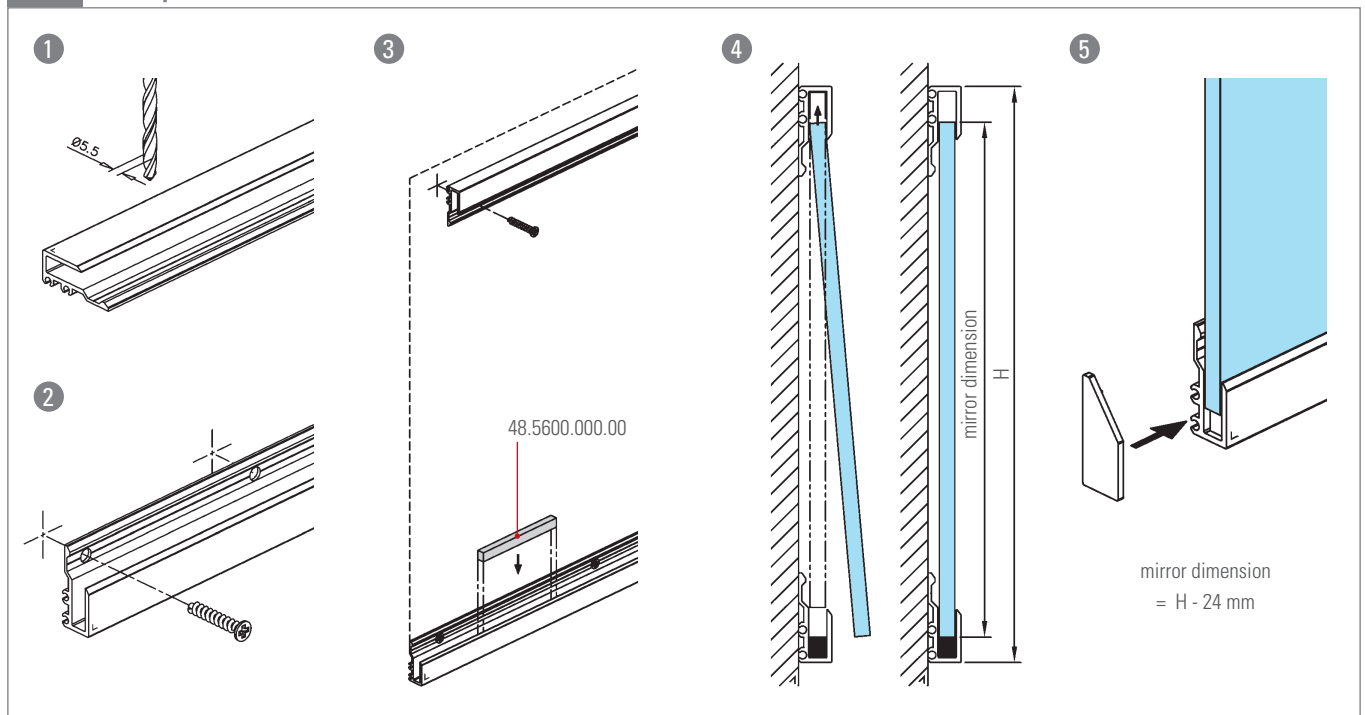
wood, black (100 pieces)

Art.no.	
48.5600.000.00	1

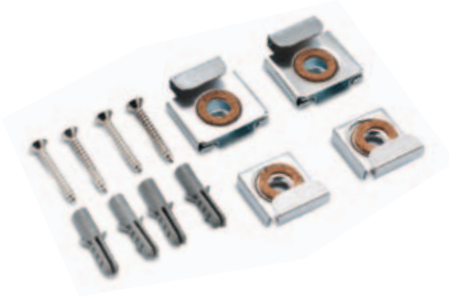


5

INFO Mirror profile

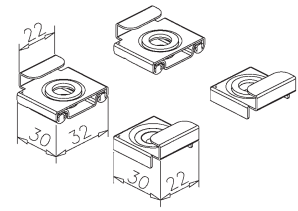


Mirror clips „Optima“ - 5400

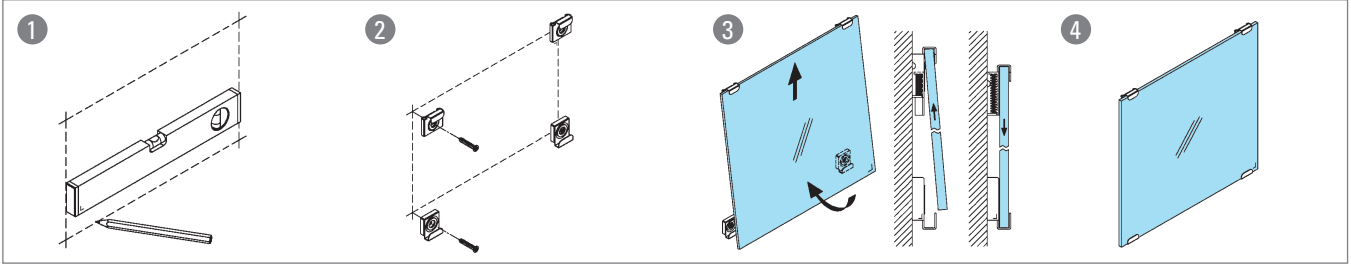


with cork inlay and coil
brass chrome plated

Art.no.	
48.5400.000.00	1



INFO 48.5400.000.00




5

Mirror demisting pad - 52...




self-adhesive, 230 V

Art.no.	H x B		
48.5215.200.00	150 x 200 mm	5,5 Watt	1
48.5227.274.00	274 x 274 mm	12,5 Watt	1
48.5227.524.00	274 x 524 mm	26 Watt	1
48.5241.100.00	410 x 1000 mm	76 Watt	1
48.5241.400.00	410 x 400 mm	30 Watt	1
48.5241.600.00	410 x 600 mm	46 Watt	1
48.5252.102.00	524 x 1024 mm	100 Watt	1
48.5252.524.00	524 x 524 mm	50 Watt	1
48.5252.800.00	524 x 800 mm	80 Watt	1

Mirror adhesive tape - 5000




PE, 19,0 x 1,0 mm

Art.no.		
48.5000.005.00	L 5 m	1
48.5000.066.00	L 66 m	1

Mirror adhesive - 5010



OttoColl S 16

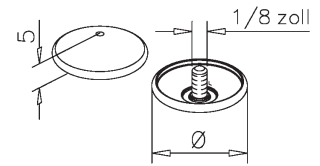
Art.no.		
48.5010.000.00	310 ml	1

Mirror screws - 5300 / 20



brass stainless steel effect (100 pieces)


Art.no.	Ø	
48.5300.016.20	16 mm	1
48.5300.019.20	19 mm	1

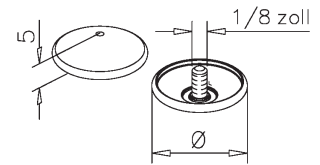


Mirror screws - 5300 / 17



brass nickel-plated (100 pieces)

Art.no.	Ø	
48.5300.016.17	16 mm	1
48.5300.019.17	19 mm	1

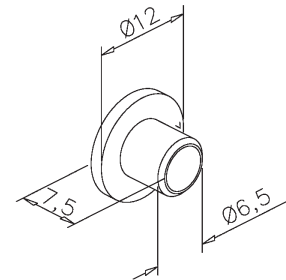


Spacers - 5310



(100 pieces)

Art.no.	
48.5310.008.00	1

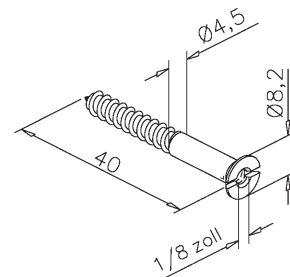


Wood screws - 5320

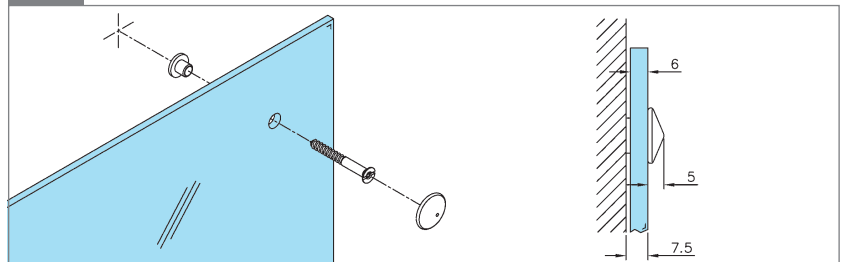


with inner thread, iron (100 pieces)

Art.no.	
48.5320.440.00	1



INFO Mirror screws



NEW



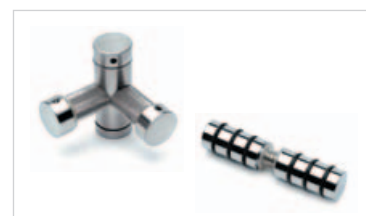
Anthracite design



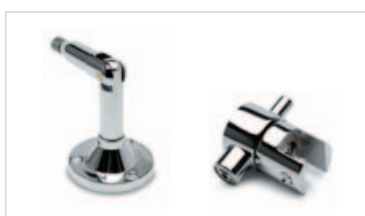
6 Sneeze guards **192**



6 Shelf supports **196**



6 Showcase systems **198**



6 Display systems **210**



6 Bar accessories **220**



6 Table bases **223**



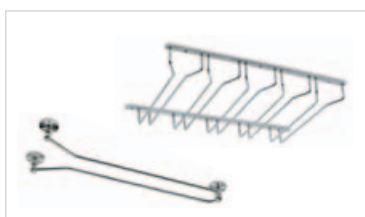
6 Information boards **223**



6 Wardrobes and hooks **224**



6 Crowd control and accessories **228**



6 Glass racks **230**



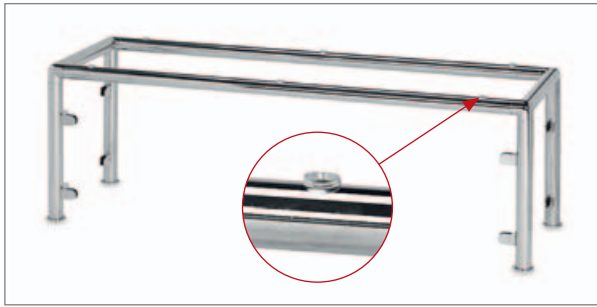
6 Mini rail - System **232**



6 Bottle shelves **242**



Sneeze guard - 010



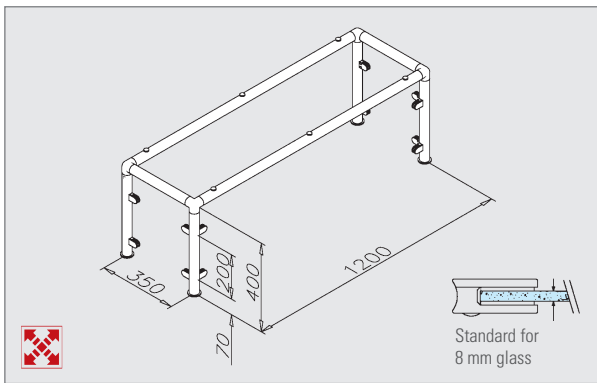
Stainless steel design / Chrome design / Brass design / Anthracite design
 Ø 25,4 mm / Ø 38,1 mm

INFO optional



Toughened glass /
Laminated glass
(■ 297)

NEW



Ø	Art.no.	Stainless steel design Art.no.	Chrome design Art.no.	Brass design Art.no.	Anthracite design Art.no.
25,4 mm (1")	20.0100.025...	...20	...23	...22	
38,1 mm (1,5")	20.0100.038...	...20	...23	...22	...26



4 x 11.0500...
(■ 280)



4 x 11.0304...
(■ 273)



12 x 10.2708...
(■ 164)



6 x 19.6010.020.00
(■ 304)



11/12.8900...
4,7 m (■ 257)

6

Sneeze guard - 011

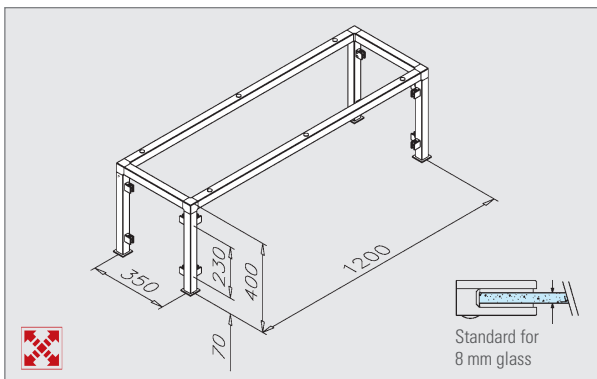


Stainless steel design
 □ 35 x 35 mm

INFO optional



Toughened glass /
Laminated glass
(■ 297)



Stainless steel design
 □ Art.no.

35 x 35 mm 20.0110.035.20



4 x 12.4500.035.12
(■ 285)



4 x 12.4304.035.12
(■ 276)



12 x 10.2308.000.20
(■ 161)



6 x 19.6010.020.00
(■ 304)

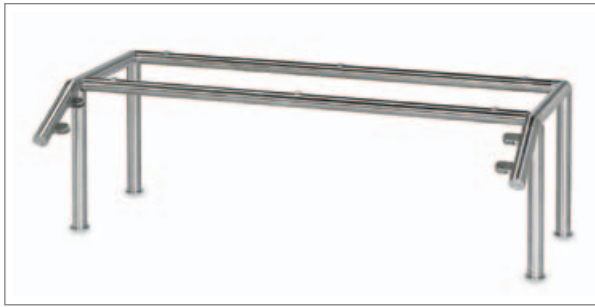


12.4890.035.12
4,7 m (■ 256)



⇨ production according to order
 ⇨ other dimensions possible

Sneeze guard - 020



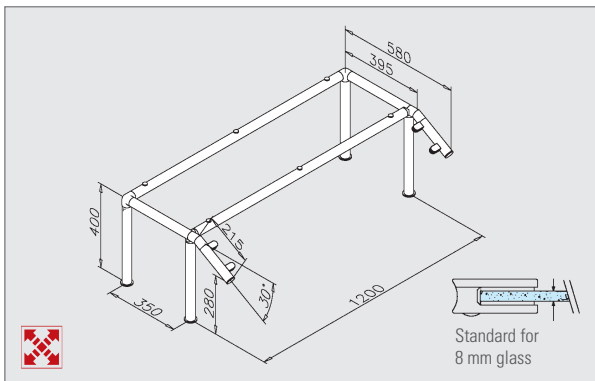
Stainless steel design / Chrome design / Brass design / Anthracite design
 Ø 38,1 mm

INFO optional



Toughened glass /
Laminated glass
(■ 297)

NEW



Ø	Art.no.	Stainless steel design Art.no.	Chrome design Art.no.	Brass design Art.no.	Anthracite design Art.no.
38,1 mm (1,5")	20.0200.038...	...20	...23	...22	...26

			
4 x 11.0500.038... (■ 280)	2 x 11.0304.038... (■ 273)	2 x 11/12.0311.038... (■ 272)	4 x 11.0727.038... (■ 278)
			
4 x 10.2708.038... (■ 164)	2 x 11.0732.038... (■ 288)	6 x 19.6010.020.00 (■ 304)	11/12.8900.038... 5,22 m (■ 257)

Sneeze guard - 021

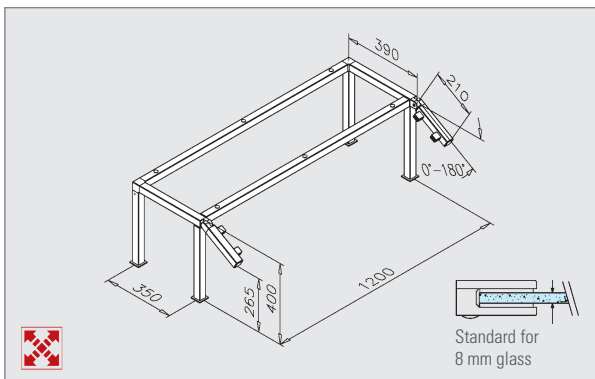


Stainless steel design
 □ 35 x 35 mm

INFO optional



Toughened glass /
Laminated glass
(■ 297)



Stainless steel design □	Art.no.
35 x 35 mm	20.0210.035.20

			
4 x 12.4500.035.12 (■ 285)	2 x 12.4304.035.12 (■ 276)	2 x 12.4302.035.12 (■ 276)	4 x 12.4725.035.12 (■ 276)
			
4 x 10.2308.000.20 (■ 161)	2 x 12.4732.035.12 (■ 289)	6 x 19.6010.020.00 (■ 304)	12.4890.035.12 5,2 m (■ 256)

Sneeze guard - 030

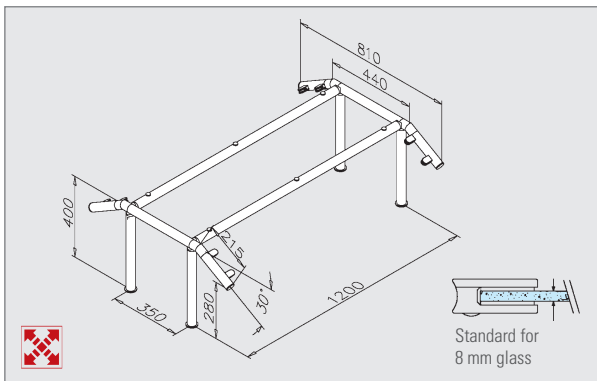






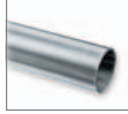
Stainless steel design / Chrome design / Brass design / Anthracite design
 Ø 38,1 mm

INFO optional

Toughened glass /
 Laminated glass
 (■ 297)

NEW



Ø	Art.no.	Stainless steel design	Chrome design	Brass design	Anthracite design
38,1 mm (1,5")	20.0300.038...	Art.no. ...20	Art.no. ...23	Art.no. ...22	Art.no. ...26
					
	4 x 11.0500.038... (■ 280)	4 x 11/12.0311.038... (■ 272)	8 x 10.2708.038... (■ 164)	8 x 11.0727.038... (■ 278)	4 x 11.0732.038... (■ 288)
					
	6 x 19.6010.020.00 (■ 304)	11/12.8900.038... 5,74 m (■ 257)			

6

Sneeze guard - 040

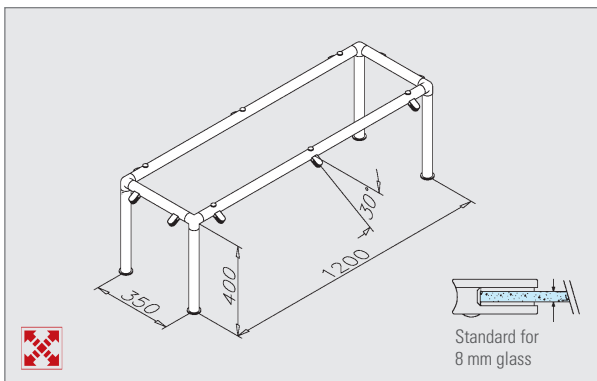





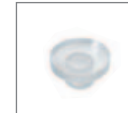

Stainless steel design / Chrome design / Brass design / Anthracite design
 Ø 25,4 mm / Ø 38,1 mm


INFO optional

Toughened glass /
 Laminated glass
 (■ 297)

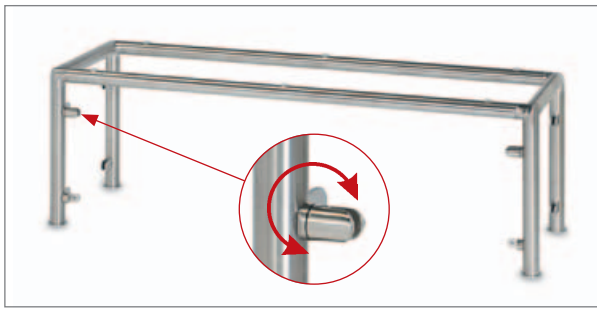
NEW



Ø	Art.no.	Stainless steel design	Chrome design	Brass design	Anthracite design
25,4 mm (1")	20.0400.025...	Art.no. ...20	Art.no. ...23	Art.no. ...22	Art.no. ...26
38,1 mm (1,5")	20.0400.038...	Art.no. ...20	Art.no. ...23	Art.no. ...22	Art.no. ...26
					
	4 x 11.0500... (■ 280)	4 x 11.0304... (■ 273)	10 x 10.2708... (■ 164)	6 x 19.6010.020.00 (■ 304)	11/12.8900... 4,7 m (■ 257)

 ⇨ production according to order
 ⇨ other dimensions possible

Sneeze guard - 050

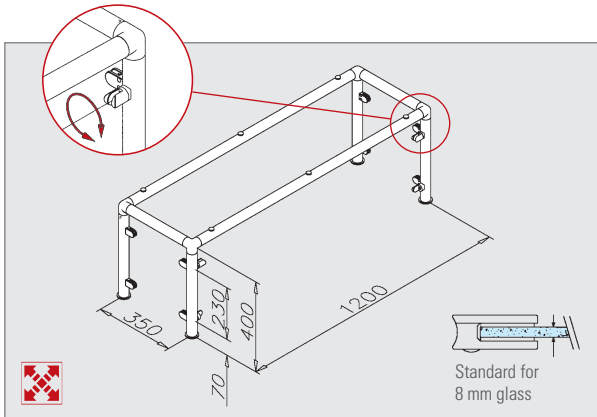


Stainless steel design / Chrome design / Brass design / Anthracite design
 Ø 25,4 mm / Ø 38,1 mm

INFO optional

Toughened glass /
 Laminated glass
 (■ 297)

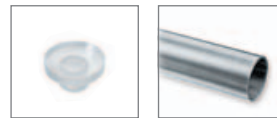
NEW



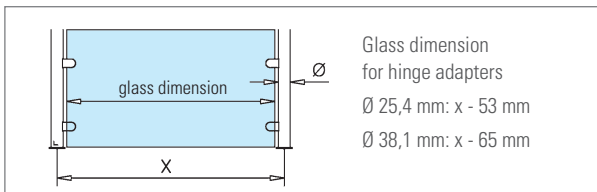
Ø	Art.no.	Stainless steel design Art.no.	Chrome design Art.no.	Brass design Art.no.	Anthracite design Art.no.
25,4 mm (1")	20.0500.025...	...20	...23	...22	
38,1 mm (1,5")	20.0500.038...	...20	...23	...22	...26



4 x 11.0500... (■ 280) 4 x 11.0304... (■ 273) 8 x 10.2708... (■ 164) 2 x 10.2900... (■ 169) 2 x 10.2950... (■ 169)



6 x 19.6010.020.00 (■ 304) 11/12.8900... 4,7 m (■ 257)

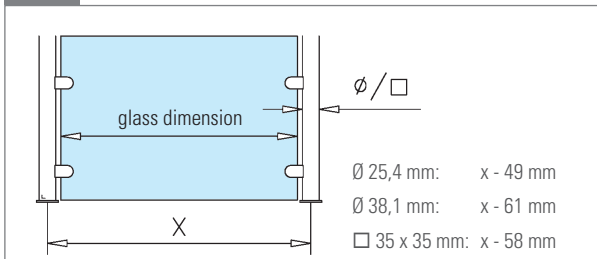


6

NEW Anthracite design



INFO Glass dimension

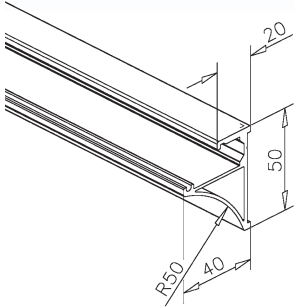
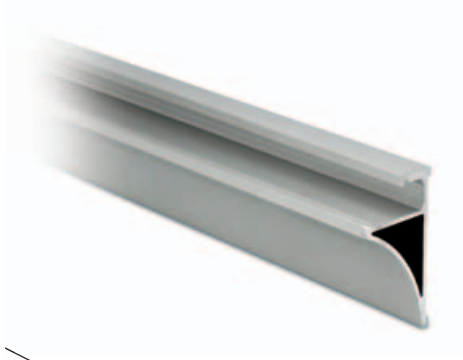


INFO Floor fixations

A STANDARD **B** **C** **D**

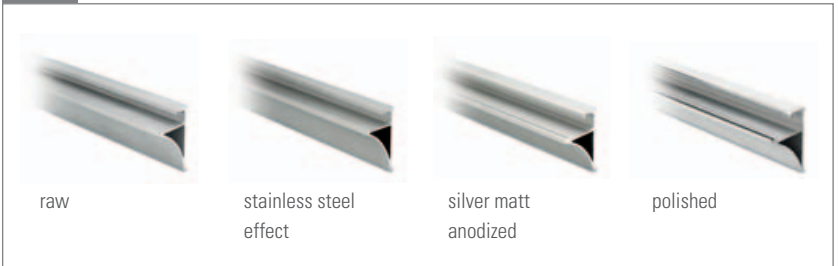
11.0500... (■ 280) 11.0504... (■ 282) 18.0106... (■ 293) 18.0100... (■ 292)

Glass plate profile - 540



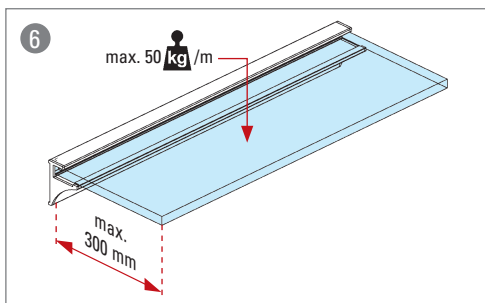
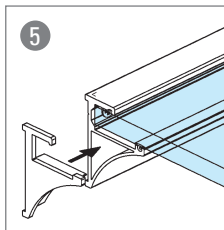
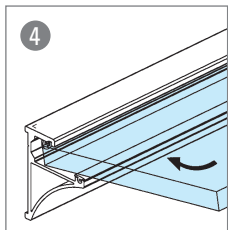
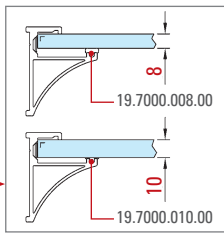
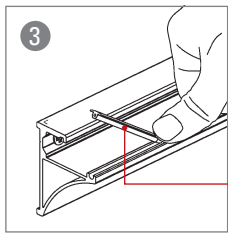
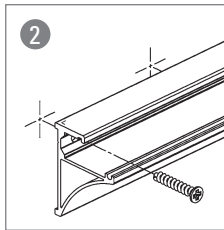
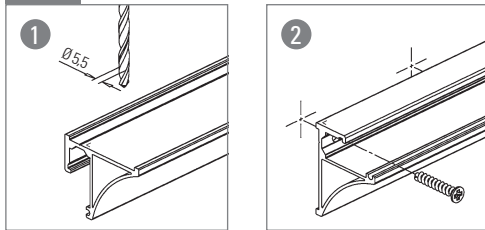
L	Aluminium raw Art.no.	Aluminium stainless steel effect Art.no.	Aluminium silver matt anodized Art.no.	Aluminium polished Art.no.
5000 mm	43.0900.540.00	43.0900.540.19	43.0900.540.46	
2500 mm	43.8925.540.00	43.8925.540.19	43.8925.540.46	43.8925.540.48
cutted	43.8900.540.00	43.8900.540.19	43.8900.540.46	43.8900.540.48

INFO Finishes

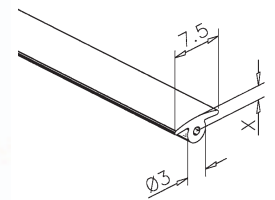


6

INFO Glass plate profile



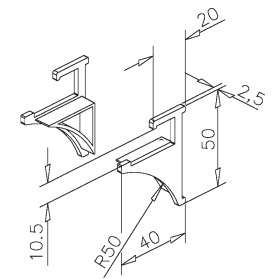
Rubber profile - 7000



length 5 m

glass	Art.no.	X	
8 mm	19.7000.008.00	4 mm	1
10 mm	19.7000.010.00	2 mm	1

End caps - 1732



plastic, grey (pair)

Art.no.	
43.1732.000.00	1

Glass plate profile set - 6100

NEW



Length 1000 mm
 Width max. 300 mm
 Glass 8 mm
 Load max. 50 kg

INFO optional

Toughened glass



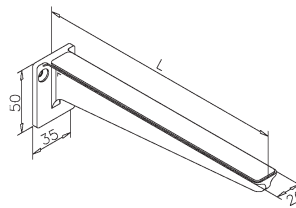
Aluminium raw	Aluminium stainless steel effect	Aluminium silver matt anodized	Aluminium polished
Art.no.	Art.no.	Art.no.	Art.no.
29.6100.100.00	29.6100.100.19	29.6100.100.46	29.6100.100.48

1000 mm 43.8900.540...	1 x 19.7000.008.00	1 x 43.1732.000.00

Shelf support - 71 / 72



with rubber strip



NEW Anthracite design

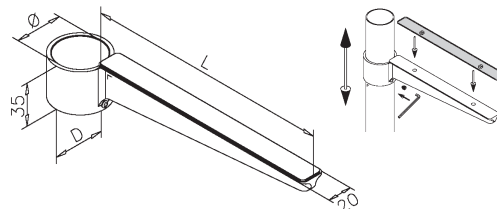


L	Stainless steel design Art.no.	Chrome design Art.no.	Brass design Art.no.	Anthracite design Art.no.	
200 mm	11.0071.000.20	11.0071.000.23	11.0071.000.22	11.0071.000.26	2
300 mm	11.0072.000.20	11.0072.000.23	11.0072.000.22		2

Shelf support - 741 / 742



with rubber strip



NEW Anthracite design



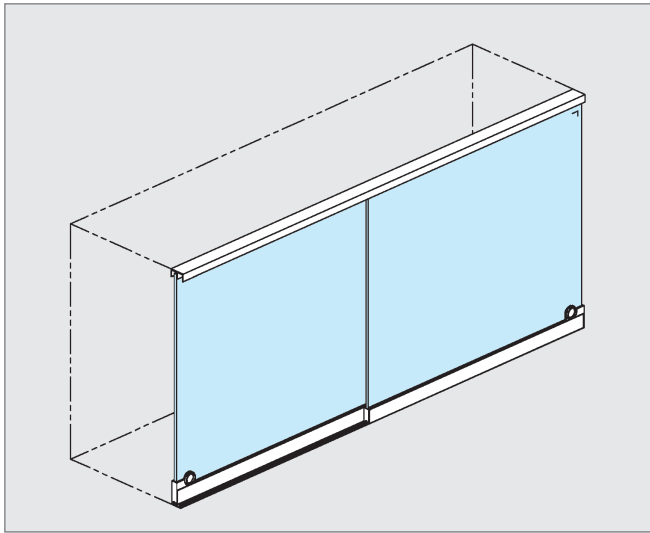
L	Ø	Stainless steel design Art.no.	Chrome design Art.no.	Brass design Art.no.	Anthracite design Art.no.	D	
200 mm	25,4 mm (1")	11.0741.025.20	11.0741.025.23	11.0741.025.22	11.0741.025.26	Ø32	2
200 mm	38,1 mm (1,5")	11.0741.038.20	11.0741.038.23	11.0741.038.22	11.0741.038.26	Ø45	2
300 mm	25,4 mm (1")	11.0742.025.20	11.0742.025.23	11.0742.025.22		Ø32	2
300 mm	38,1 mm (1,5")	11.0742.038.20	11.0742.038.23	11.0742.038.22		Ø45	2

Showcase - 7500

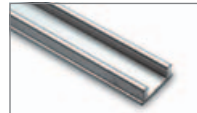
NEW



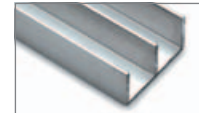
Aluminium, silver matt anodized
Glass 5 - 6 mm



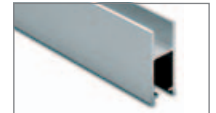
Art.no. 29.7500.000.46



1 x 21.0901.000.46
(■ 207)



1 x 21.0902.000.46
(■ 207)



1 x 21.0921.000.46
(■ 207)



1 x 21.8810.000.00 (2 m)
(■ 207)



4 x 21.0801.000.46
(■ 206)



10 x 21.0811.000.00
(■ 207)



2 x 21.0805.000.16
(■ 206)

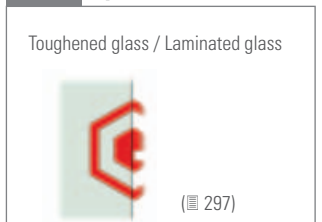


2 x 21.0806.000.16
(■ 206)

INFO optional



INFO optional

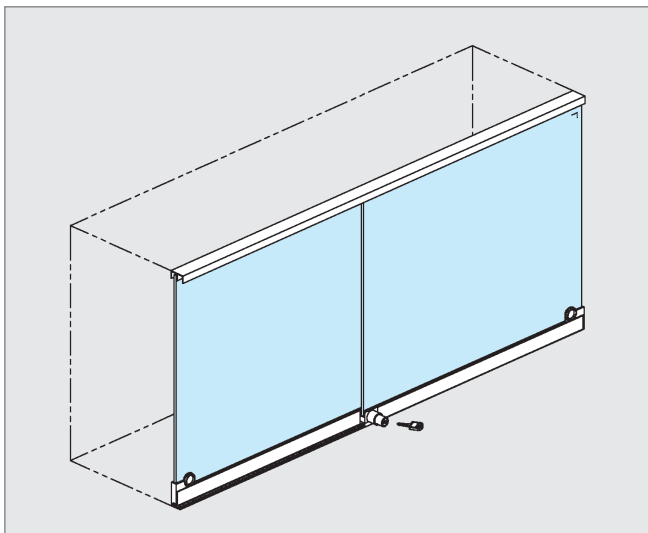


Showcase - 7510

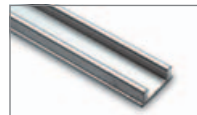
NEW



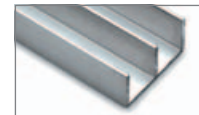
Aluminium, silver matt anodized
Glass 5 - 6 mm
- lockable -



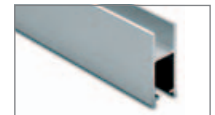
Art.no. 29.7510.000.46



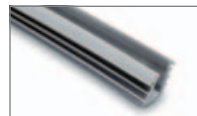
1 x 21.0901.000.46
(■ 207)



1 x 21.0902.000.46
(■ 207)



1 x 21.0921.000.46
(■ 207)



1 x 21.8810.000.00 (2 m)
(■ 207)



4 x 21.0801.000.46
(■ 206)



10 x 21.0811.000.00
(■ 207)



2 x 21.0805.000.16
(■ 206)



1 x 21.0806.000.16
(■ 206)

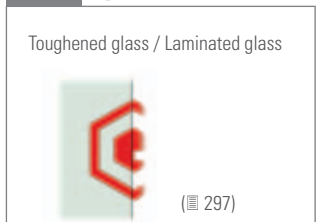


1 x 21.0821.006.16
(■ 209)

INFO optional



INFO optional



6

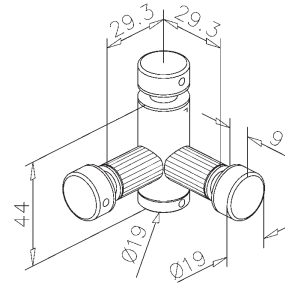
Connector - 760



glass/glass

Stainless steel design

Art.no.	glass	
22.0760.019.12	3 - 10 mm	1



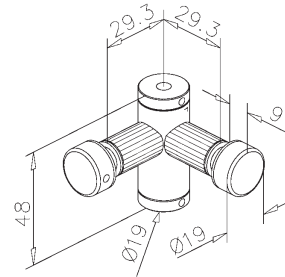
Connector - 761



glass/shelf

Stainless steel design

Art.no.	glass	
22.0761.019.12	3 - 10 mm	1



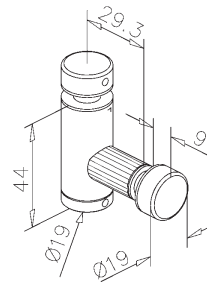
Connector - 762



glass/glass

Stainless steel design

Art.no.	glass	
22.0762.019.12	3 - 10 mm	1



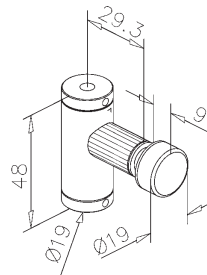
Connector - 763



glass/shelf

Stainless steel design


Art.no.	glass	
22.0763.019.12	3 - 10 mm	1

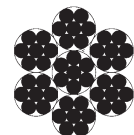
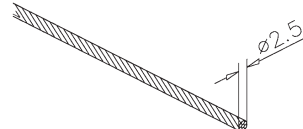


Cable - 100



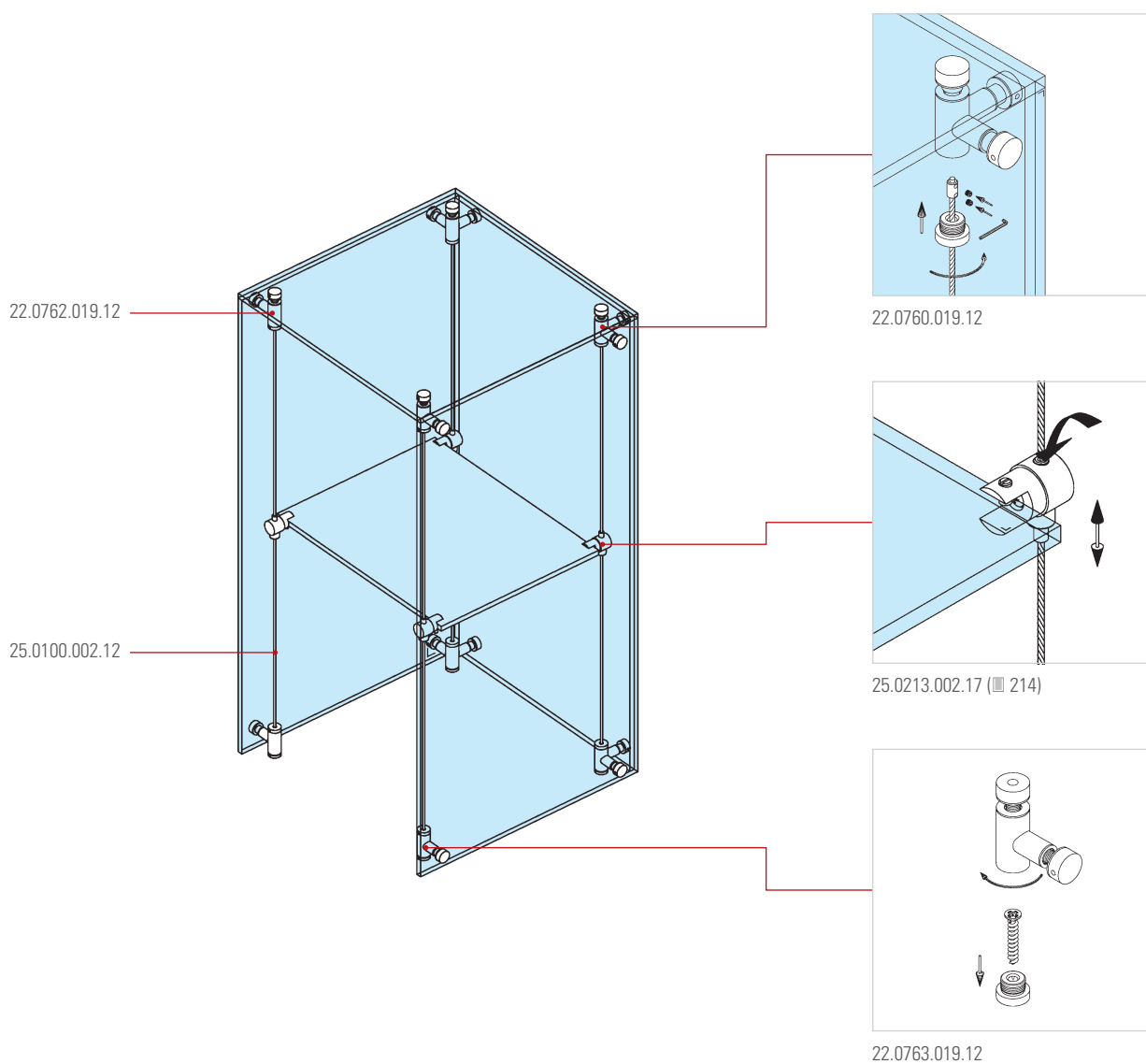
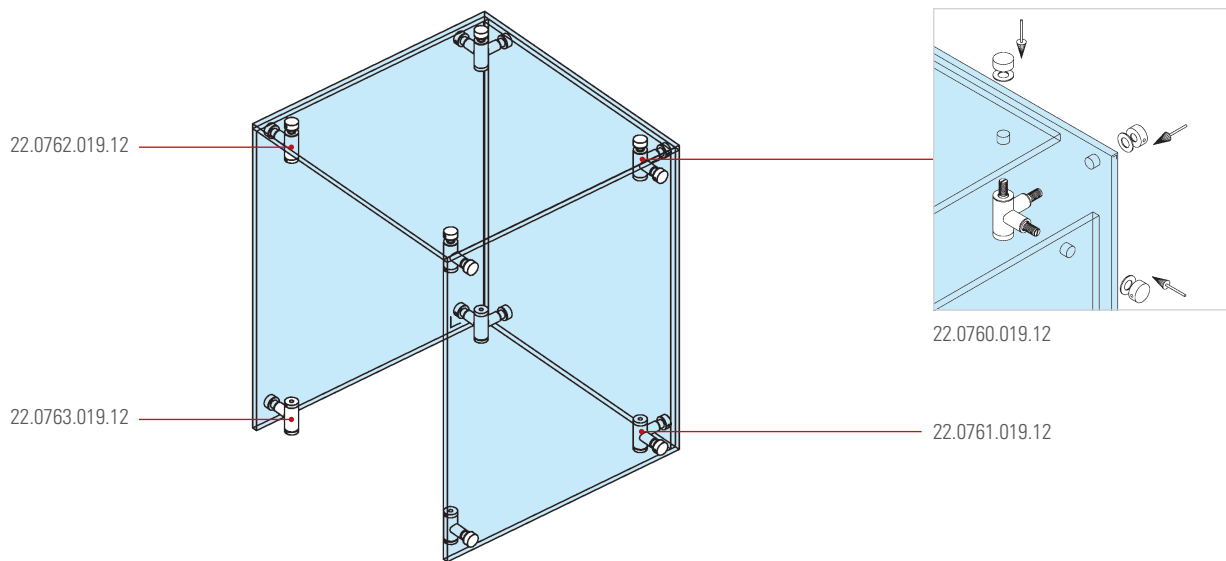
7 x 7, Ø 2,5, stainless steel

Art.no.	L	
25.0100.002.12	5 m	1



7 x 7, Ø 2,5

INFO Connectors



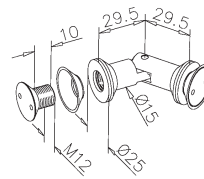
Connector - 770



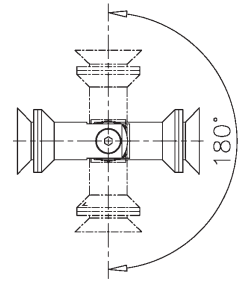
with sunken cap, adjustable
glass/glass

Stainless steel design

Art.no.	glass	
22.0770.028.12	5 - 10 mm	1



INFO Connectors



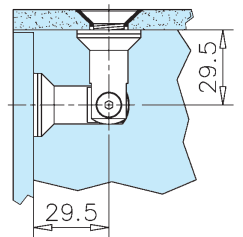
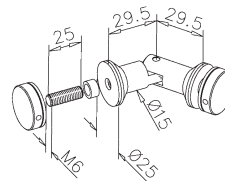
Connector - 771



adjustable
glass/glass

Stainless steel design

Art.no.	glass	
22.0771.028.12	5 - 10 mm	1



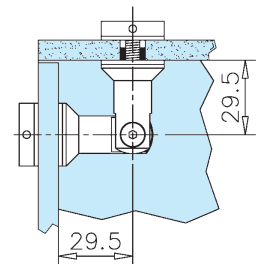
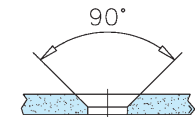
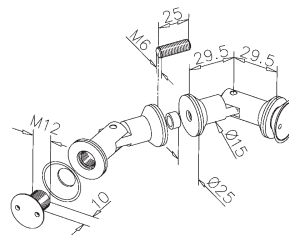
Connector set - 772



adjustable
glass/glass/glass

Stainless steel design

Art.no.	glass	
22.0772.028.12	5 - 10 mm	1



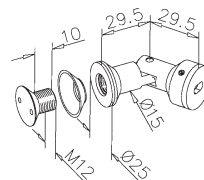
Connector - 773



adjustable
glass/shelf

Stainless steel design

Art.no.	glass	
22.0773.028.12	5 - 10 mm	1



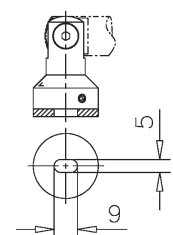
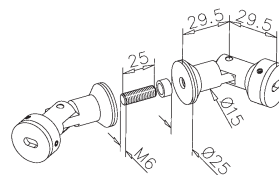
Connector set - 774



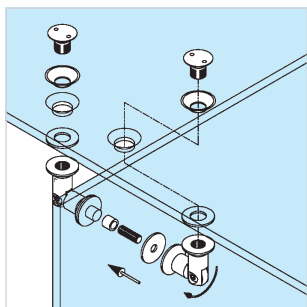
adjustable
shelf/glass/shelf

Stainless steel design

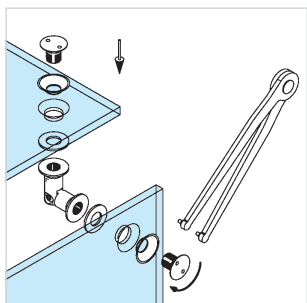
Art.no.	glass	
22.0774.028.12	5 - 10 mm	1



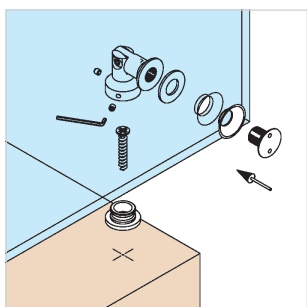
INFO Connectors



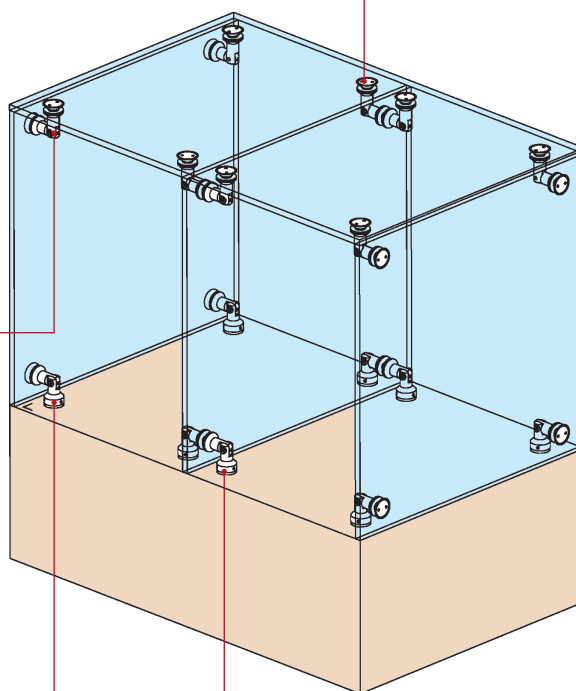
22.0772.028.12



22.0770.028.12



22.0773.028.12



22.0774.028.12

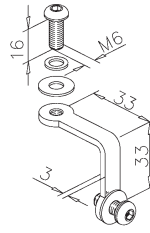


Connector - 764

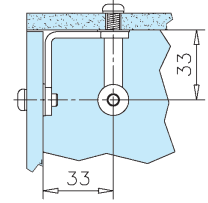


Chrome design

Art.no.	glass	
22.0764.033.17	3 - 10 mm	2



INFO 22.0764...

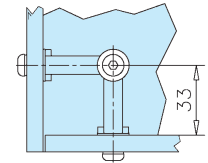
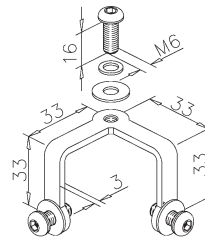


Connector - 765

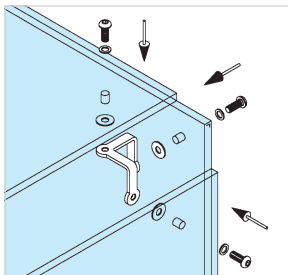


Chrome design

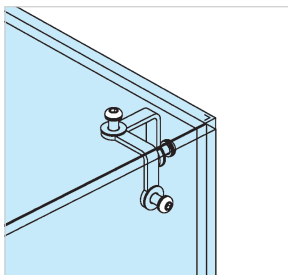
Art.no.	glass	
22.0765.033.17	3 - 10 mm	2



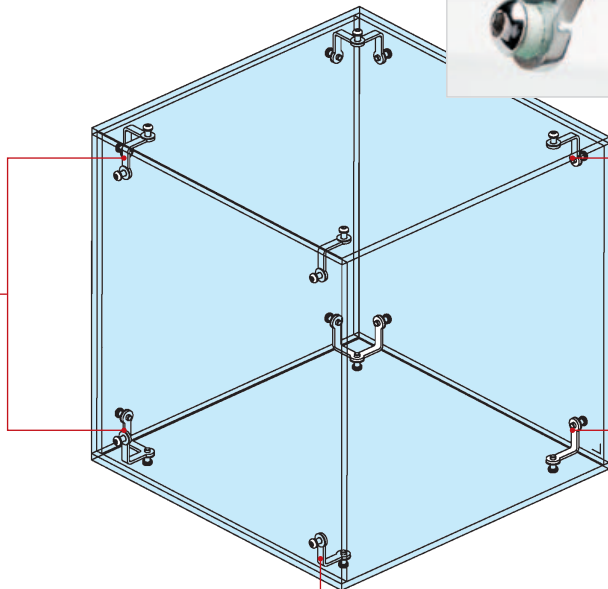
INFO 22.0764... / 22.0765...



22.0765.033.17



22.0764.033.17



22.0764.033.17

22.0764.033.17

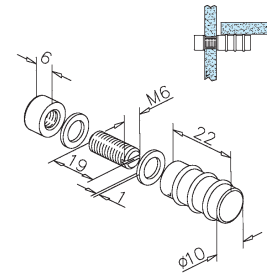
Glass shelf rest - 748



single side

Chrome design

Art.no.	glass	
22.0748.012.17	3 - 10 mm	1



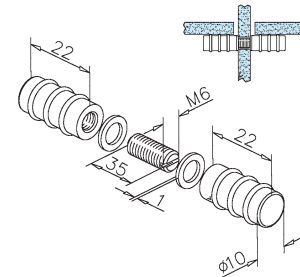
Glass shelf rest - 747



double side

Chrome design

Art.no.	glass	
22.0747.012.17	3 - 10 mm	1



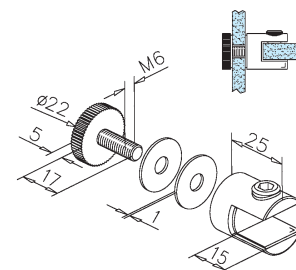
Connector - 1910



for glass shelf, single side

Stainless steel design Chrome design

Art.no.	Art.no.	glass	
22.1910.000.20	22.1910.000.23	6 - 10 mm	1



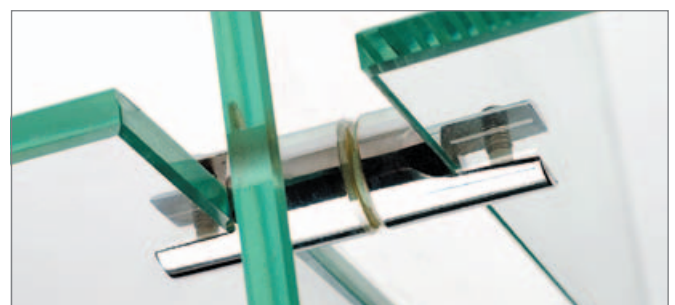
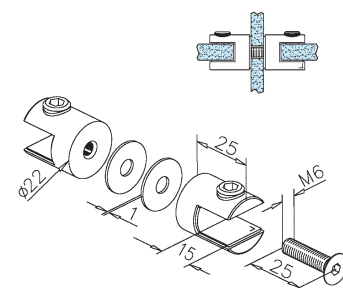
Connector - 1912



for glass shelf, double side

Stainless steel design Chrome design


Art.no.	Art.no.	glass	
22.1912.000.20	22.1912.000.23	6 - 10 mm	1

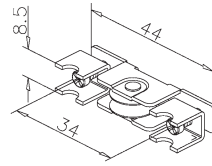



Roller bearing - 801



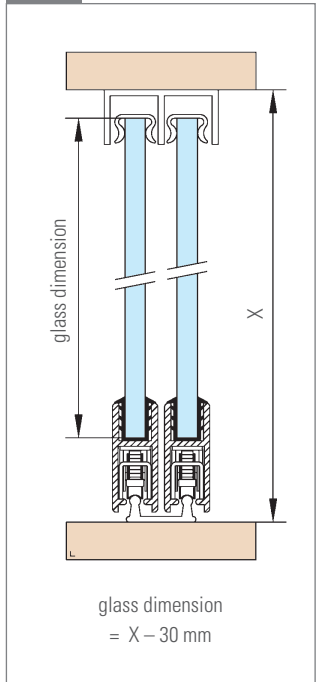
steel/aluminium

Art.no. 
 21.0801.000.46 5



max. 10  kg

INFO Dimension

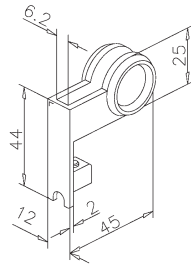


Endcap - 805



with finger grip
 aluminium matt chrome

Art.no. 
 21.0805.000.16 2

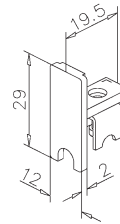


Endcap - 806



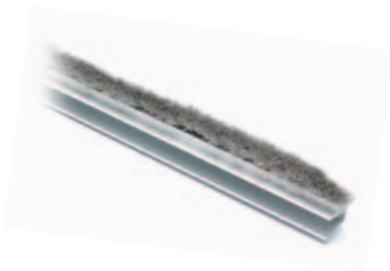
aluminium matt chrome

Art.no. 
 21.0806.000.16 10



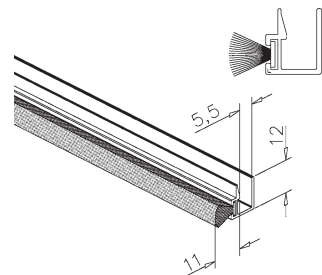
6

Dust flap - 4100 / 006



for clamp fixation
 silver anodized

Art.no.	glass	L	
19.4125.006.46	6 mm	2500 mm	1
19.4100.006.46	6 mm	5000 mm	1



INFO Showcase

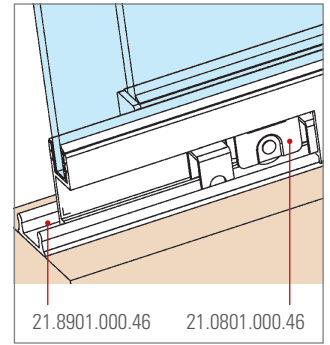
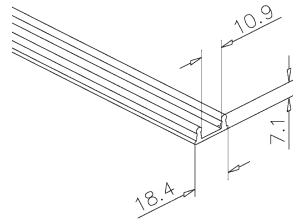


Bottom track - 901

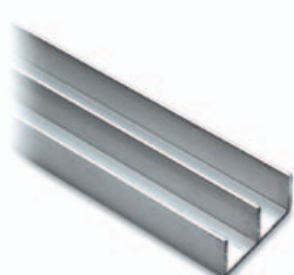


aluminium, silver matt anodized

Art.no.	L
21.0901.000.46	2000 mm
21.8901.000.46	cutted

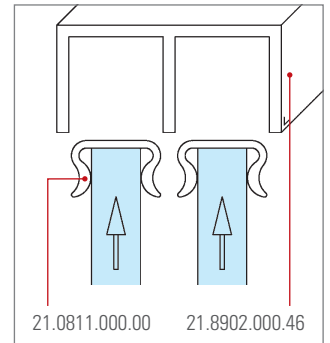
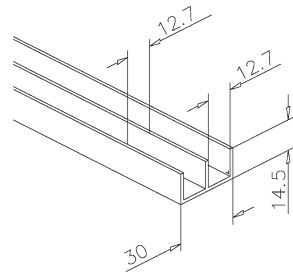


Top track - 902

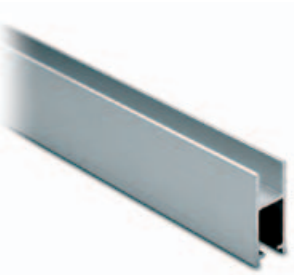


aluminium, silver matt anodized

Art.no.	L
21.0902.000.46	2000 mm
21.8902.000.46	cutted

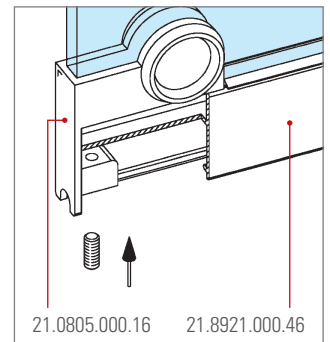
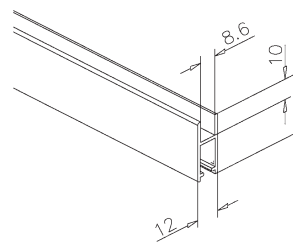


Glass rail - 921

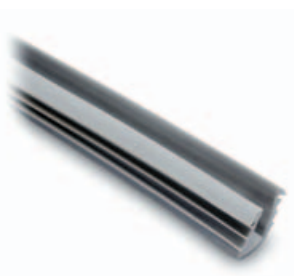


aluminium, silver matt anodized

Art.no.	L
21.0921.000.46	2000 mm
21.8921.000.46	cutted

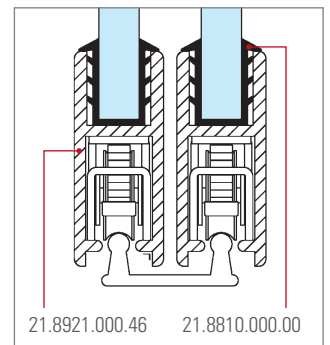
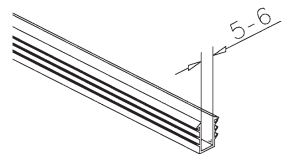


Spline for glass rail - 810



ABS

Art.no.	L
21.0810.000.00	50 m
21.8810.000.00	cutted

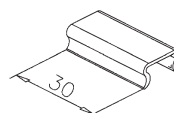


Silencer - 811



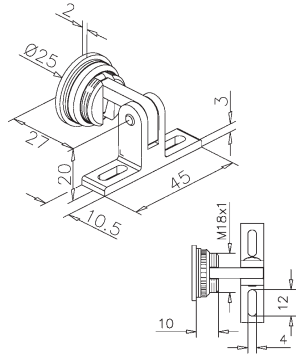
ABS

Art.no.	Quantity
21.0811.000.00	10



6

Door hinge - 3806



pair
Chrome design

Art.no.	glass	
23.3806.000.17	4 - 6 mm	1

INFO 23.3806.000.17

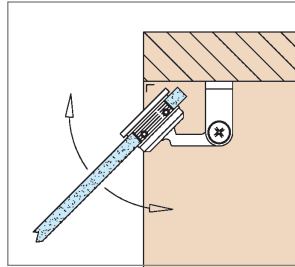
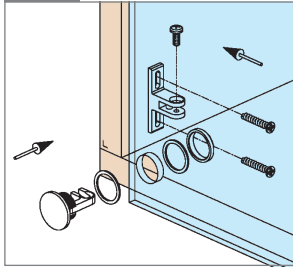
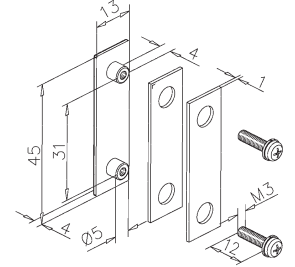


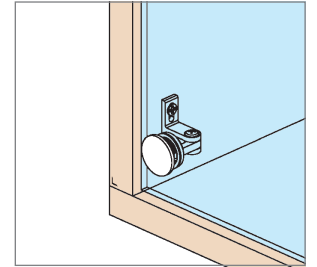
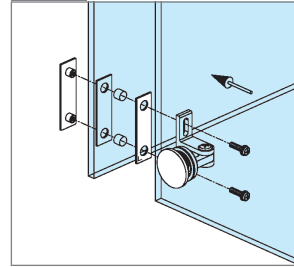
Plate glass/glass - 3800



pair
Chrome design

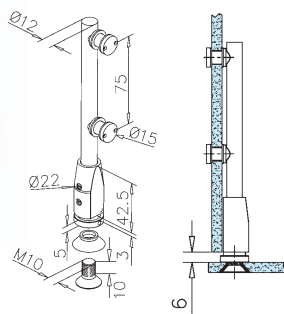
Art.no.	glass	
23.3800.000.17	4 - 6 mm	1

INFO 23.3800.000.17



6

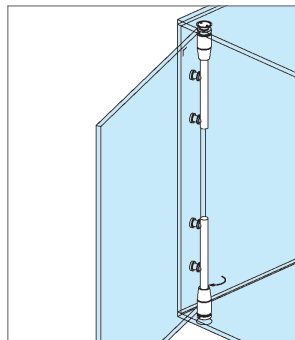
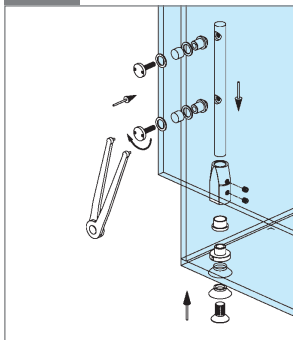
Door hinge - 766



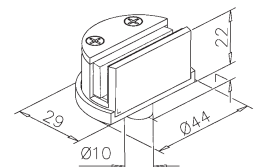
pair
Stainless steel design

Art.no.	glass	
23.0766.000.12	6 - 8 mm	1

INFO 23.0766.000.12



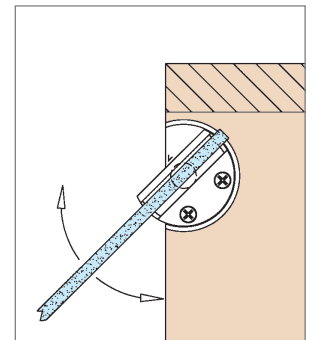
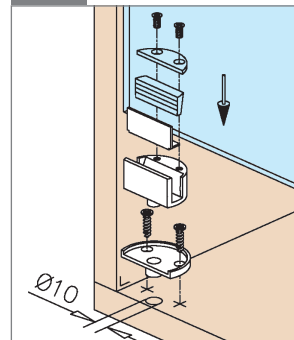
Door hinge - 3826



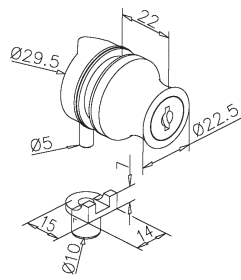
pair
Chrome design

Art.no.	glass	
23.3826.000.17	5 mm	1

INFO 23.3826.000.17



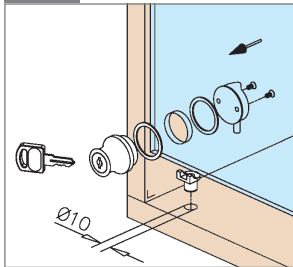
Glass door cylinder lock - 1002



Chrome design

	Art.no.	glass	
KD	23.1002.006.17	4 - 6 mm	1
KA	23.1002.106.17	4 - 6 mm	1

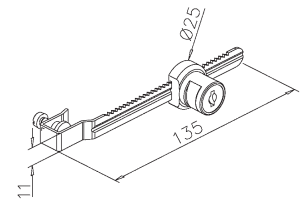
INFO 23.1002...



KD: keyed different

KA: keyed alike

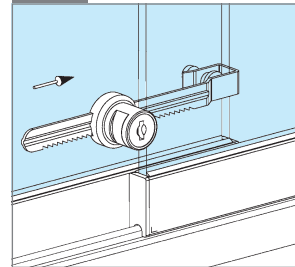
Sliding glass door lock - 1001



Chrome design

	Art.no.	glass	
KD	21.1001.006.17	5 - 6 mm	1
KA	21.1001.106.17	5 - 6 mm	1

INFO 21.1001...



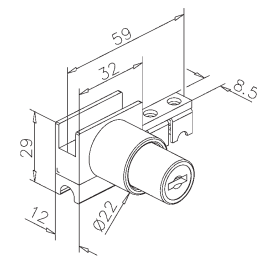
KD: keyed different

KA: keyed alike

Sliding glass door push lock - 821



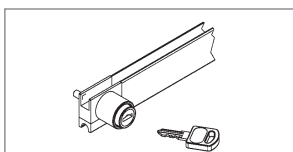
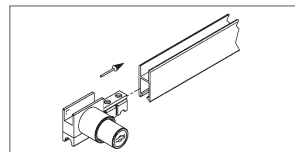
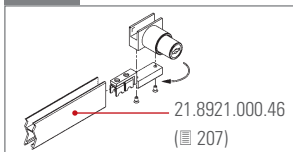
for left and right



matt chrome

	Art.no.	glass	
KD	21.0821.006.16	5 - 6 mm	1
KA	21.0821.106.16	5 - 6 mm	1

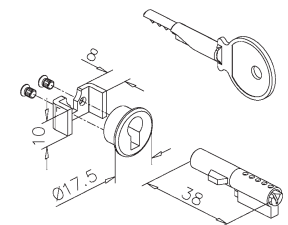
INFO 21.0821...



KD: keyed different

KA: keyed alike

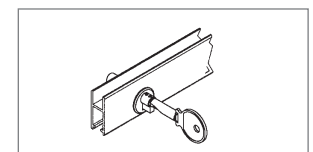
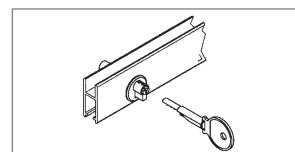
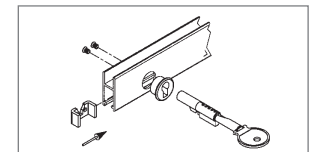
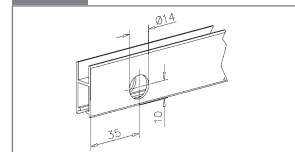
Sliding glass door lock - 822



Chrome design

Art.no.	glass	
21.0822.006.17	5 - 6 mm	1

INFO 21.0822.006.17



Display - 7000



Chrome design
Glass 5 - 8 mm

Display - 7010

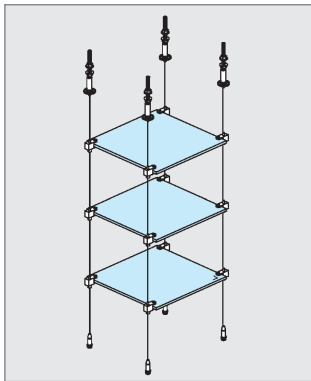


Chrome design
Glass 5 - 8 mm

6

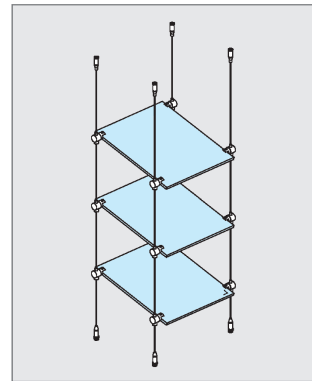
outside

Art.no. 29.7000.001.17



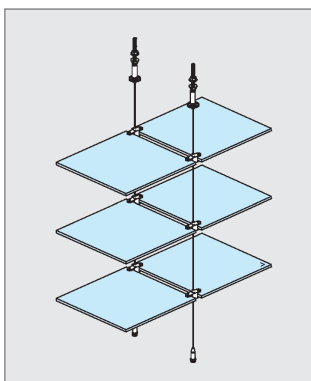
outside, turnable

Art.no. 29.7010.001.17



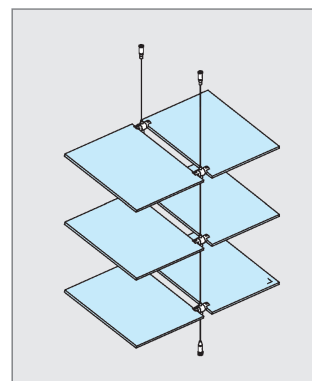
middle

Art.no. 29.7000.002.17



middle, turnable

Art.no. 29.7010.002.17

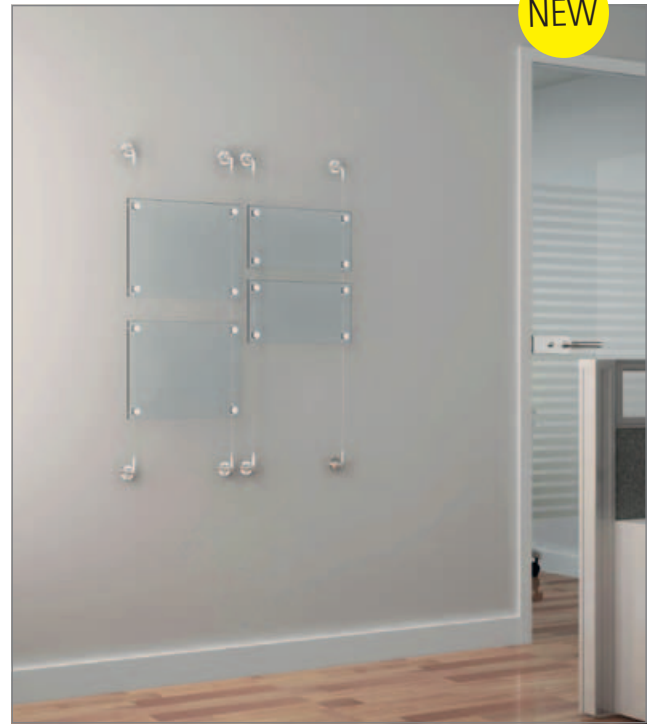


Display - 7020



Chrome design
Glass 5 - 8 mm

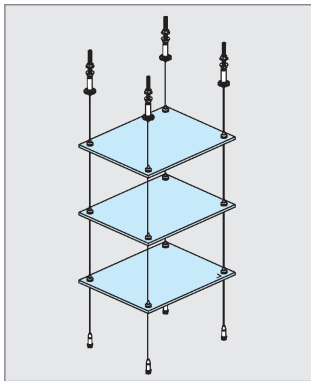
Display - 7030



Chrome design
Glass 5 - 8 mm

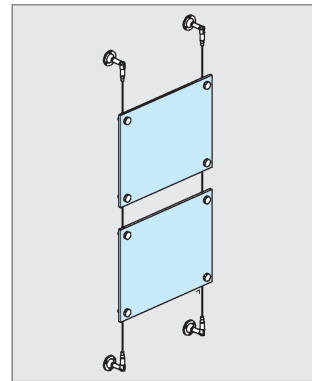
outside

Art.no. 29.7020.001.17



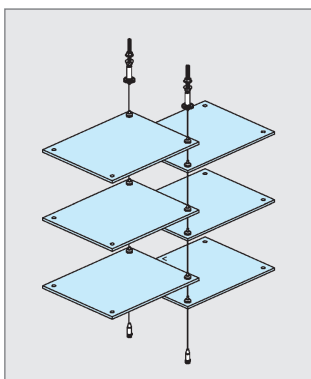
vertical

Art.no. 29.7030.000.17



middle

Art.no. 29.7020.002.17



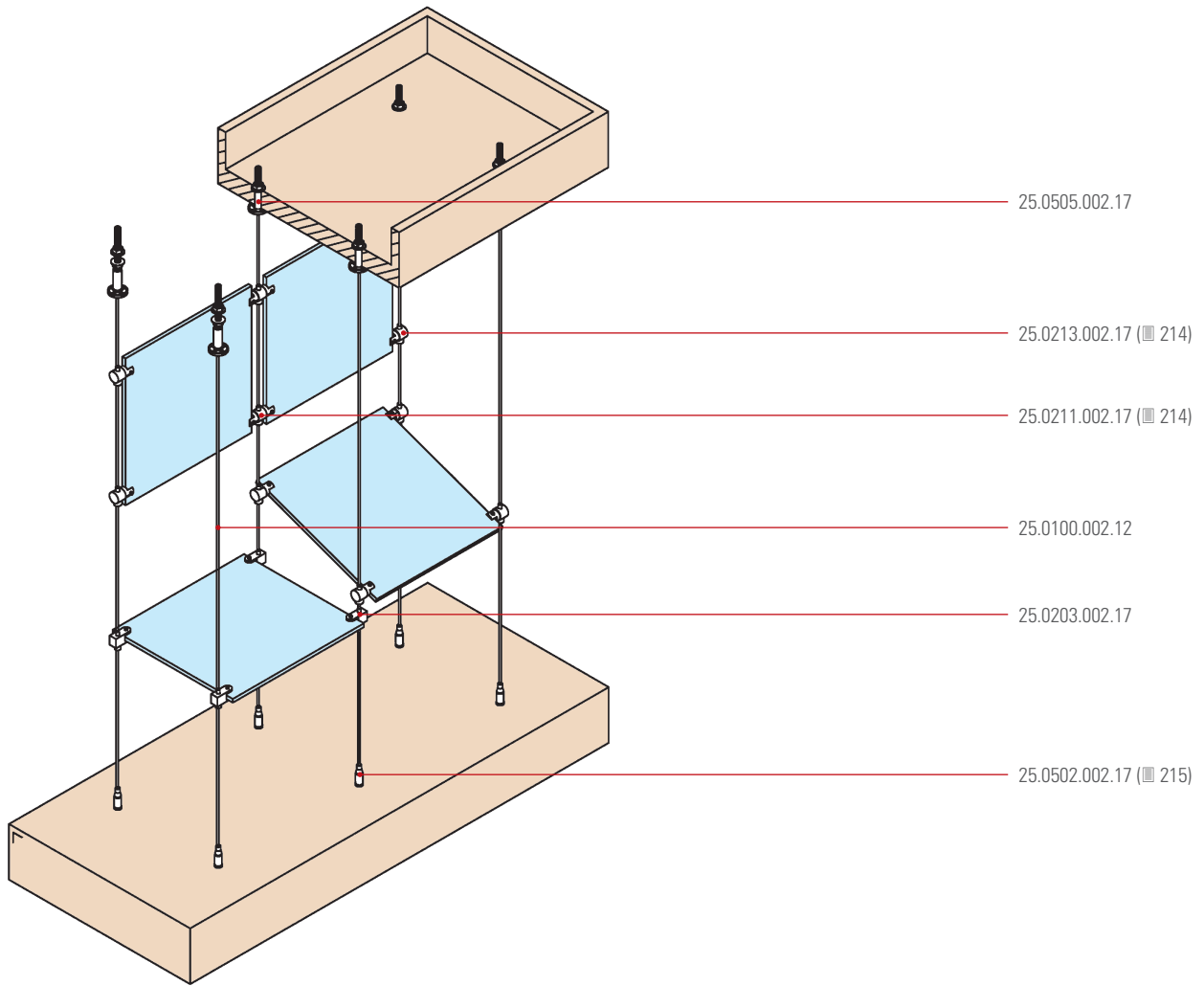
INFO optional

Toughened glass /
Laminated glass

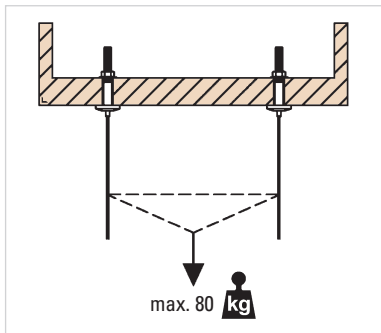


(■ 297)

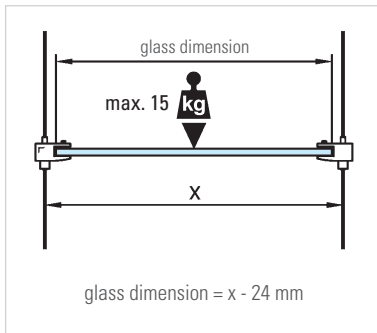
INFO Display systems



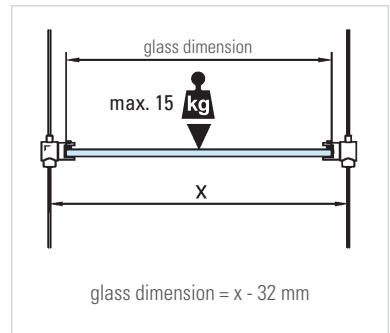
6



25.0505.002.17



25.0201.002.17 / 25.0203.002.17



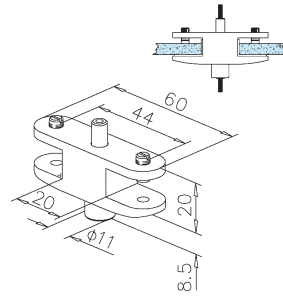
25.0211.002.17 / 25.0213.002.17 (214)

Glass support - 201



middle
Chrome design

Art.no.	glass	
25.0201.002.17	5 - 8 mm	2

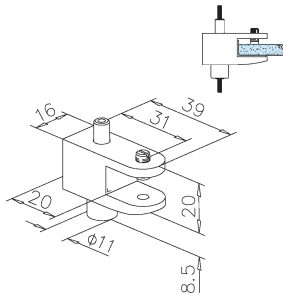


Glass support - 203



outside
Chrome design

Art.no.	glass	
25.0203.002.17	5 - 8 mm	2

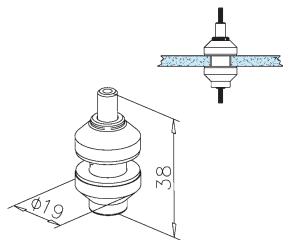


Glass support - 202



horizontal
Chrome design

Art.no.	glass	
25.0202.002.17	5 - 8 mm	4

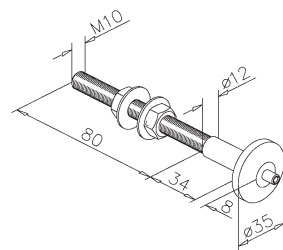


Ceiling flange - 505



brass/steel chrome plated

Art.no.		
25.0505.002.17		4

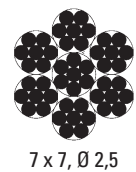
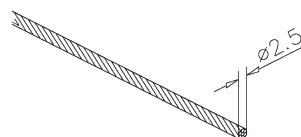
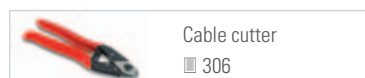


Cable - 100



7 x 7, Ø 2,5, stainless steel

Art.no.	L	
25.0100.002.12	5 m	1



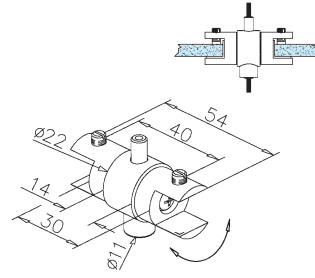
7 x 7, Ø 2,5

Glass support - 211



middle, turnable
Chrome design

Art.no.	glass	
25.0211.002.17	5 - 8 mm	2

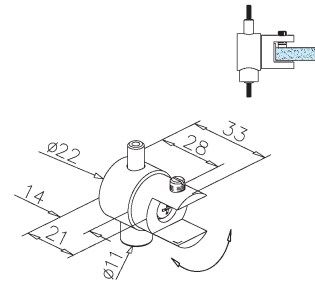


Glass support - 213



outside, turnable
Chrome design

Art.no.	glass	
25.0213.002.17	5 - 8 mm	2



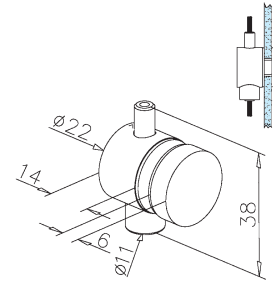
6

Glass support - 204

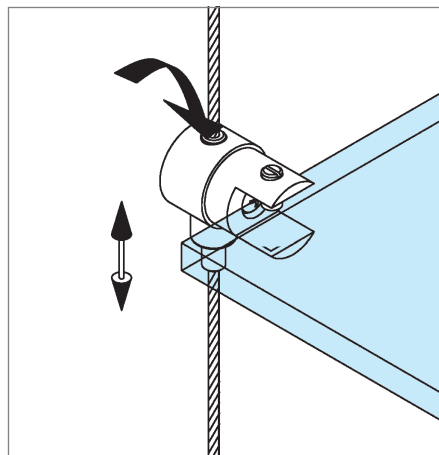
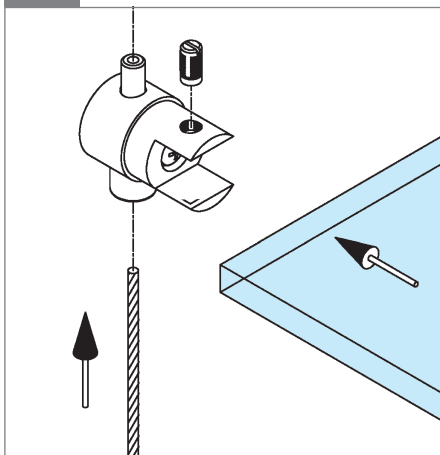


vertical
Chrome design

Art.no.	glass	
25.0204.002.17	5 - 8 mm	2




INFO 25.0213.002.17

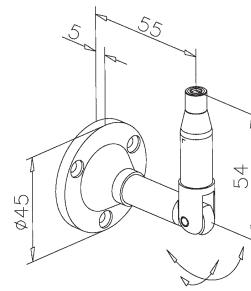


Flange - 504



adjustable, self-tensioning
Chrome design

Art.no. 
25.0504.002.17 2

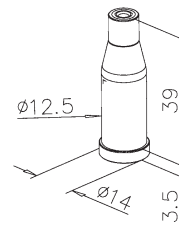


Ceiling and floor flange - 503



self-tensioning
Chrome design


Art.no. 
25.0503.002.17 4

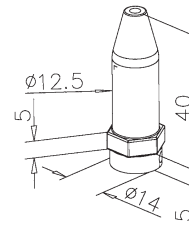


Floor flange - 502



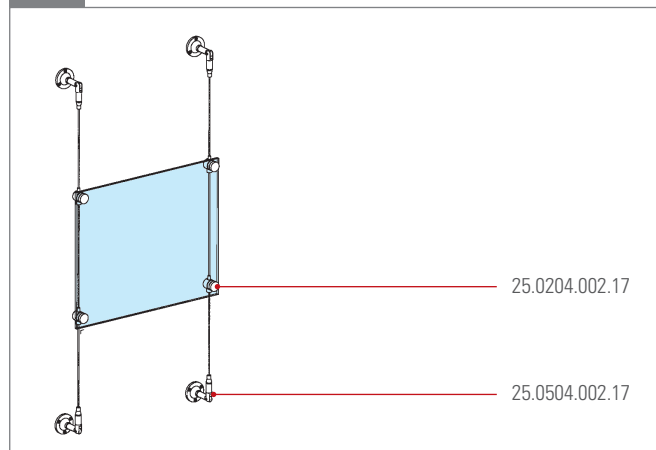
Chrome design

Art.no. 
25.0502.002.17 4

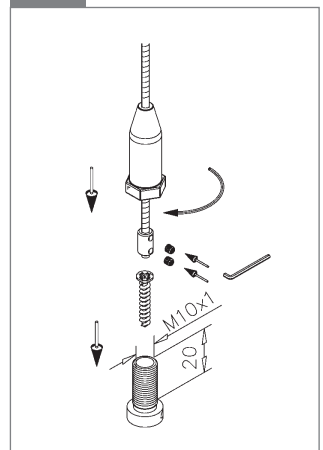


6

INFO 25.0504.002.17 / 25.0204.002.17



INFO 25.0502.002.17

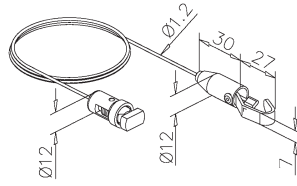


Display hook - 8105

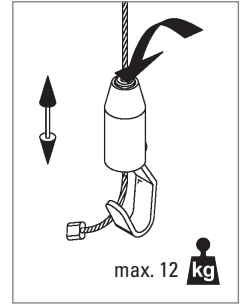
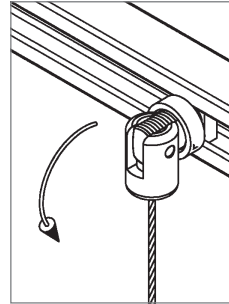
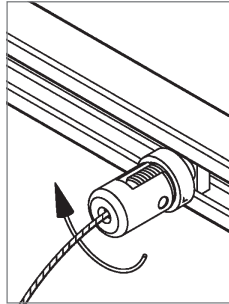
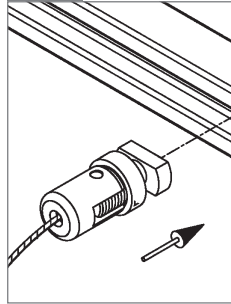


with wire
Chrome design

Art.no.	L	
25.8105.001.17	1200 mm	1



INFO 25.8105.001.17




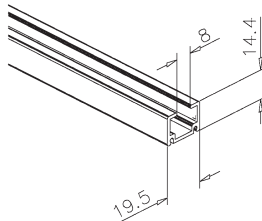
6

Railing track - 8902

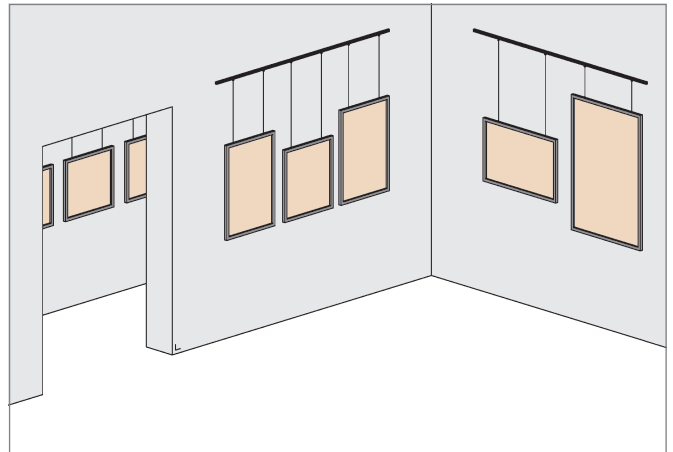
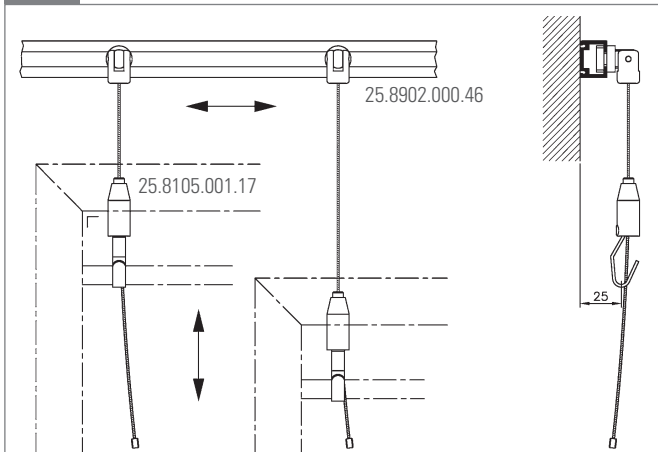


aluminium

Art.no.	L	
25.8902.000.46	2 m	1




INFO 25.8902.000.46

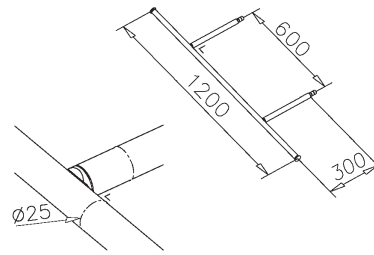


Cross bracket pins - 7542



for clothes hangers
Stainless steel design

Art.no.	L	
28.7542.025.12	1200 mm	1

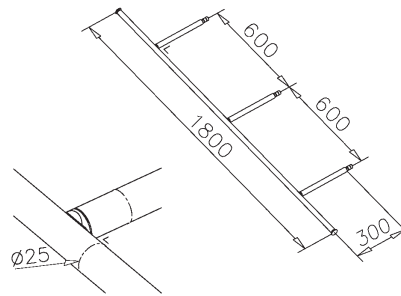


Cross bracket pins - 7543



for clothes hangers
Stainless steel design

Art.no.	L	
28.7543.025.12	1800 mm	1

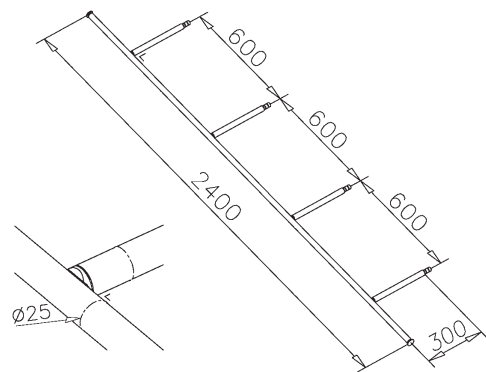


Cross bracket pins - 7544



for clothes hangers
Stainless steel design

Art.no.	L	
28.7544.025.12	2400 mm	1




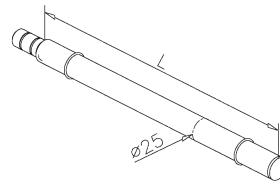
⇨ production according to order
⇨ other dimensions possible

Bracket pin - 7520



with 2 rubber rings for glass shelf
Stainless steel design


Art.no.	L	
28.7520.025.12	350 mm	1
28.7529.025.12	variable	1

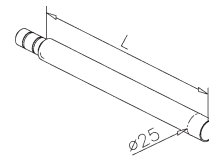


Blind bracket pin - 7540



for wooden shelf
Stainless steel design


Art.no.	L	
28.7540.025.12	250 mm	1

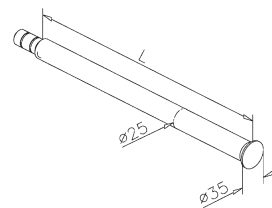


Bracket pin - 7510



for wooden shelf or clothes hangers
Stainless steel design


Art.no.	L	
28.7510.025.12	350 mm	1
28.7519.025.12	variable	1

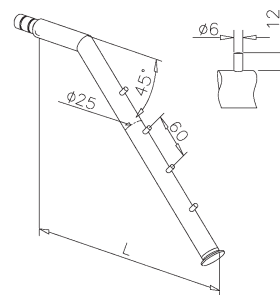


Bracket pin - 7530



angled, for clothes hangers
Stainless steel design

Art.no.	L	
28.7530.025.12	350 mm	1
28.7539.025.12	variable	1



INFO 28.7520.025.12




INFO 28.7530.025.12

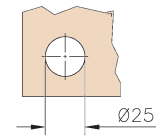
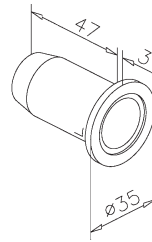



Wall insert sleeve - 1761



for bracket pin
Stainless steel design

Art.no. 
28.1761.025.12 2




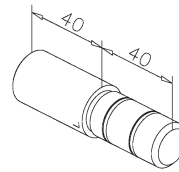
max. 25  kg

Bracket pin adapter - 1762



plug-in
Stainless steel design


Art.no. 
28.1762.025.12 2

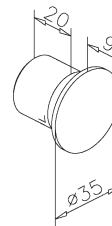


End cap - 1763



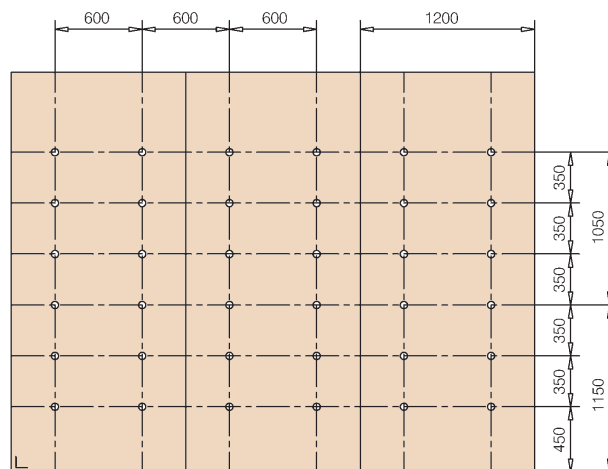
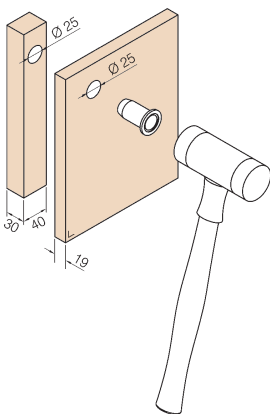
for bracket pin
Stainless steel design

Art.no. 
28.1763.025.12 2

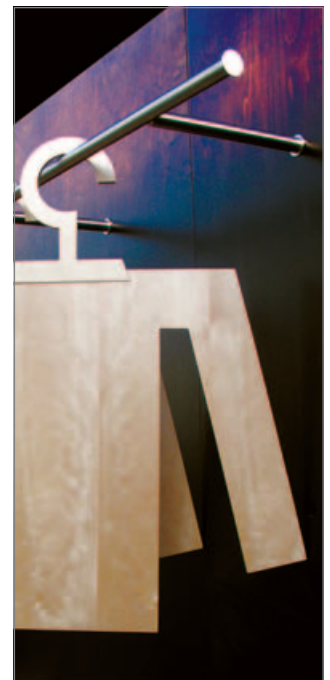


6

INFO 28.1761.025.12



Note:
The arrangements of the insert sleeves must be adapted to respective assortment.

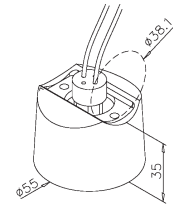


LED spot - 991

NEW

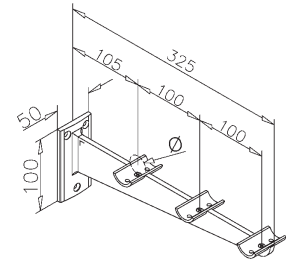


incl. illuminant 12 V / 4 W



	Stainless steel design	Chrome design	Brass design	
Ø	Art.no.	Art.no.	Art.no.	
38,1 mm (1,5")	12.0991.038.12	12.0991.038.10	11.0991.038.22	2

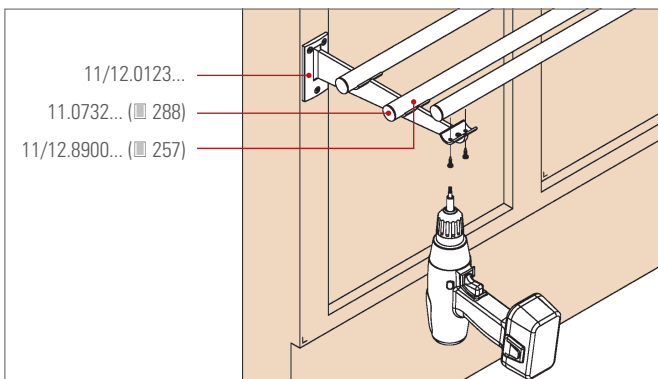
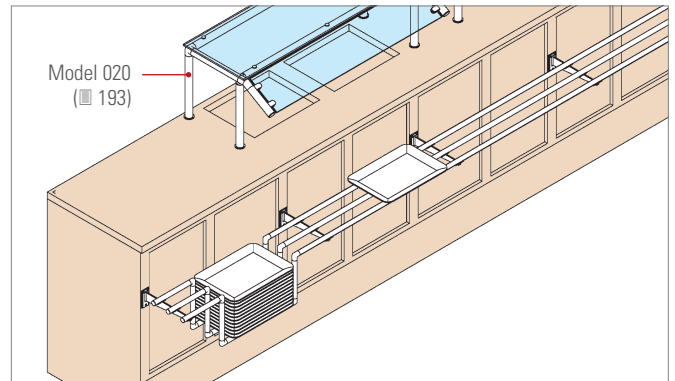
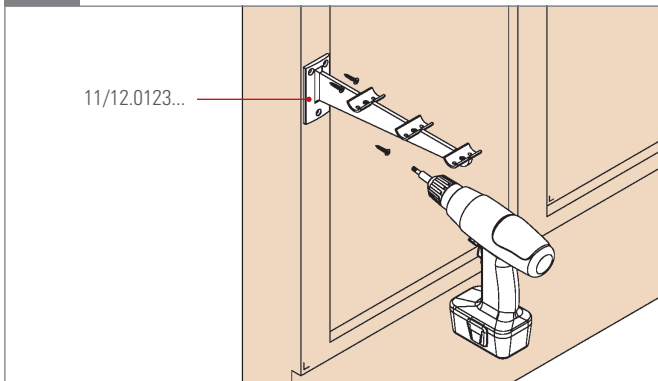
Tray slide bracket - 123



	Stainless steel design	Chrome design	Brass design	
Ø	Art.no.	Art.no.	Art.no.	
25,4 mm (1")	12.0123.025.12	12.0123.025.10	11.0123.025.22	2
38,1 mm (1,5")	12.0123.038.12	12.0123.038.10	11.0123.038.22	2

6

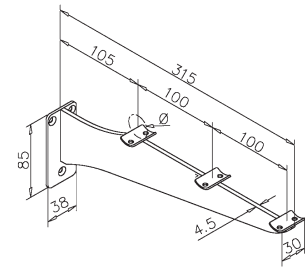
INFO 11/12.0123...



Tray slide bracket - 125



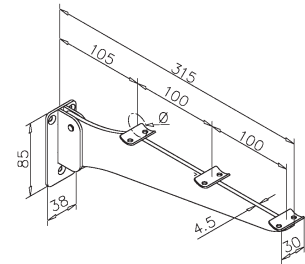
	Stainless steel design	
Ø	Art.no.	
25,4 mm (1")	12.0125.025.12	1



Tray slide bracket - 124



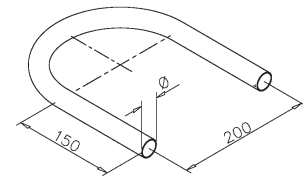
foldable	Stainless steel design	
Ø	Art.no.	
25,4 mm (1")	12.0124.025.12	1



Tray slide end - 130

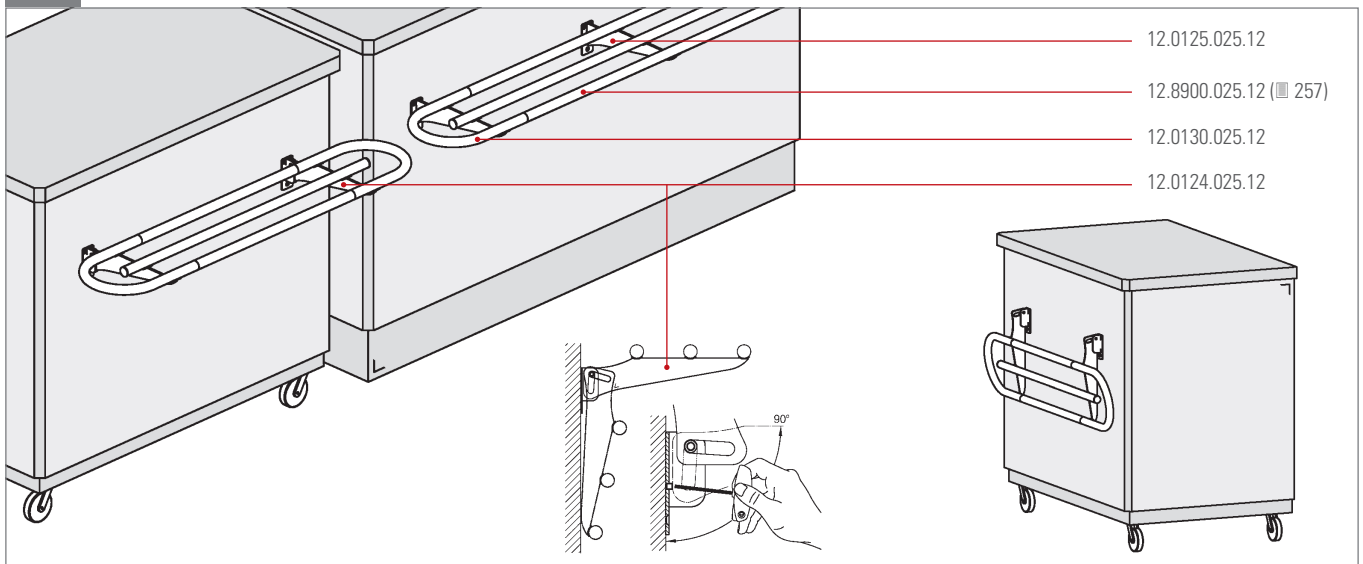


	Stainless steel design	
Ø	Art.no.	
25,4 mm (1")	12.0130.025.12	1



6

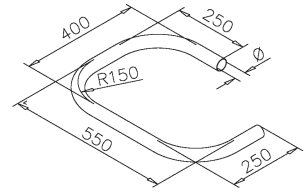
INFO 12.0124... / 12.0125... / 12.0130...



Waitress station - 902



270°

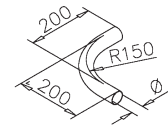


	Stainless steel design	Chrome design	Brass design	
Ø	Art.no.	Art.no.	Art.no.	
38,1 mm (1,5")	12.0902.038.12	12.0902.038.10	11.0902.038.22	1
50,8 mm (2")	12.0902.050.12	12.0902.050.10	11.0902.050.22	1

Bend tube - 903



90°



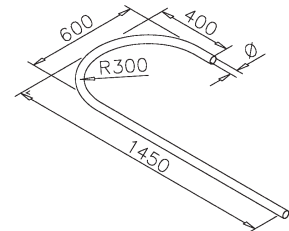
	Stainless steel design	Chrome design	Brass design	
Ø	Art.no.	Art.no.	Art.no.	
38,1 mm (1,5")	12.0903.038.12	12.0903.038.10	11.0903.038.22	1
50,8 mm (2")	12.0903.050.12	12.0903.050.10	11.0903.050.22	1

6

Waitress station - 905



180°



	Stainless steel design	Chrome design	Brass design	
Ø	Art.no.	Art.no.	Art.no.	
38,1 mm (1,5")	12.0905.038.12	12.0905.038.10	11.0905.038.22	1

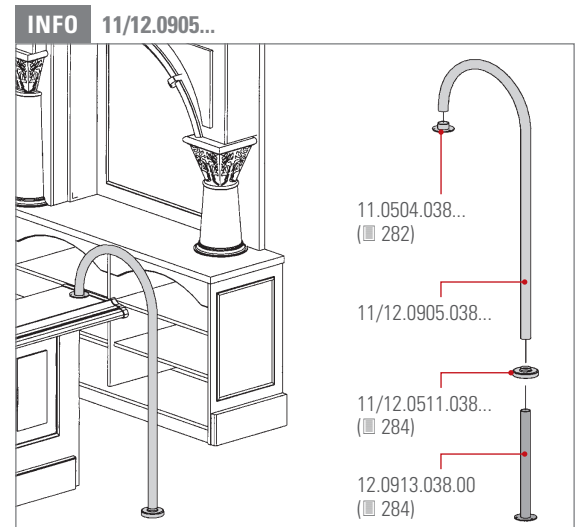
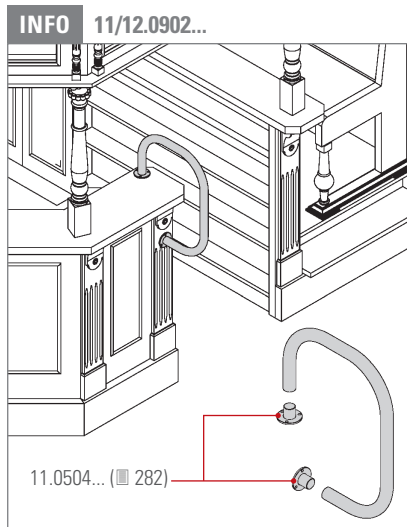
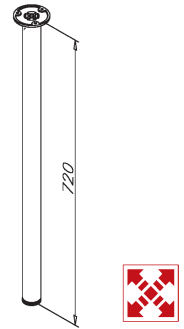


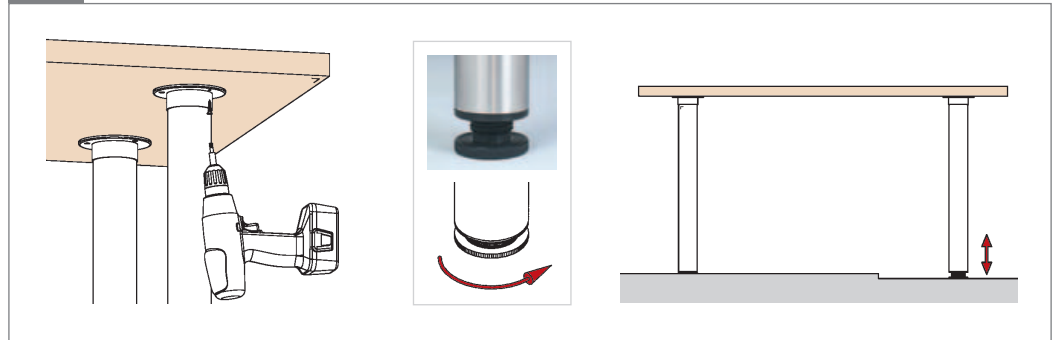
Table base - 620



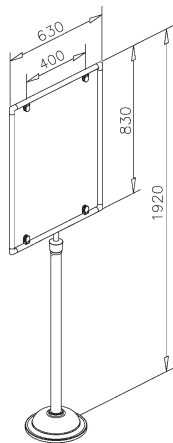
	Stainless steel design	Chrome design	Brass design	NEW Anthracite design
Ø	Art.no.	Art.no.	Art.no.	Art.no.
38,1 mm (1,5")	20.6200.038.20	20.6200.038.23	20.6200.038.22	20.6200.038.26
50,8 mm (2")	20.6200.050.20	20.6200.050.23	20.6200.050.22	



INFO Table bases

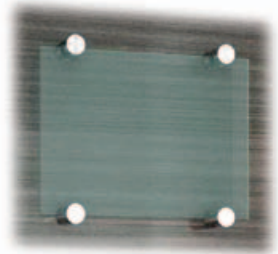


Information board - 5830



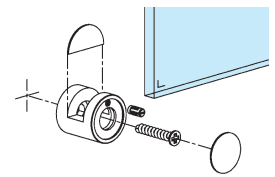
Stainless steel design	Chrome design	Brass design
Art.no.	Art.no.	Art.no.
12.5830.000.12	12.5830.000.10	11.5830.000.22

Information board - 3010

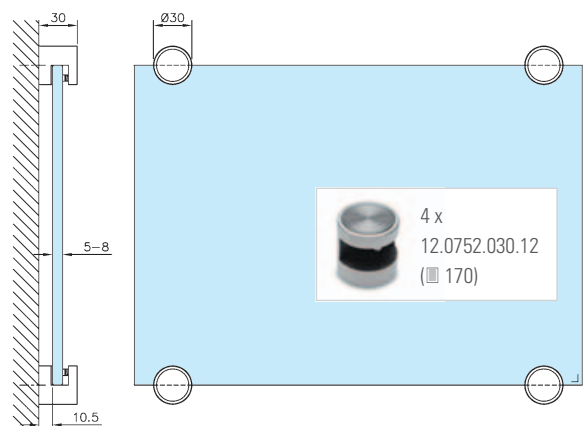


Stainless steel design

Art.no.	glass
29.3010.030.12	5 - 8 mm

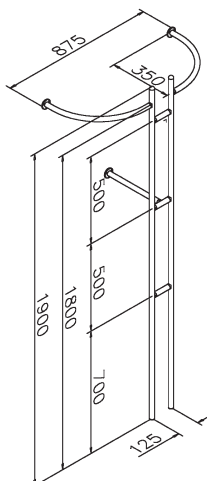


INFO 29.3010.030.12



Example for glass 350 x 250 mm (glass thickness 5 - 8 mm).
Prices for glass upon request.

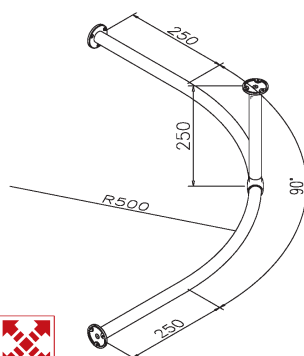
Wardrobe - 720



NEW

	Stainless steel design	Chrome design	Brass design	Anthracite design
Ø	Art.no.	Art.no.	Art.no.	Art.no.
25,4 mm (1")	20.7200.025.20	20.7200.025.23	20.7200.025.22	20.7200.025.26

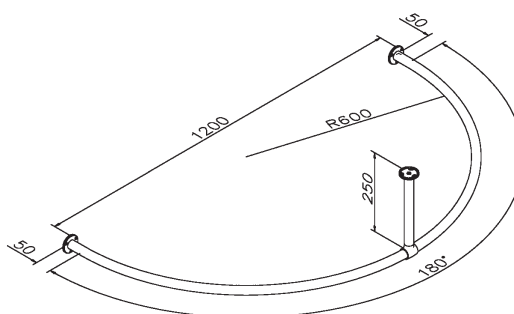
Wardrobe - 740 (90°)



NEW

	Stainless steel design	Chrome design	Brass design	Anthracite design
Ø	Art.no.	Art.no.	Art.no.	Art.no.
25,4 mm (1")	20.7400.025.20	20.7400.025.23	20.7400.025.22	20.7400.025.26

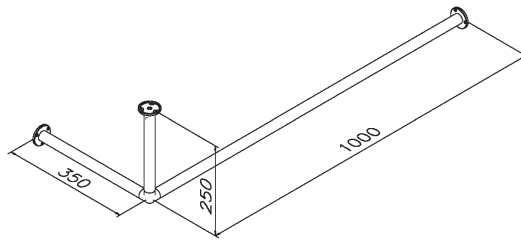
Wardrobe - 741 (180°)



NEW

	Stainless steel design	Chrome design	Brass design	Anthracite design
Ø	Art.no.	Art.no.	Art.no.	Art.no.
25,4 mm (1")	20.7410.025.20	20.7410.025.23	20.7410.025.22	20.7410.025.26

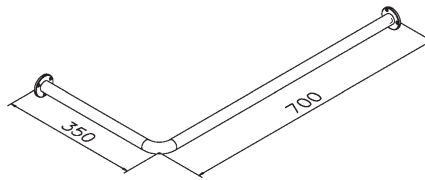
Wardrobe - 730



NEW

	Stainless steel design	Chrome design	Brass design	Anthracite design
∅	Art.no.	Art.no.	Art.no.	Art.no.
25,4 mm (1")	20.7300.025.20	20.7300.025.23	20.7300.025.22	20.7300.025.26

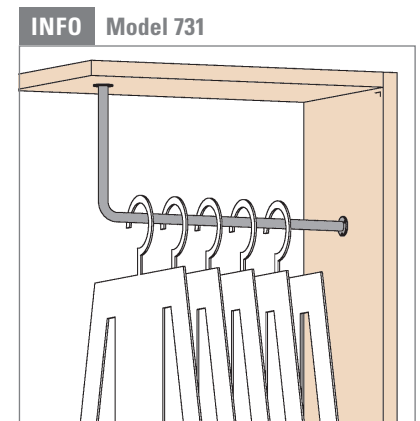
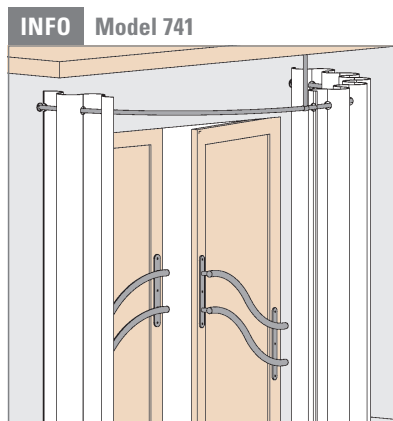
Wardrobe - 731




NEW

	Stainless steel design	Chrome design	Brass design	Anthracite design
∅	Art.no.	Art.no.	Art.no.	Art.no.
25,4 mm (1")	20.7310.025.20	20.7310.025.23	20.7310.025.22	20.7310.025.26

6

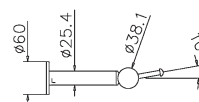


NEW Anthracite design


 ⇨ production according to order
 ⇨ other dimensions possible



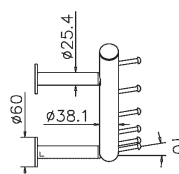
Wardrobe - 710



Ø 38,1 mm (1,5")

	Stainless steel design	Chrome design	Brass design
L	Art.no.	Art.no.	Art.no.
750 mm	20.7100.075.20	20.7100.075.23	20.7100.075.22
1000 mm	20.7100.100.20	20.7100.100.23	20.7100.100.22
1250 mm	20.7100.125.20	20.7100.125.23	20.7100.125.22

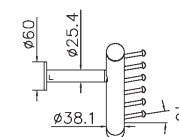
Wardrobe - 711 / 712



Ø 38,1 mm (1,5")


	L	H	Stainless steel design	Chrome design	Brass design
			Art.no.	Art.no.	Art.no.
	750 mm	80 mm	20.7110.075.20	20.7110.075.23	20.7110.075.22
	1000 mm	125 mm	20.7110.100.20	20.7110.100.23	20.7110.100.22
	1250 mm	200 mm	20.7110.125.20	20.7110.125.23	20.7110.125.22
	750 mm	80 mm	20.7120.075.20	20.7120.075.23	20.7120.075.22
	1000 mm	125 mm	20.7120.100.20	20.7120.100.23	20.7120.100.22
	1250 mm	200 mm	20.7120.125.20	20.7120.125.23	20.7120.125.22

Wardrobe - 713 / 714



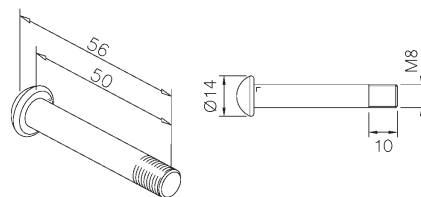
Ø 38,1 mm (1,5")


	L	H	Stainless steel design	Chrome design	Brass design
			Art.no.	Art.no.	Art.no.
	750 mm	140 mm	20.7130.075.20	20.7130.075.23	20.7130.075.22
	1000 mm	187 mm	20.7130.100.20	20.7130.100.23	20.7130.100.22
	1250 mm	205 mm	20.7130.125.20	20.7130.125.23	20.7130.125.22
	750 mm	140 mm	20.7140.075.20	20.7140.075.23	20.7140.075.22
	1000 mm	187 mm	20.7140.100.20	20.7140.100.23	20.7140.100.22
	1250 mm	205 mm	20.7140.125.20	20.7140.125.23	20.7140.125.22



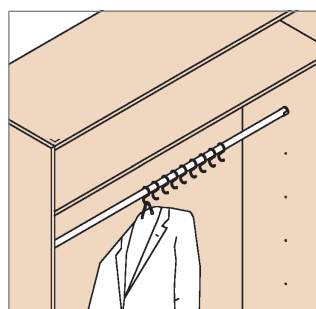
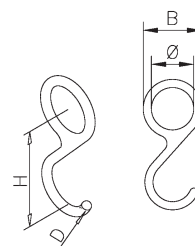
⇨ production according to order
 ⇨ other dimensions possible


Rail hook - 820



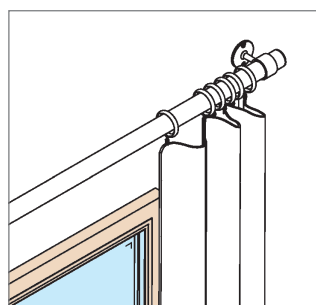
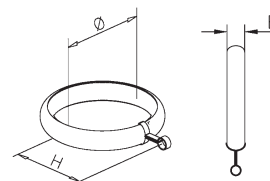
Stainless steel design	Chrome design	Brass design	
Art.no.	Art.no.	Art.no.	
12.0820.000.12	12.0820.000.10	11.0820.000.22	 10


S-Hook - 822



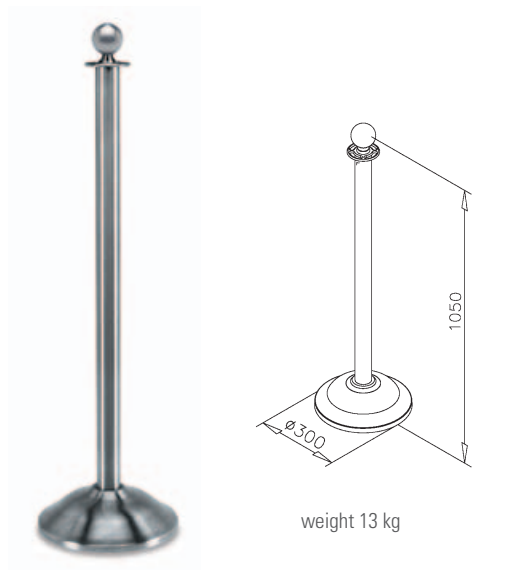
Ø	Stainless steel design	Chrome design	Brass design	H	D	B	
	Art.no.	Art.no.	Art.no.				
19,0 mm	11.0822.019.20	11.0822.019.23	11.0822.019.22	45	Ø4	29	 10
25,4 mm (1")	11.0822.025.20	11.0822.025.23	11.0822.025.22	57	Ø5	36	10

Curtain ring - 722



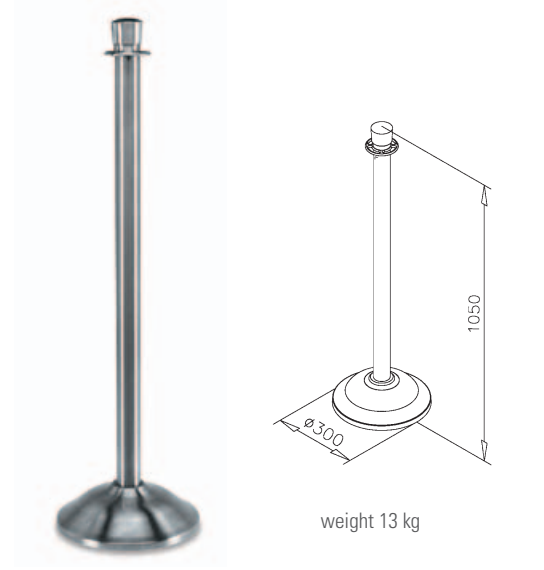
Ø	Stainless steel design	Chrome design	Brass design	H	B	
	Art.no.	Art.no.	Art.no.			
25,4 mm (1")	11.0722.025.20	11.0722.025.23	11.0722.025.22	28	6,5	 50
38,1 mm (1,5")	11.0722.038.20	11.0722.038.23	11.0722.038.22	40	9,5	50


Guidance post - 5801



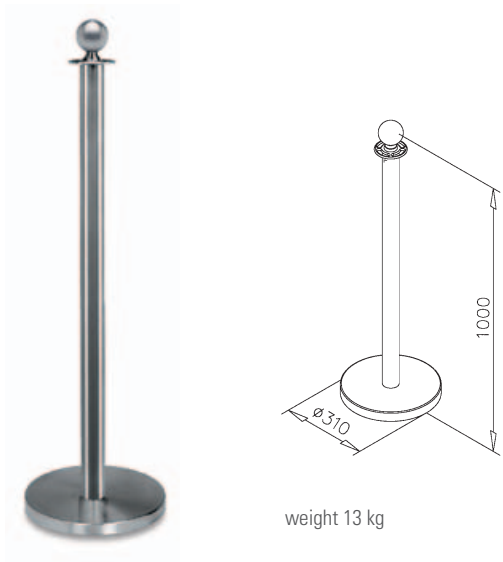
Stainless steel design	Chrome design	Brass design	
Art.no.	Art.no.	Art.no.	
12.5801.000.12	12.5801.000.10	11.5801.000.22	1


Guidance post - 5802



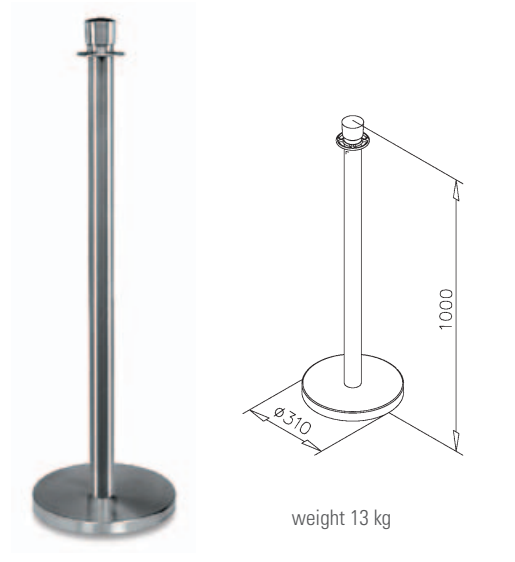
Stainless steel design	Chrome design	Brass design	
Art.no.	Art.no.	Art.no.	
12.5802.000.12	12.5802.000.10	11.5802.000.22	1


Guidance post - 5810



Stainless steel design	Chrome design	Brass design	
Art.no.	Art.no.	Art.no.	
12.5810.000.12	12.5810.000.10	11.5810.000.22	1

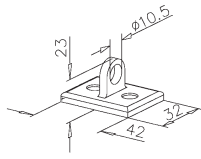
Guidance post - 5811



Stainless steel design	Chrome design	Brass design	
Art.no.	Art.no.	Art.no.	
12.5811.000.12	12.5811.000.10	11.5811.000.22	1

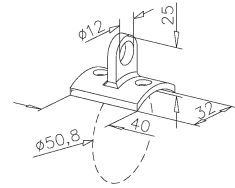


Wall plate - 5737



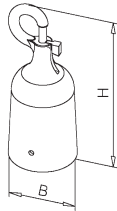
Stainless steel design	Chrome design	Brass design	
Art.no.	Art.no.	Art.no.	
12.5737.000.12	12.5737.000.10	11.5737.000.22	2

Tube plate - 5738



Stainless steel design	Chrome design	Brass design	
Art.no.	Art.no.	Art.no.	
12.5738.050.12	12.5738.050.10	11.5738.050.22	2

Rope snap end - 5713



	Stainless steel design	Chrome design	Brass design	B	H	
Ø	Art.no.	Art.no.	Art.no.			
30 mm	12.5713.030.12	12.5713.030.10	11.5713.030.22	35	115	2
40 mm	12.5713.040.12	12.5713.040.10	11.5713.040.22	43	120	2

Poly-hemp rope - 585



incl. 2 rope snap ends
L 1500 mm
other lengths possible

Ø	Colour	Stainless steel design	Chrome design	Brass design	
		Art.no.	Art.no.	Art.no.	
30 mm	nature	12.5850.030.12	12.5850.030.10	11.5850.030.22	1
40 mm	nature	12.5850.040.12	12.5850.040.10	11.5850.040.22	1
40 mm	bordeaux red	12.5853.040.12	12.5853.040.10	11.5853.040.22	1
40 mm	blue	12.5855.040.12	12.5855.040.10	11.5855.040.22	1

Velour rope - 586

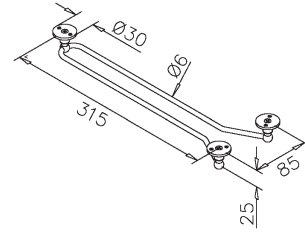
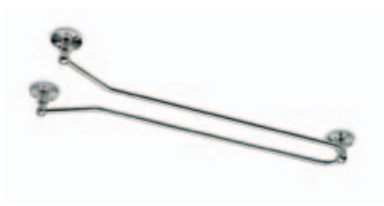


incl. 2 rope snap ends
L 1500 mm
other lengths possible

Ø	Colour	Stainless steel design	Chrome design	Brass design	
		Art.no.	Art.no.	Art.no.	
40 mm	blue	12.5860.040.12	12.5860.040.10	11.5860.040.22	1
40 mm	green	12.5861.040.12	12.5861.040.10	11.5861.040.22	1
40 mm	red	12.5862.040.12	12.5862.040.10	11.5862.040.22	1
40 mm	black	12.5863.040.12	12.5863.040.10	11.5863.040.22	1

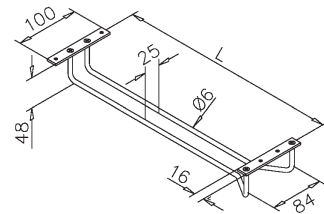
Glass racks


Glass rack - 874



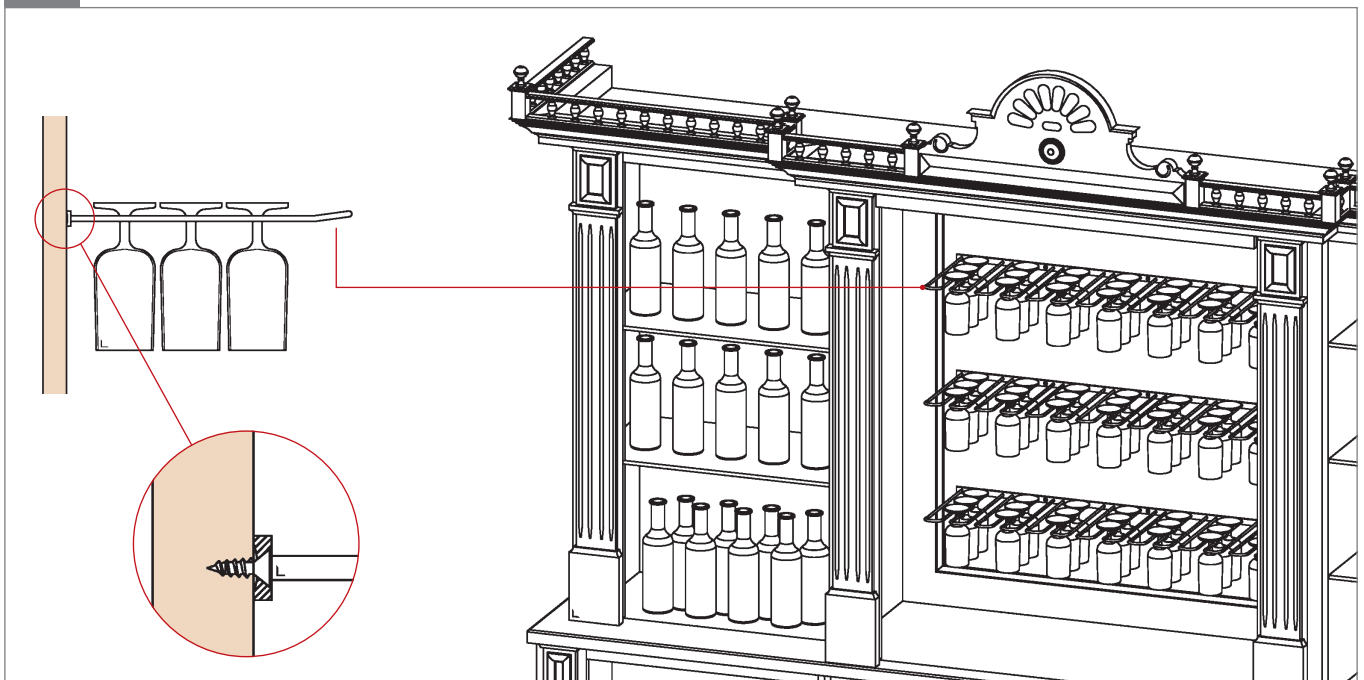
L	Stainless steel design Art.no.	Chrome design Art.no.	Brass design Art.no.	
315 mm	12.0874.315.12	12.0874.315.10	11.0874.315.22	2

Glass rack - 873

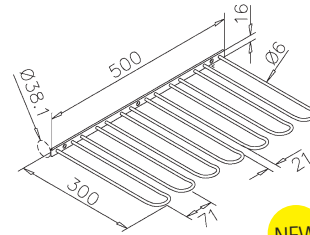


L	Stainless steel design Art.no.	Chrome design Art.no.	Brass design Art.no.	
300 mm	12.0873.300.12	12.0873.300.10	11.0873.300.22	2
350 mm	12.0873.350.12	12.0873.350.10	11.0873.350.22	2
400 mm	12.0873.400.12	12.0873.400.10	11.0873.400.22	2
450 mm	12.0873.450.12	12.0873.450.10	11.0873.450.22	2

INFO 11/12.0875...



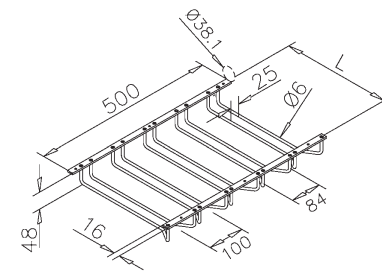
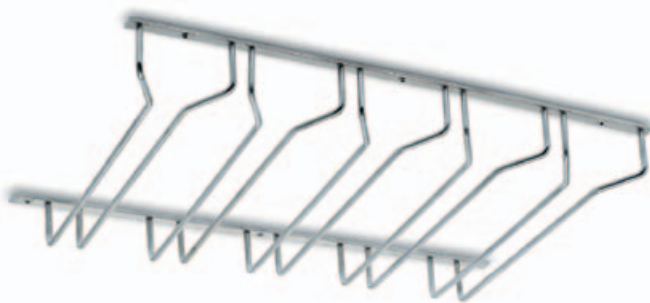
Glass rack - 875



NEW

L	Ø	Stainless steel design Art.no.	Chrome design Art.no.	Brass design Art.no.	Anthracite design Art.no.	
300 mm	38,1 mm (1,5")	12.0875.300.12	12.0875.300.10	11.0875.300.22	11.0875.300.26	2

Glass rack - 876

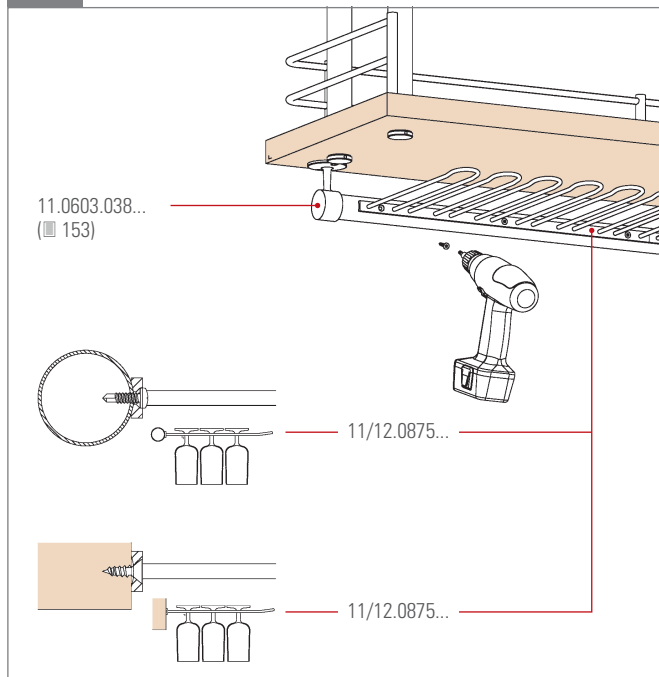


NEW

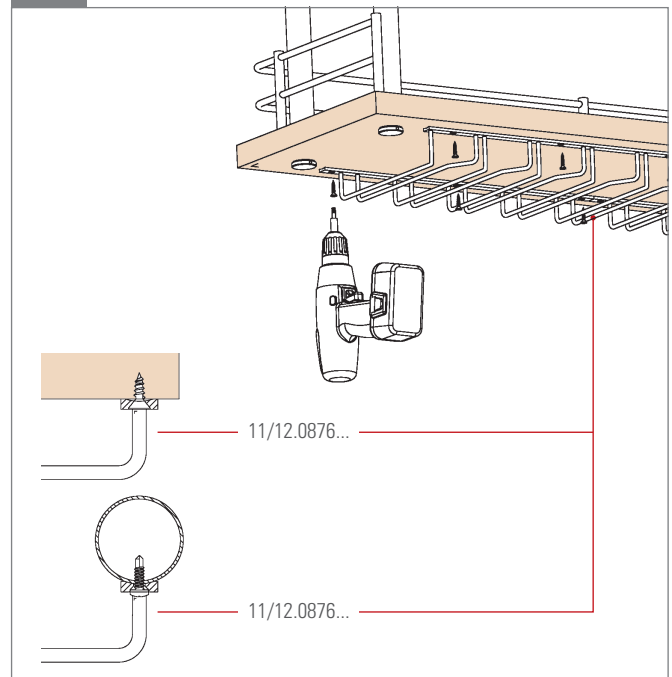
L	Ø	Stainless steel design Art.no.	Chrome design Art.no.	Brass design Art.no.	Anthracite design Art.no.	
300 mm	38,1 mm (1,5")	12.0876.300.12	12.0876.300.10	11.0876.300.22	11.0876.300.26	2
350 mm	38,1 mm (1,5")	12.0876.350.12	12.0876.350.10	11.0876.350.22	11.0876.350.26	2
400 mm	38,1 mm (1,5")	12.0876.400.12	12.0876.400.10	11.0876.400.22	11.0876.400.26	2
450 mm	38,1 mm (1,5")	12.0876.450.12	12.0876.450.10	11.0876.450.22	11.0876.450.26	2

6

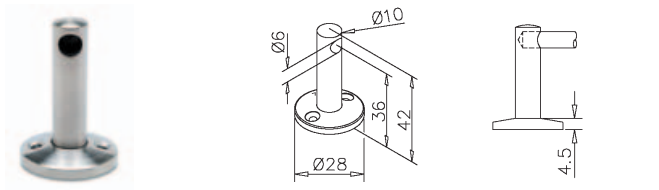
INFO 11/12.0875...



INFO 11/12.0876...

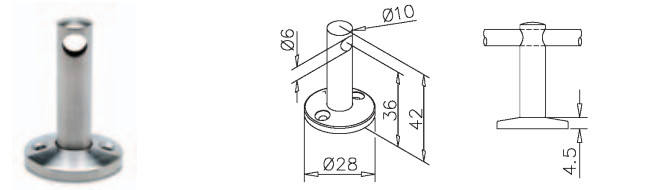


Mini rail Ø 6 mm - Mounting on wood



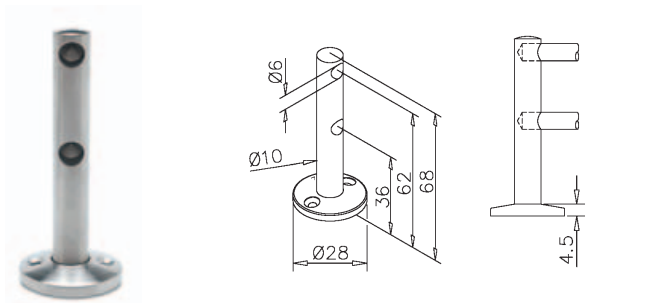
End bracket - 650 / 06

Stainless steel design	Chrome design	Brass design	
Art.no.	Art.no.	Art.no.	
11.0650.006.20	11.0650.006.23	11.0650.006.22	2



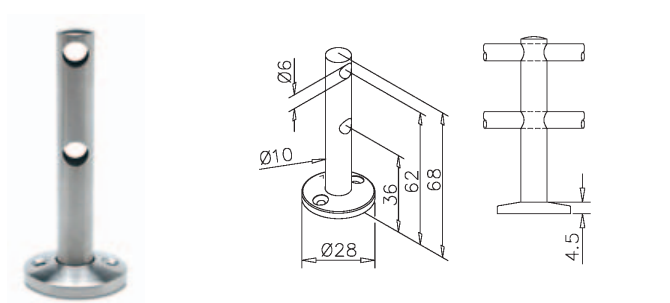
Centre bracket - 651 / 06

Stainless steel design	Chrome design	Brass design	
Art.no.	Art.no.	Art.no.	
11.0651.006.20	11.0651.006.23	11.0651.006.22	2



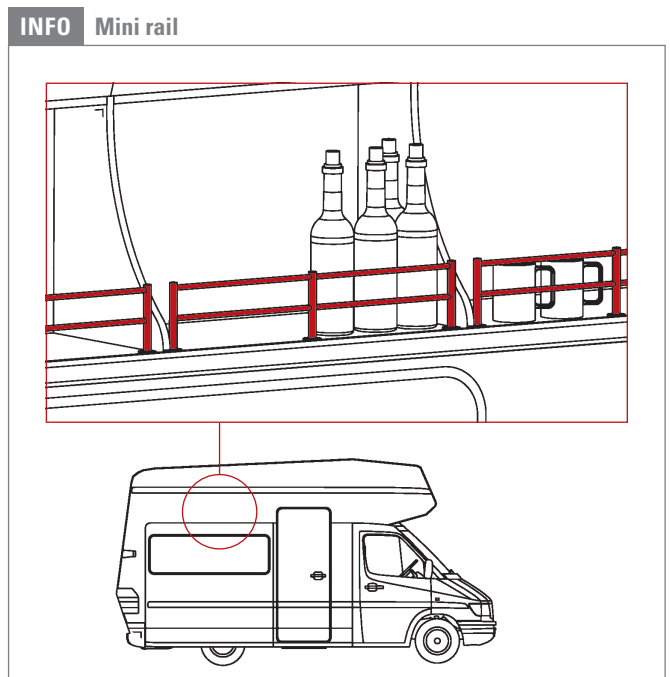
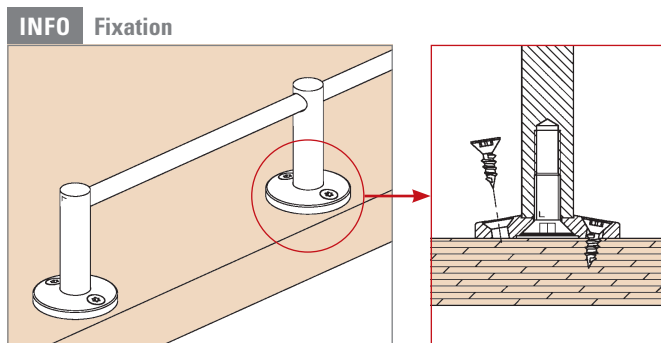
Double end bracket - 655 / 06

Stainless steel design	Chrome design	Brass design	
Art.no.	Art.no.	Art.no.	
11.0655.006.20	11.0655.006.23	11.0655.006.22	2

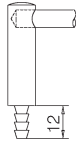
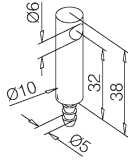


Double centre bracket - 656 / 06

Stainless steel design	Chrome design	Brass design	
Art.no.	Art.no.	Art.no.	
11.0656.006.20	11.0656.006.23	11.0656.006.22	2

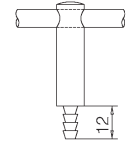
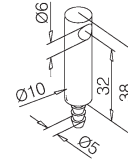


Mini rail Ø 6 mm - Mounting on wood




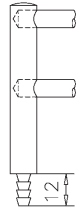
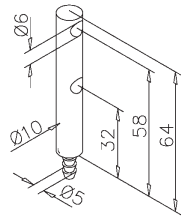
End bracket - 660 / 06

Stainless steel design	Chrome design	Brass design	
Art.no.	Art.no.	Art.no.	
11.0660.006.20	11.0660.006.23	11.0660.006.22	 10



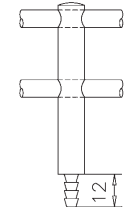
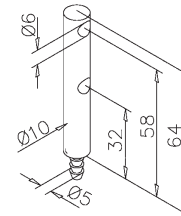
Centre bracket - 661 / 06

Stainless steel design	Chrome design	Brass design	
Art.no.	Art.no.	Art.no.	
11.0661.006.20	11.0661.006.23	11.0661.006.22	 10




Double end bracket - 665 / 06

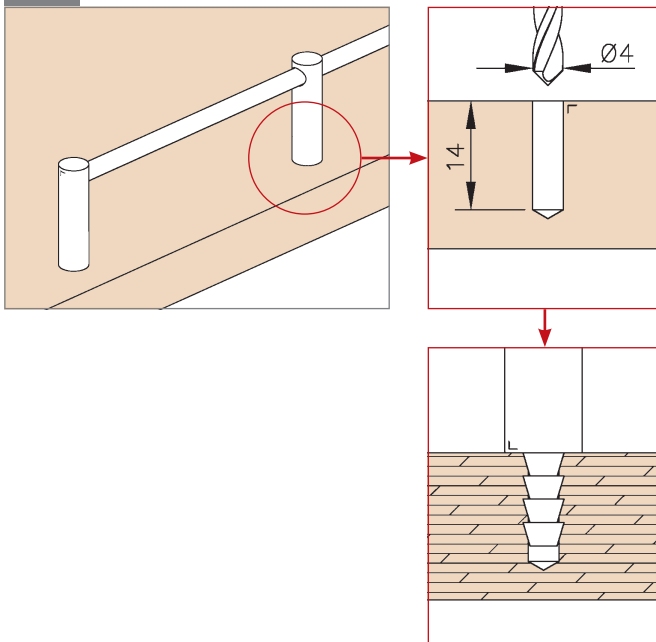
Stainless steel design	Chrome design	Brass design	
Art.no.	Art.no.	Art.no.	
11.0665.006.20	11.0665.006.23	11.0665.006.22	 10



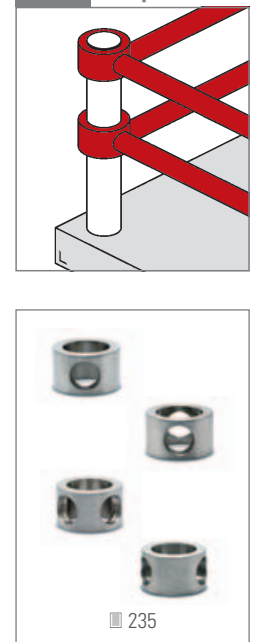
Double centre bracket - 666 / 06

Stainless steel design	Chrome design	Brass design	
Art.no.	Art.no.	Art.no.	
11.0666.006.20	11.0666.006.23	11.0666.006.22	 10

INFO Fixation

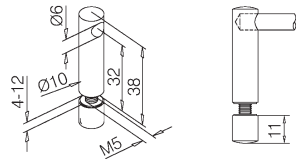


INFO Adapters



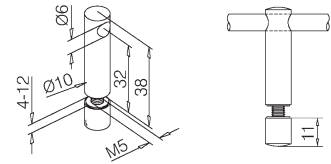
■ 235

Mini rail Ø 6 mm - Mounting on glass




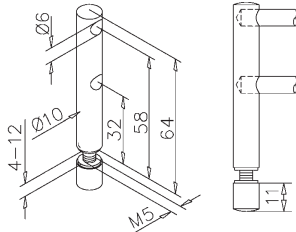
End bracket - 680 / 06

Stainless steel design	Chrome design	Brass design	
Art.no.	Art.no.	Art.no.	
11.0680.006.20	11.0680.006.23	11.0680.006.22	10 



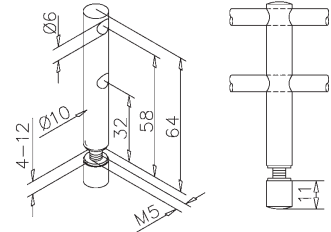
Centre bracket - 681 / 06

Stainless steel design	Chrome design	Brass design	
Art.no.	Art.no.	Art.no.	
11.0681.006.20	11.0681.006.23	11.0681.006.22	10 




Double end bracket - 685 / 06

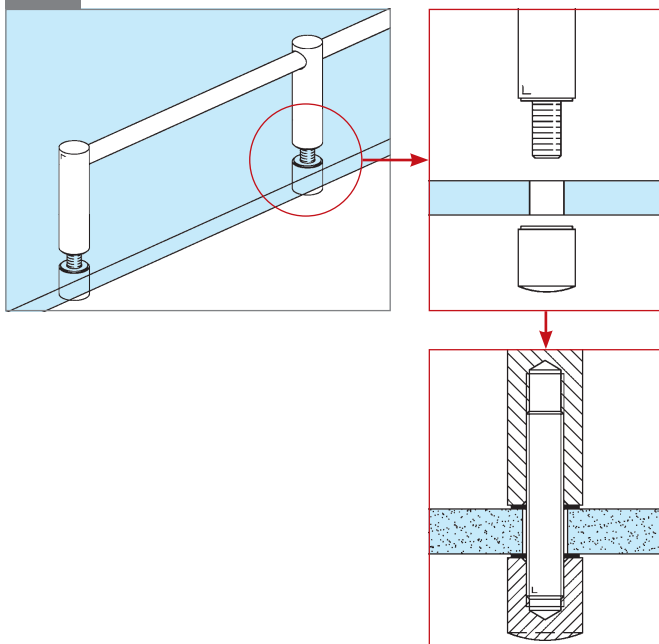
Stainless steel design	Chrome design	Brass design	
Art.no.	Art.no.	Art.no.	
11.0685.006.20	11.0685.006.23	11.0685.006.22	10 



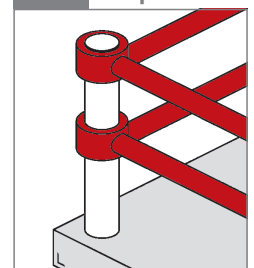
Double centre bracket - 686 / 06

Stainless steel design	Chrome design	Brass design	
Art.no.	Art.no.	Art.no.	
11.0686.006.20	11.0686.006.23	11.0686.006.22	10 

INFO Fixation

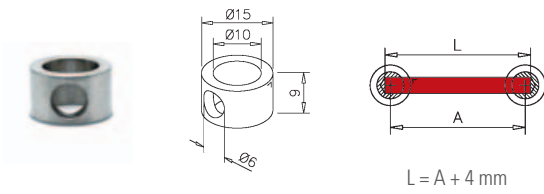


INFO Adapters




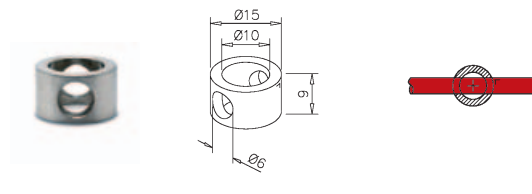
235

Mini rail Ø 6 mm - Adapters



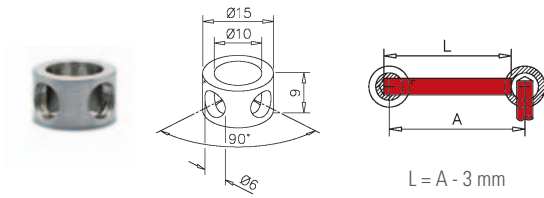
690 / 06 - for end bracket

Stainless steel design	Chrome design	Brass design	
Art.no.	Art.no.	Art.no.	
12.0690.006.12	12.0690.006.10	11.0690.006.22	16 




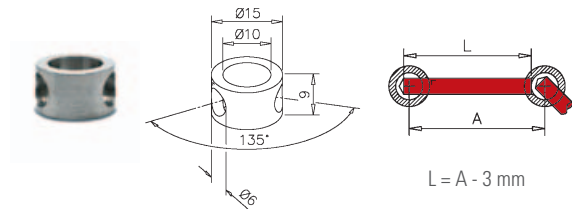
691 / 06 - for centre bracket

Stainless steel design	Chrome design	Brass design	
Art.no.	Art.no.	Art.no.	
12.0691.006.12	12.0691.006.10	11.0691.006.22	16 




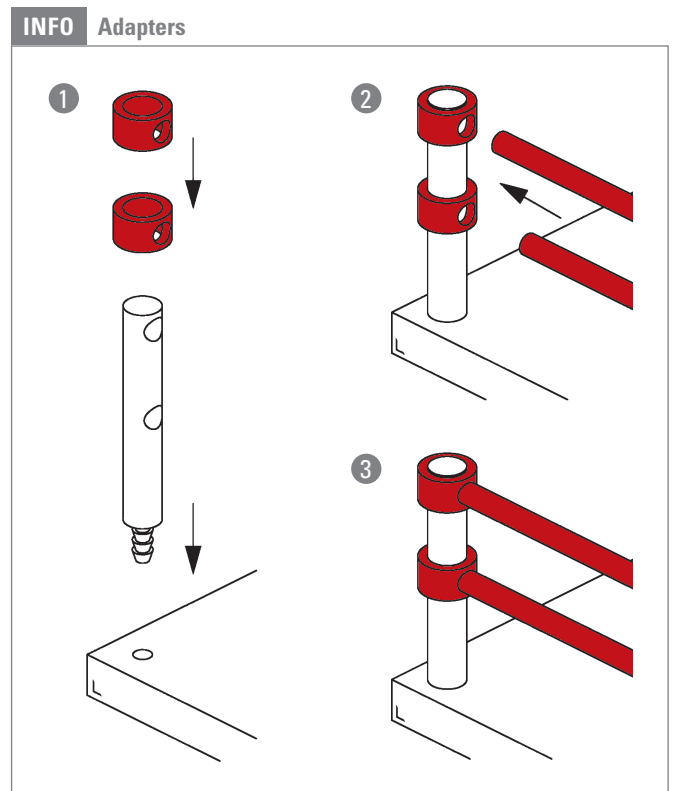
692 / 06 - for elbow bracket 90°

Stainless steel design	Chrome design	Brass design	
Art.no.	Art.no.	Art.no.	
12.0692.006.12	12.0692.006.10	11.0692.006.22	16 

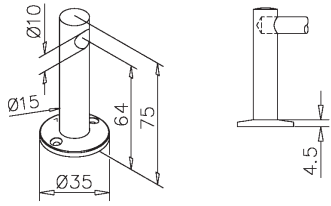


693 / 06 - for elbow bracket 45°

Stainless steel design	Chrome design	Brass design	
Art.no.	Art.no.	Art.no.	
12.0693.006.12	12.0693.006.10	11.0693.006.22	16 

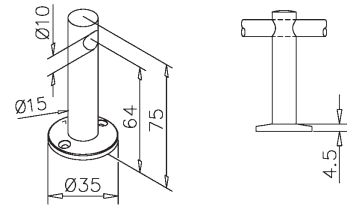


Mini rail Ø 10 mm - Mounting on wood




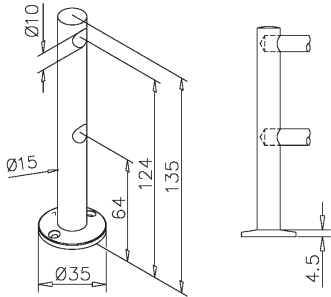
End bracket - 650 / 10

Stainless steel design	Chrome design	Brass design	
Art.no.	Art.no.	Art.no.	
11.0650.010.20	11.0650.010.23	11.0650.010.22	2 




Centre bracket - 651 / 10

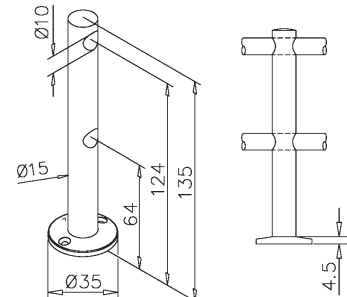
Stainless steel design	Chrome design	Brass design	
Art.no.	Art.no.	Art.no.	
11.0651.010.20	11.0651.010.23	11.0651.010.22	2 



Double end bracket - 655 / 10


NEW

Stainless steel design	Chrome design	Brass design	Anthracite design	
Art.no.	Art.no.	Art.no.	Art.no.	
11.0655.010.20	11.0655.010.23	11.0655.010.22	11.0655.010.26	2 

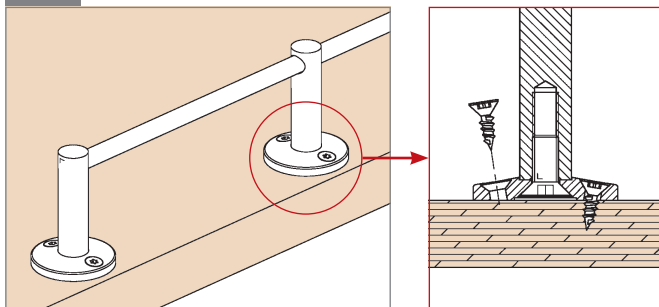


Double centre bracket - 656 / 10

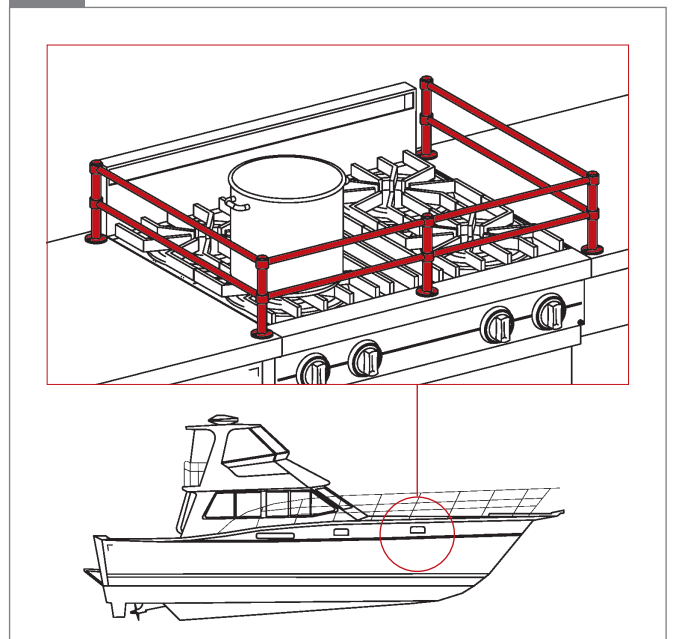
NEW

Stainless steel design	Chrome design	Brass design	Anthracite design	
Art.no.	Art.no.	Art.no.	Art.no.	
11.0656.010.20	11.0656.010.23	11.0656.010.22	11.0656.010.26	2 

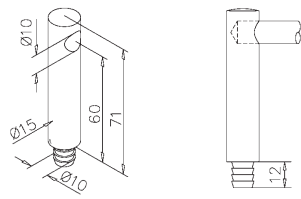
INFO Fixation




INFO Mini rail

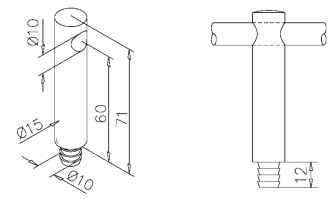


Mini rail Ø 10 mm - Mounting on wood



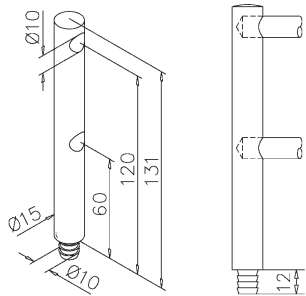
End bracket - 660 / 10

Stainless steel design	Chrome design	Brass design	
Art.no.	Art.no.	Art.no.	
11.0660.010.20	11.0660.010.23	11.0660.010.22	10




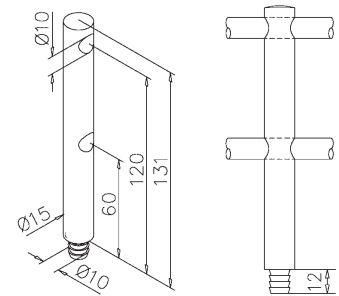
Centre bracket - 661 / 10

Stainless steel design	Chrome design	Brass design	
Art.no.	Art.no.	Art.no.	
11.0661.010.20	11.0661.010.23	11.0661.010.22	10




Double end bracket - 665 / 10

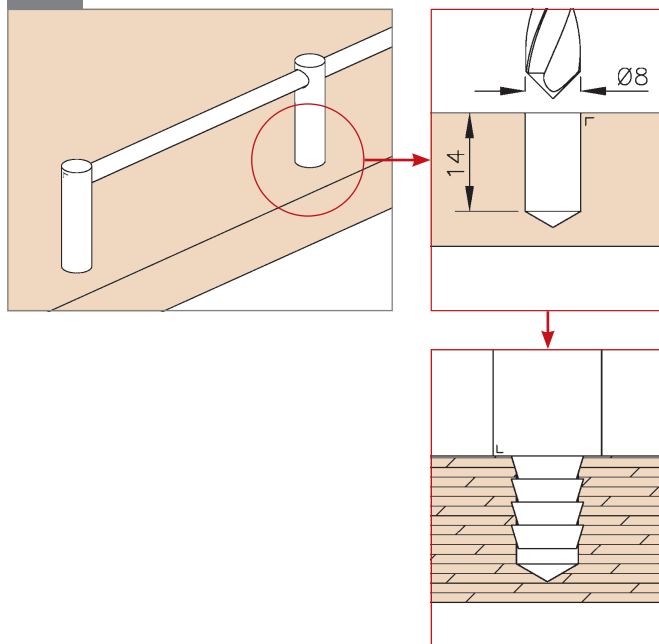
Stainless steel design	Chrome design	Brass design	
Art.no.	Art.no.	Art.no.	
11.0665.010.20	11.0665.010.23	11.0665.010.22	10



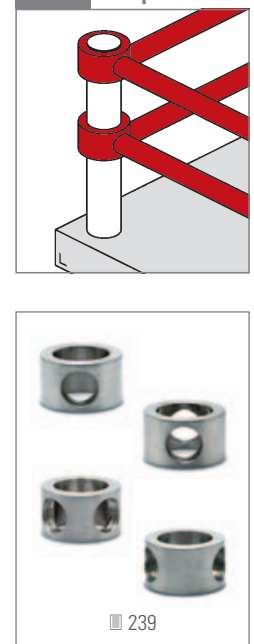
Double centre bracket - 666 / 10

Stainless steel design	Chrome design	Brass design	
Art.no.	Art.no.	Art.no.	
11.0666.010.20	11.0666.010.23	11.0666.010.22	10

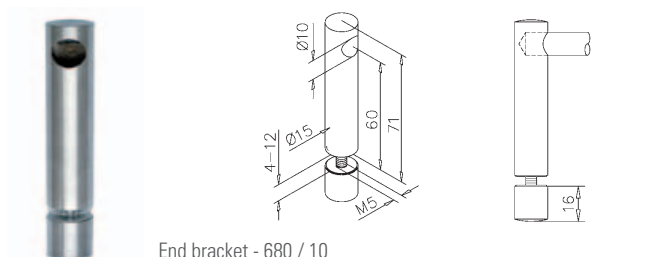
INFO Fixation




INFO Adapters

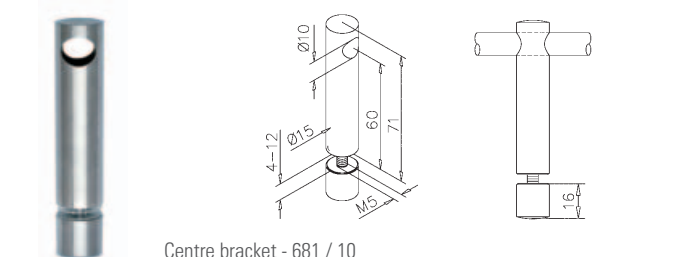


Mini rail Ø 10 mm - Mounting on glass




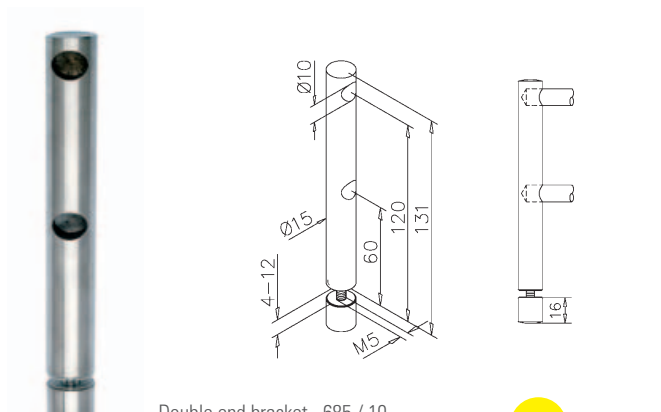
End bracket - 680 / 10

Stainless steel design	Chrome design	Brass design	
Art.no.	Art.no.	Art.no.	
11.0680.010.20	11.0680.010.23	11.0680.010.22	10




Centre bracket - 681 / 10

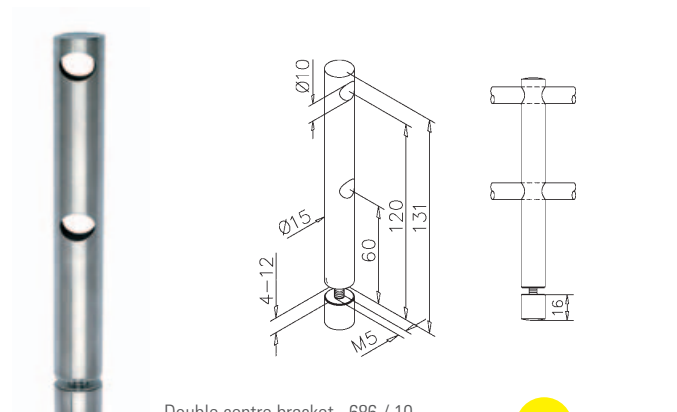
Stainless steel design	Chrome design	Brass design	
Art.no.	Art.no.	Art.no.	
11.0681.010.20	11.0681.010.23	11.0681.010.22	10



Double end bracket - 685 / 10


NEW

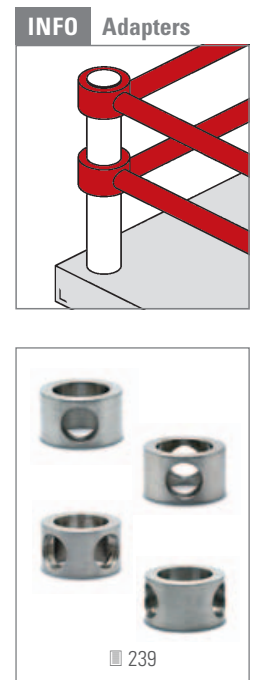
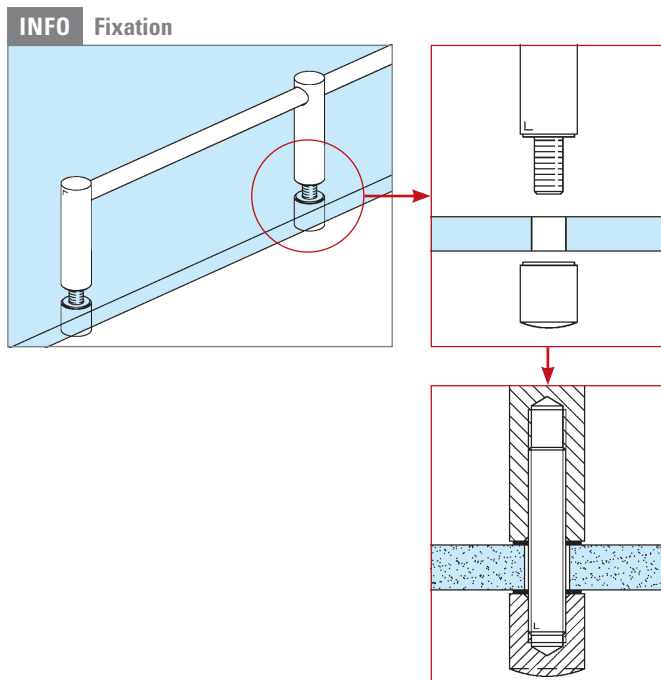
Stainless steel design	Chrome design	Brass design	Anthracite design	
Art.no.	Art.no.	Art.no.	Art.no.	
11.0685.010.20	11.0685.010.23	11.0685.010.22	11.0685.010.26	10



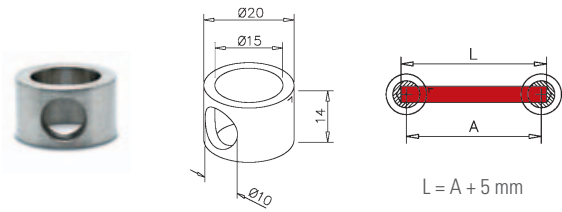
Double centre bracket - 686 / 10

NEW

Stainless steel design	Chrome design	Brass design	Anthracite design	
Art.no.	Art.no.	Art.no.	Art.no.	
11.0686.010.20	11.0686.010.23	11.0686.010.22	11.0686.010.26	10



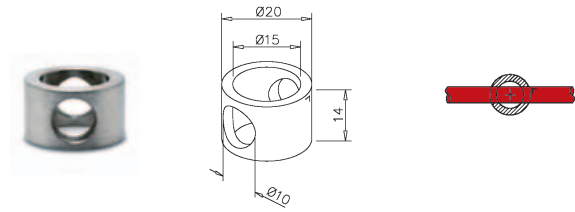
Mini rail Ø 10 mm - Adapters



690 / 10 - for end bracket

NEW

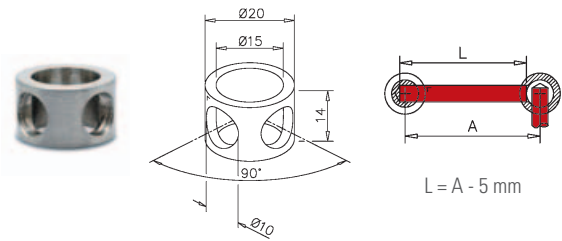
Stainless steel design	Chrome design	Brass design	Anthracite design	
Art.no.	Art.no.	Art.no.	Art.no.	
12.0690.010.12	12.0690.010.10	11.0690.010.22	11.0690.010.26	16



691 / 10 - for centre bracket

NEW

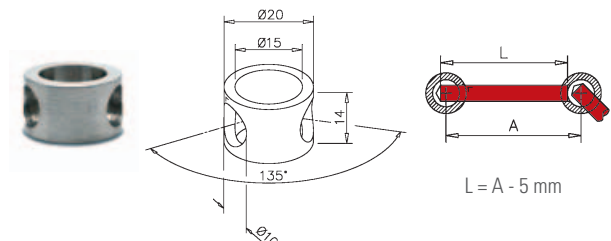
Stainless steel design	Chrome design	Brass design	Anthracite design	
Art.no.	Art.no.	Art.no.	Art.no.	
12.0691.010.12	12.0691.010.10	11.0691.010.22	11.0691.010.26	16



692 / 10 - for elbow bracket 90°

NEW

Stainless steel design	Chrome design	Brass design	Anthracite design	
Art.no.	Art.no.	Art.no.	Art.no.	
12.0692.010.12	12.0692.010.10	11.0692.010.22	11.0692.010.26	16



693 / 10 - for elbow bracket 45°

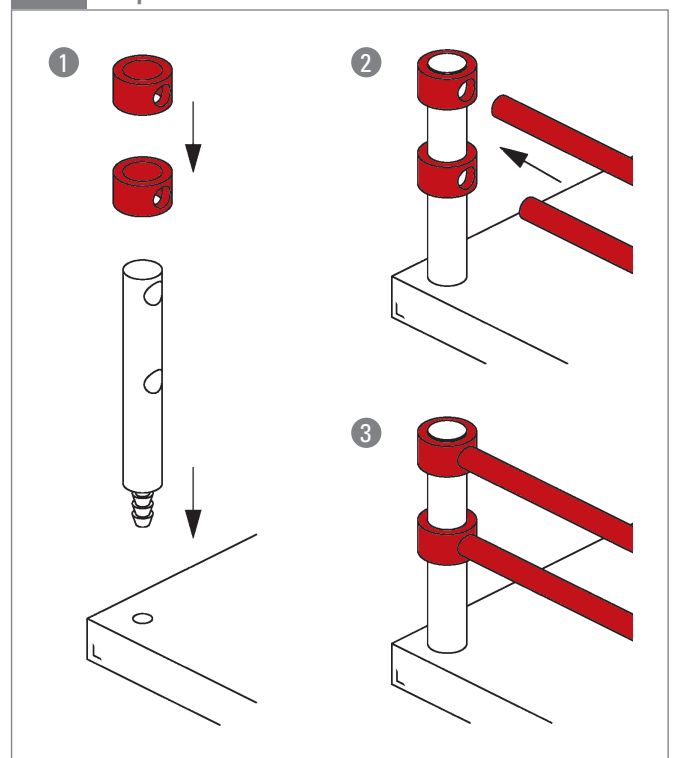
NEW

Stainless steel design	Chrome design	Brass design	Anthracite design	
Art.no.	Art.no.	Art.no.	Art.no.	
12.0693.010.12	12.0693.010.10	11.0693.010.22	11.0693.010.26	16


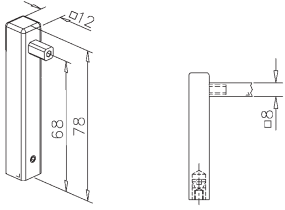
NEW Anthracite design




INFO Adapters



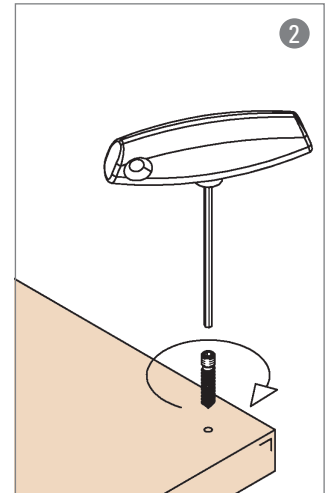
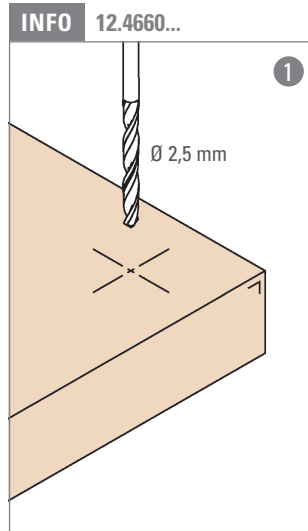

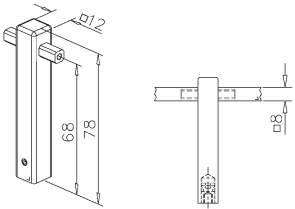
Mini rail □ 8 x 8 mm - Mounting on wood


End bracket - 4660 / 08
Stainless steel design

Art.no.  4

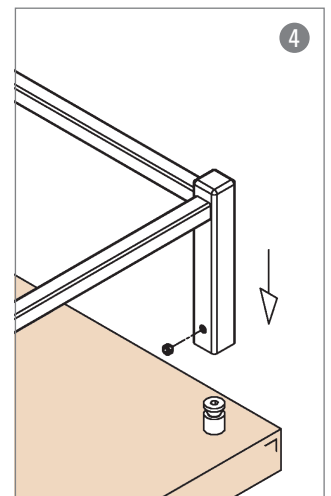
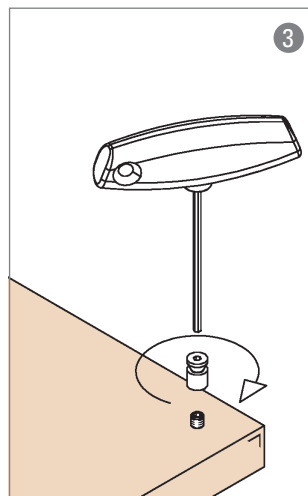

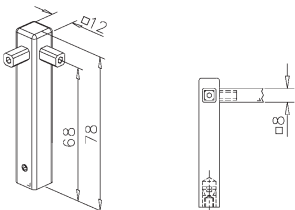
12.4660.008.12


Centre bracket - 4661 / 08
Stainless steel design

Art.no.  4

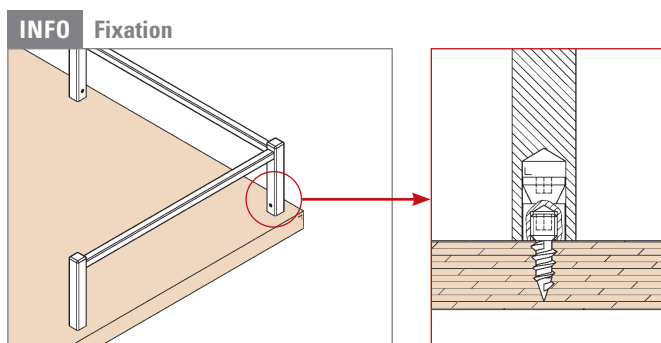
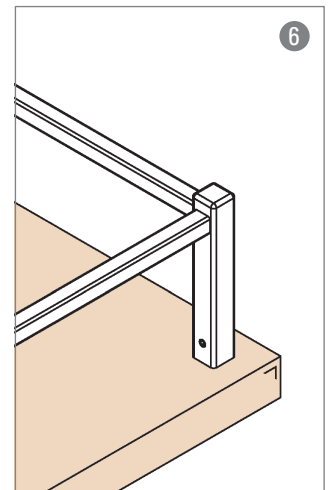
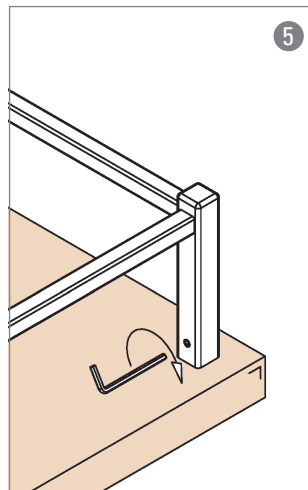
12.4661.008.12

Elbow bracket 90° - 4662 / 08
Stainless steel design


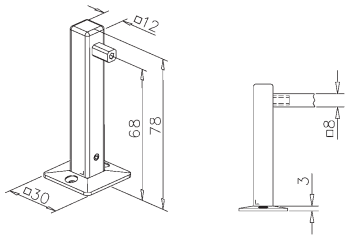
Art.no.  4

12.4662.008.12




Mini rail □ 8 x 8 mm - Mounting on wood


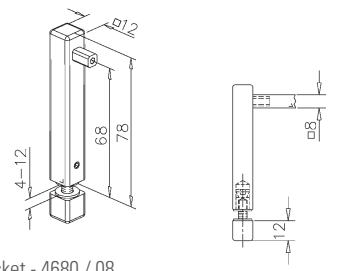
Mini rail □ 8 x 8 mm - Mounting on glass


End bracket - 4650 / 08
Stainless steel design

Art.no.  4


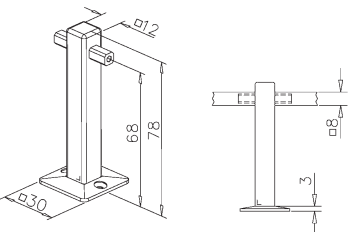
12.4650.008.12


End bracket - 4680 / 08
Stainless steel design

Art.no.  4


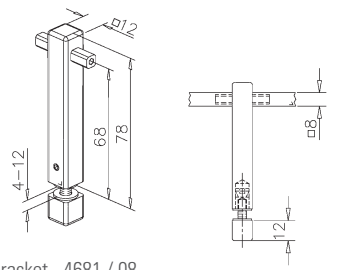
12.4680.008.12


Centre bracket - 4651 / 08
Stainless steel design

Art.no.  4

12.4651.008.12

Centre bracket - 4681 / 08
Stainless steel design

Art.no.  4


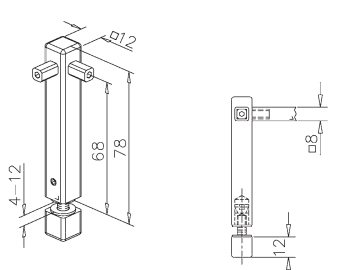
12.4681.008.12





Elbow bracket 90° - 4652 / 08
Stainless steel design

Art.no.  4

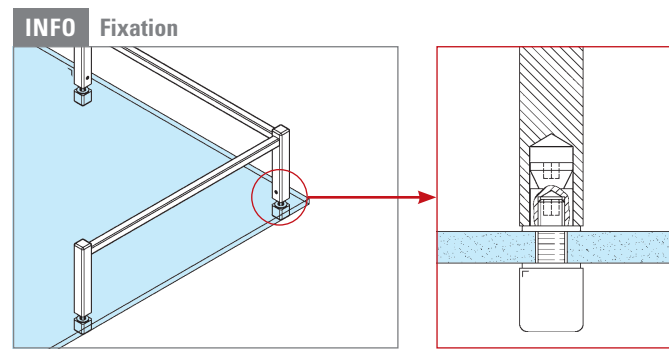
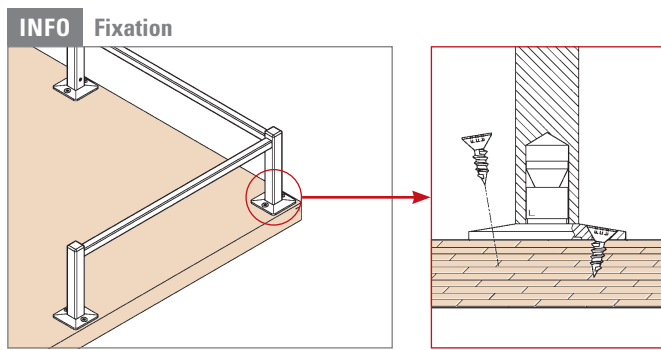
12.4652.008.12

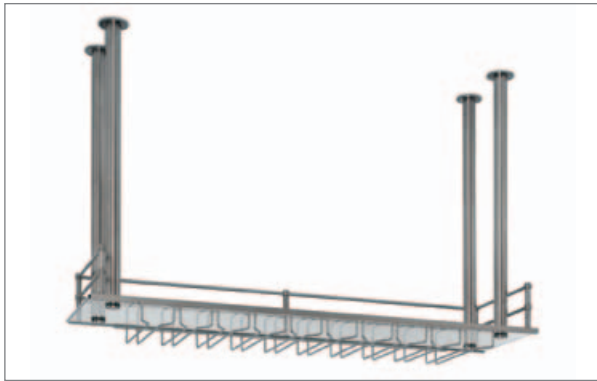
Elbow bracket 90° - 4682 / 08
Stainless steel design

Art.no.  4

12.4682.008.12

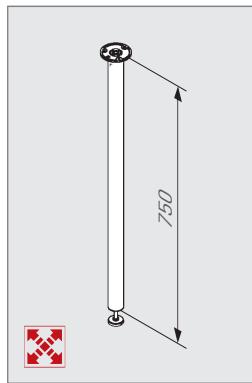


Bottle shelf - 410



Stainless steel design / Chrome design
 Ø 25,4 mm / Ø 38,1 mm

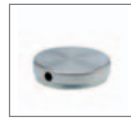
410 - 1



Ø	Art.no.	Stainless steel design	Chrome design
		Art.no.	Art.no.
25,4 mm (1")	20.4101.025...	...20	...23
38,1 mm (1,5")	20.4101.038...	...20	...23



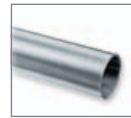
1 x
 11.0504...
 (■ 282)



1 x
 11.0731...
 (■ 290)



1 x
 18.0105...
 (■ 293)

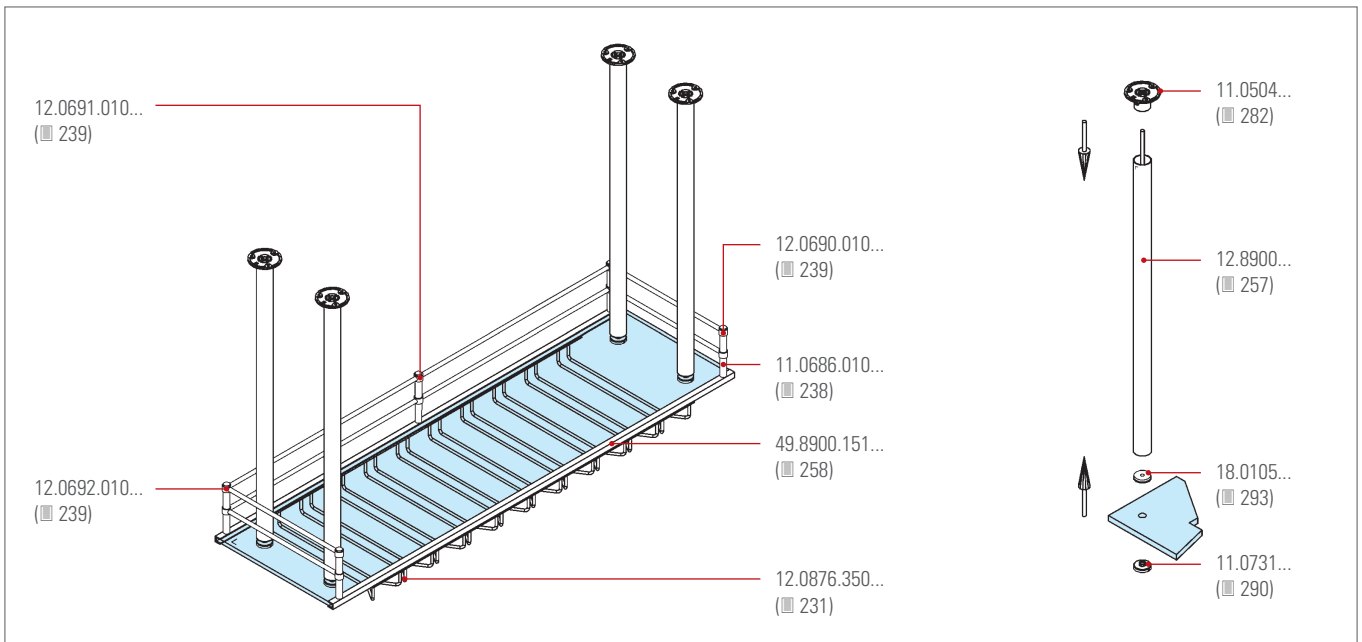


1 x
 12.8900...
 (■ 257)



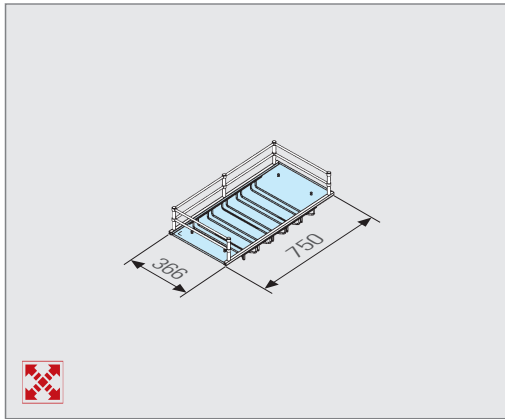
1 x
 93.8800.820.15
 (■ 301)

6






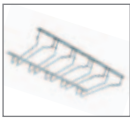
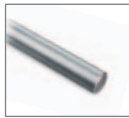
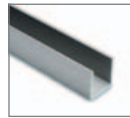



⇨ production according to order
 ⇨ other dimensions possible

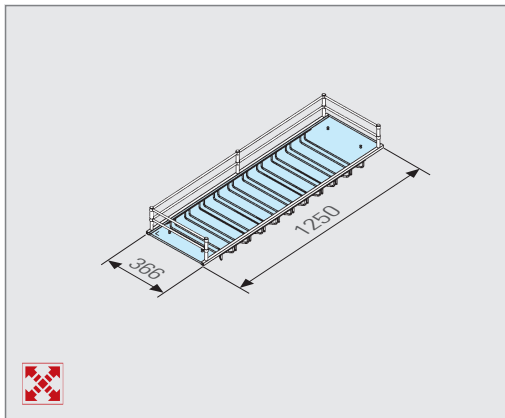
410 - 6









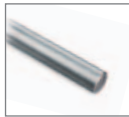
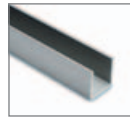

Ø	Art.no.	Stainless steel design	Chrome design		
		Art.no.	Art.no.		
25,4 mm (1")	20.4106.025...	...20	...23		
38,1 mm (1,5")	20.4106.038...	...20	...23		

					
4 x 11.0685.010... (■ 238)	1 x 11.0686.010... (■ 238)	4 x 12.0690.010... (■ 239)	4 x 12.0692.010... (■ 239)	2 x 12.0691.010... (■ 239)	
					
1 x 12.0876.350... (■ 231)	6 x 12.8900.010... (■ 257)	2 x 49.8900.151... (■ 258)	1 x 48.1000.008.00 (■ 297)		

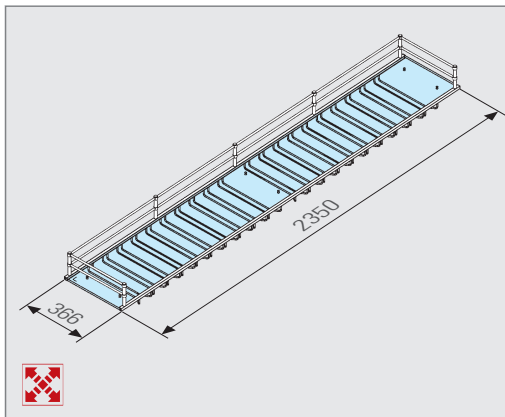
410 - 7



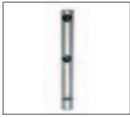




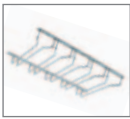
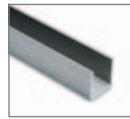

Ø	Art.no.	Stainless steel design	Chrome design		
		Art.no.	Art.no.		
25,4 mm (1")	20.4107.025...	...20	...23		
38,1 mm (1,5")	20.4107.038...	...20	...23		

					
4 x 11.0685.010... (■ 238)	1 x 11.0686.010... (■ 238)	4 x 12.0690.010... (■ 239)	4 x 12.0692.010... (■ 239)	2 x 12.0691.010... (■ 239)	
					
2 x 12.0876.350... (■ 231)	6 x 12.8900.010... (■ 257)	2 x 49.8900.151... (■ 258)	1 x 48.1000.008.00 (■ 297)		

410 - 8

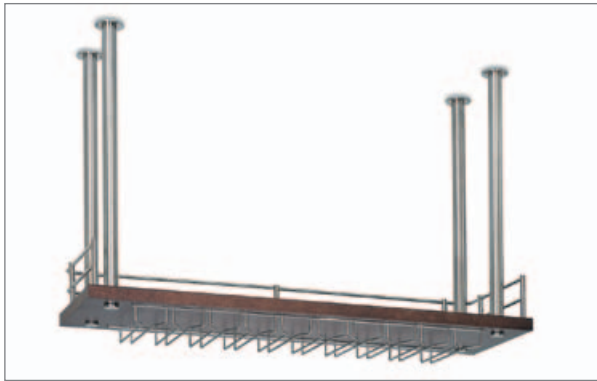


Ø	Art.no.	Stainless steel design	Chrome design		
		Art.no.	Art.no.		
25,4 mm (1")	20.4108.025...	...20	...23		
38,1 mm (1,5")	20.4108.038...	...20	...23		

					
4 x 11.0685.010... (■ 238)	3 x 11.0686.010... (■ 238)	4 x 12.0690.010... (■ 239)	4 x 12.0692.010... (■ 239)	6 x 12.0691.010... (■ 239)	
					
4 x 12.0876.350... (■ 231)	6 x 12.8900.010... (■ 257)	2 x 49.8900.151... (■ 258)	1 x 48.1000.008.00 (■ 297)		

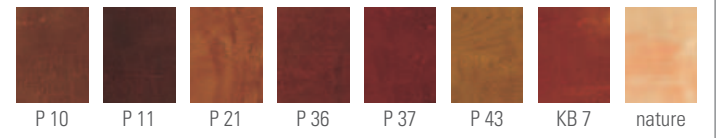
6

Bottle shelf - 432

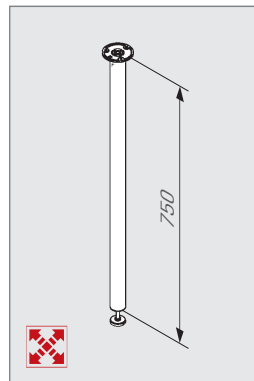


Stainless steel design / Chrome design / Brass design
 Ø 25,4 mm / Ø 38,1 mm

INFO Stain colours



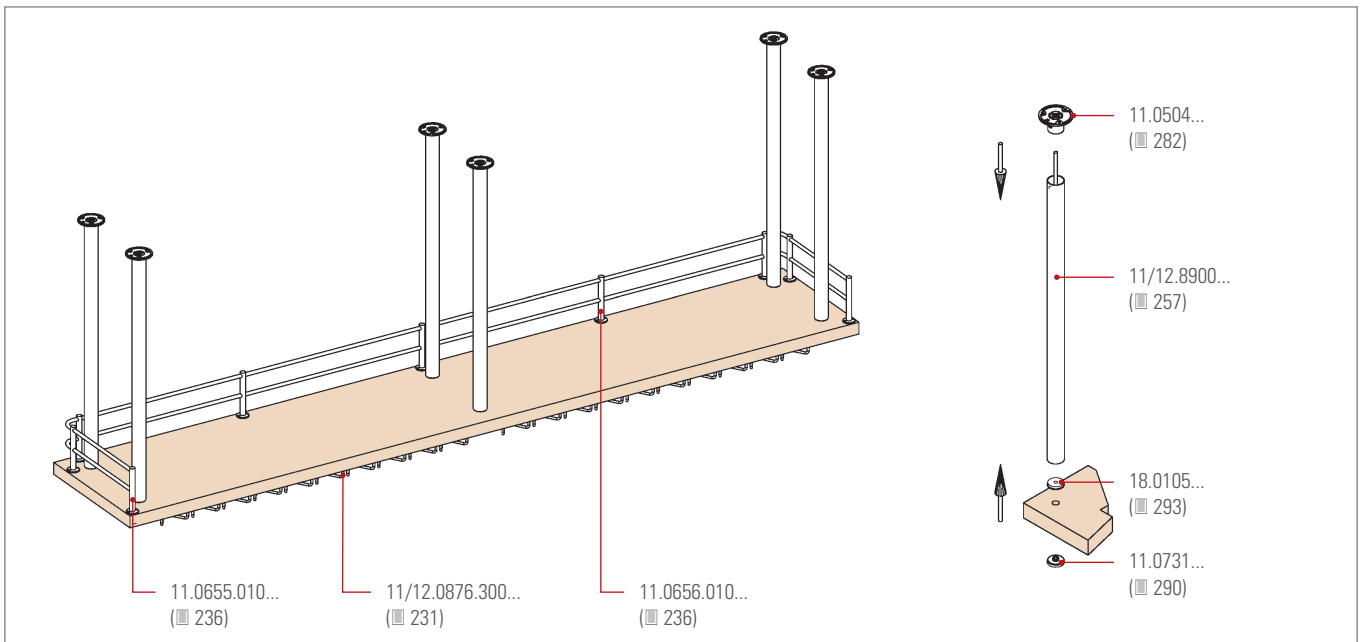
432 - 1



Ø	Art.no.	Stainless steel design Art.no.	Chrome design Art.no.	Brass design Art.no.
25,4 mm (1")	20.4321.025...	...20	...23	...22
38,1 mm (1,5")	20.4321.038...	...20	...23	...22

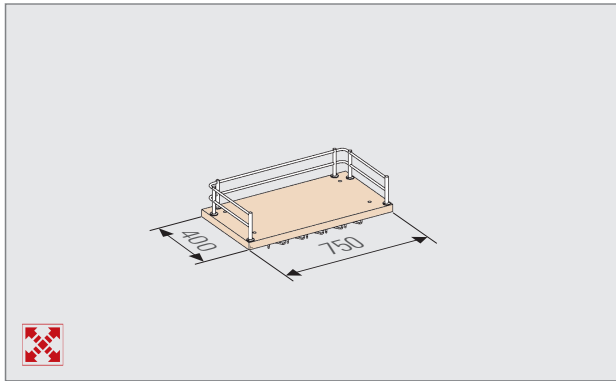
1 x 11.0504... (■ 282)	1 x 11.0731... (■ 290)	1 x 18.0105... (■ 293)	1 x 11/12.8900... (■ 257)	1 x 93.8800.820.15 (■ 301)

6



⇨ production according to order
 ⇨ other dimensions possible

432 - 6



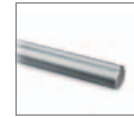
Ø	Art.no.	Stainless steel design	Chrome design	Brass design
		Art.no.	Art.no.	Art.no.
25,4 mm (1")	20.4326.025...	...20	...23	...22
38,1 mm (1,5")	20.4326.038...	...20	...23	...22



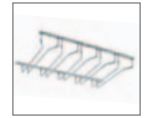
2 x
11.0655.010...
(■ 236)



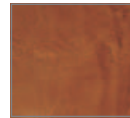
4 x
11.0656.010...
(■ 236)



2 x
11/12.8900.010...
(■ 257)

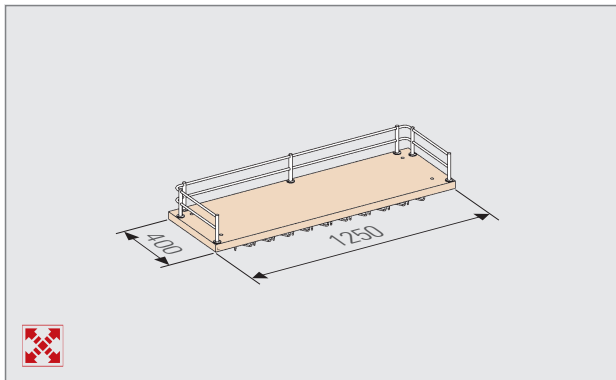


1 x
11/12.0876.300...
(■ 231)



1 x
wooden plate
75 x 40 x 4 cm

432 - 7



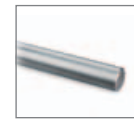
Ø	Art.no.	Stainless steel design	Chrome design	Brass design
		Art.no.	Art.no.	Art.no.
25,4 mm (1")	20.4327.025...	...20	...23	...22
38,1 mm (1,5")	20.4327.038...	...20	...23	...22



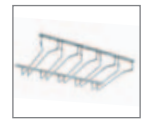
2 x
11.0655.010...
(■ 236)



5 x
11.0656.010...
(■ 236)



4 x
11/12.8900.010...
(■ 257)

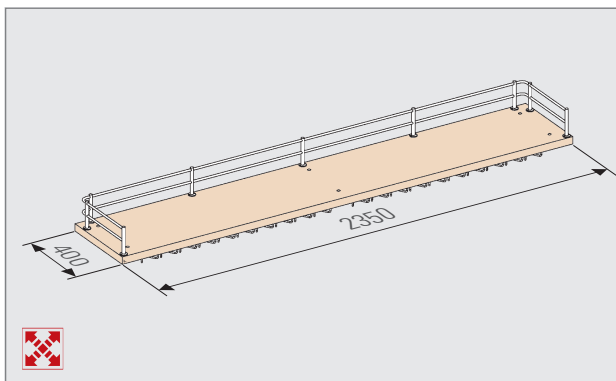


2 x
11/12.0876.300...
(■ 231)



1 x
wooden plate
125 x 40 x 4 cm

432 - 8



Ø	Art.no.	Stainless steel design	Chrome design	Brass design
		Art.no.	Art.no.	Art.no.
25,4 mm (1")	20.4328.025...	...20	...23	...22
38,1 mm (1,5")	20.4328.038...	...20	...23	...22



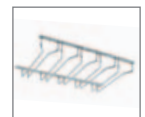
2 x
11.0655.010...
(■ 236)



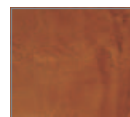
7 x
11.0656.010...
(■ 236)



4 x
11/12.8900.010...
(■ 257)

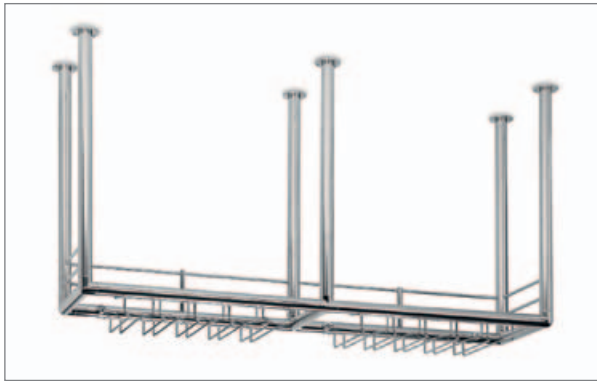


4 x
11/12.0876.300...
(■ 231)



1 x
wooden plate
235 x 40 x 4 cm

Bottle shelf - 430



Stainless steel design / Chrome design / Brass design / Anthracite design
 Ø 25,4 mm / Ø 38,1 mm

INFO optional

for Ø 38,1 mm (1,5"):
 11/12.0991.038... (■ 220)

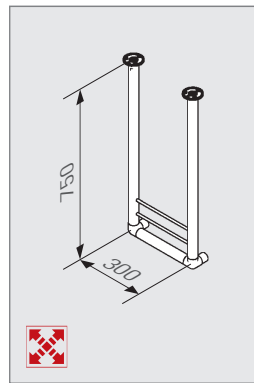
INFO optional

Toughened glass / Laminated glass


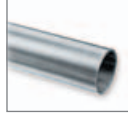
(■ 297)

NEW

430 - 1

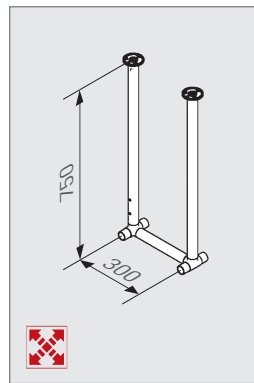


		Stainless steel design	Chrome design	Brass design	Anthracite design
Ø	Art.no.	Art.no.	Art.no.	Art.no.	Art.no.
25,4 mm (1")	20.4301.025...	...20	...23	...22	
38,1 mm (1,5")	20.4301.038...	...20	...23	...22	...26


				
2 x 11.0504... (■ 282)	2 x 11.0304... (■ 273)	3 x 11/12.8900... (■ 257)	2 x 93.8800.820.15 (■ 301)	2 x 11/12.8900.010... (■ 257)

NEW

430 - 2

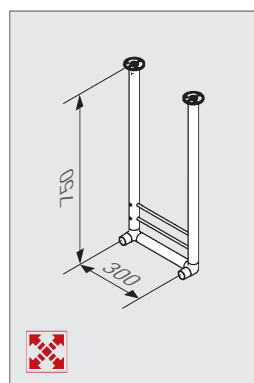


		Stainless steel design	Chrome design	Brass design	Anthracite design
Ø	Art.no.	Art.no.	Art.no.	Art.no.	Art.no.
25,4 mm (1")	20.4302.025...	...20	...23	...22	
38,1 mm (1,5")	20.4302.038...	...20	...23	...22	...26

				
2 x 11.0504... (■ 282)	2 x 11.0308... (■ 274)	3 x 11/12.8900... (■ 257)	2 x 93.8800.820.15 (■ 301)	

NEW

430 - 3

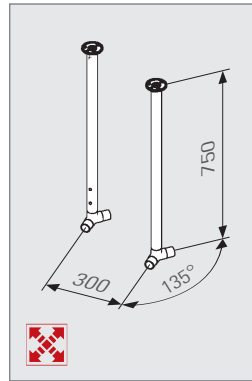


		Stainless steel design	Chrome design	Brass design	Anthracite design
Ø	Art.no.	Art.no.	Art.no.	Art.no.	Art.no.
25,4 mm (1")	20.4303.025...	...20	...23	...22	
38,1 mm (1,5")	20.4303.038...	...20	...23	...22	...26

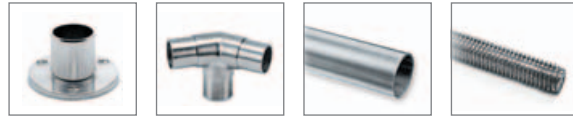
				
2 x 11.0504... (■ 282)	2 x 11.0304... (■ 273)	3 x 11/12.8900... (■ 257)	2 x 93.8800.820.15 (■ 301)	2 x 11/12.8900.010... (■ 257)

↗ production according to order
 ↘ other dimensions possible

430 - 4

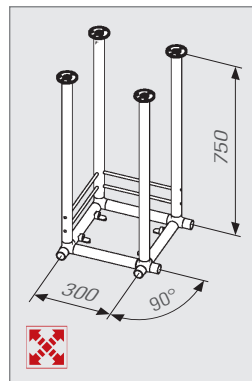


Ø	Art.no.	Stainless steel design	Chrome design	Brass design
		Art.no.	Art.no.	Art.no.
25,4 mm (1")	20.4304.025...	...20	...23	...22
38,1 mm (1,5")	20.4304.038...	...20	...23	...22



2 x 11.0504... (■ 282)	2 x 11.0315... (■ 275)	2 x 11/12.8900... (■ 257)	2 x 93.8800.820.15 (■ 301)
------------------------------	------------------------------	---------------------------------	----------------------------------

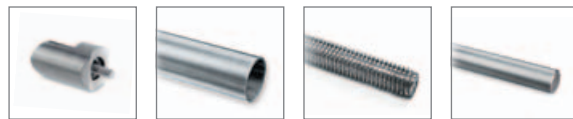
430 - 5



Ø	Art.no.	Stainless steel design	Chrome design	Brass design
		Art.no.	Art.no.	Art.no.
25,4 mm (1")	20.4305.025...	...20	...23	...22
38,1 mm (1,5")	20.4305.038...	...20	...23	...22

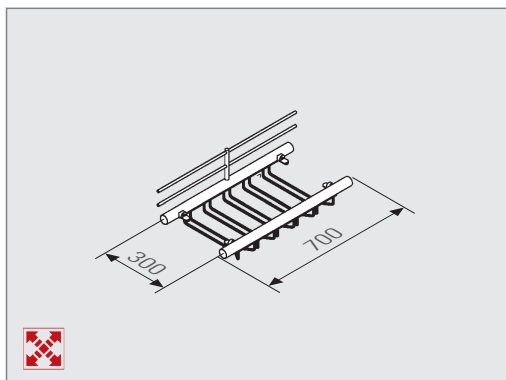


4 x 11.0504... (■ 282)	1 x 11.0304... (■ 273)	2 x 11.0308... (■ 274)	1 x 11.0309... (■ 275)	1 x 11.0724... (■ 271)
------------------------------	------------------------------	------------------------------	------------------------------	------------------------------



4 x 10.2950... (■ 169)	8 x 11/12.8900... (■ 257)	4 x 93.8800.820.15 (■ 301)	4 x 11/12.8900.010... (■ 257)
------------------------------	---------------------------------	----------------------------------	-------------------------------------

430 - 6

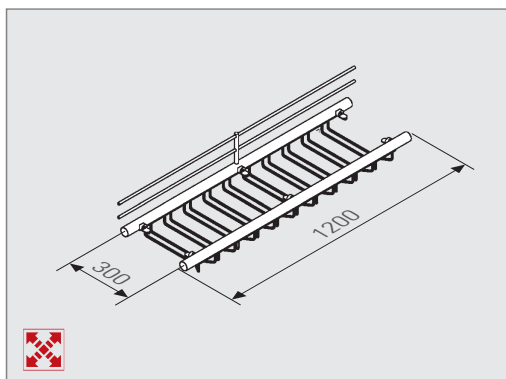


Ø	Art.no.	Stainless steel design	Chrome design	Brass design	Anthracite design
		Art.no.	Art.no.	Art.no.	Art.no.
25,4 mm (1")	20.4306.025...	...20	...23	...22	NEW ...26
38,1 mm (1,5")	20.4306.038...	...20	...23	...22	NEW ...26



1 x 11/12.0876.300... (■ 231)	4 x 10.2950... (■ 169)	1 x 11.0686.010... (■ 238)	2 x 11/12.8900... (■ 257)	2 x 11/12.8900.010... (■ 257)
-------------------------------------	------------------------------	----------------------------------	---------------------------------	-------------------------------------

430 - 8

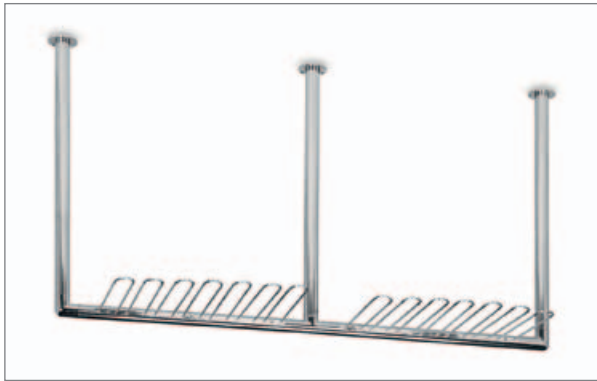


Ø	Art.no.	Stainless steel design	Chrome design	Brass design	Anthracite design
		Art.no.	Art.no.	Art.no.	Art.no.
25,4 mm (1")	20.4308.025...	...20	...23	...22	NEW ...26
38,1 mm (1,5")	20.4308.038...	...20	...23	...22	NEW ...26



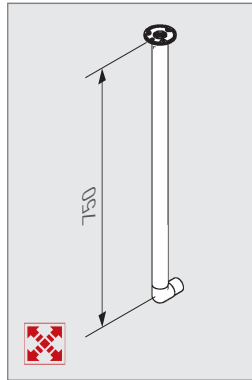
2 x 11/12.0876.300... (■ 231)	6 x 10.2950... (■ 169)	1 x 11.0686.010... (■ 238)	2 x 11/12.8900... (■ 257)	2 x 11/12.8900.010... (■ 257)
-------------------------------------	------------------------------	----------------------------------	---------------------------------	-------------------------------------

Bottle shelf - 434



Stainless steel design / Chrome design / Brass design / Anthracite design
 Ø 25,4 mm / Ø 38,1 mm

434 - 1



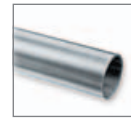
Ø	Art.no.	NEW			
		Stainless steel design	Chrome design	Brass design	Anthracite design
25,4 mm (1")	20.4341.025...	...20	...23	...22	Art.no.
38,1 mm (1,5")	20.4341.038...	...20	...23	...22	...26



1 x
11.0504...
(■ 282)



1 x
11.0303...
(■ 273)



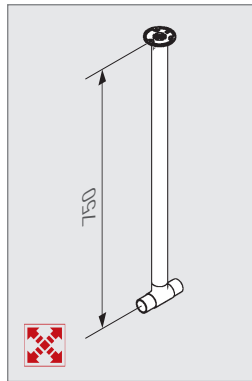
1 x
11/12.8900...
(■ 257)



1 x
93.8800.820.15
(■ 301)

6

434 - 2



Ø	Art.no.	NEW			
		Stainless steel design	Chrome design	Brass design	Anthracite design
25,4 mm (1")	20.4342.025...	...20	...23	...22	Art.no.
38,1 mm (1,5")	20.4342.038...	...20	...23	...22	...26



1 x
11.0504...
(■ 282)



1 x
11.0307...
(■ 274)

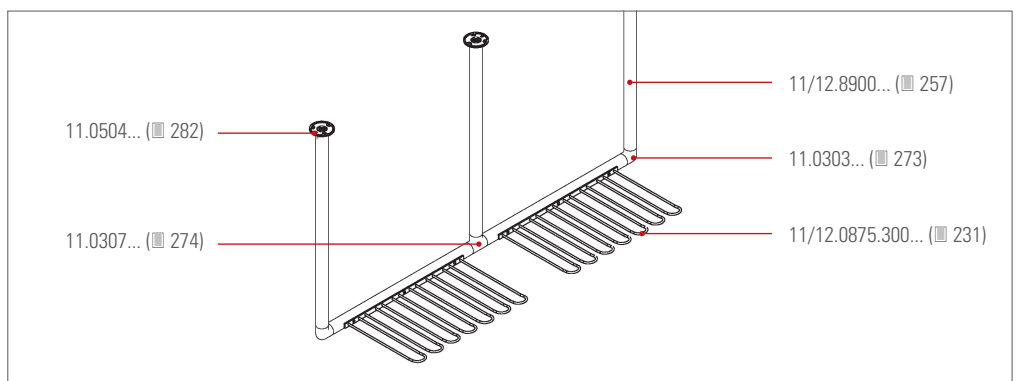


1 x
11/12.8900...
(■ 257)



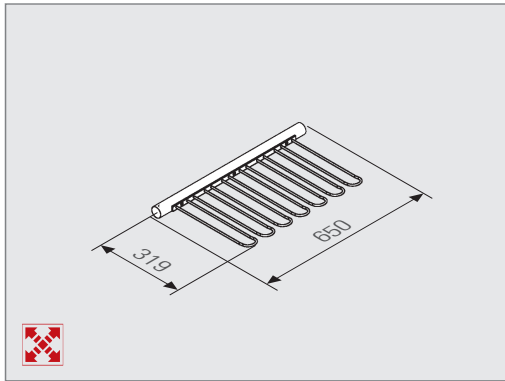
1 x
93.8800.820.15
(■ 301)

↳ production according to order
 ↳ other dimensions possible



NEW

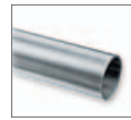
434 - 6



Ø	Art.no.	Stainless steel design	Chrome design	Brass design	Anthracite design
		Art.no.	Art.no.	Art.no.	Art.no.
25,4 mm (1")	20.4346.025...	...20	...23	...22	
38,1 mm (1,5")	20.4346.038...	...20	...23	...22	...26

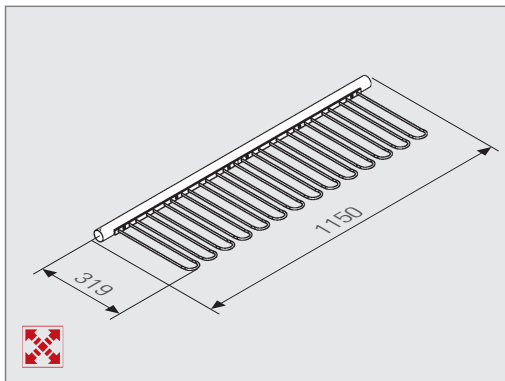


1 x
11/12.0875.300...
(■ 231)



1 x
11/12.8900...
(■ 257)

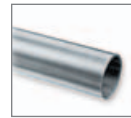
434 - 8



Ø	Art.no.	Stainless steel design	Chrome design	Brass design	Anthracite design
		Art.no.	Art.no.	Art.no.	Art.no.
25,4 mm (1")	20.4348.025...	...20	...23	...22	
38,1 mm (1,5")	20.4348.038...	...20	...23	...22	...26



2 x
11/12.0875.300...
(■ 231)

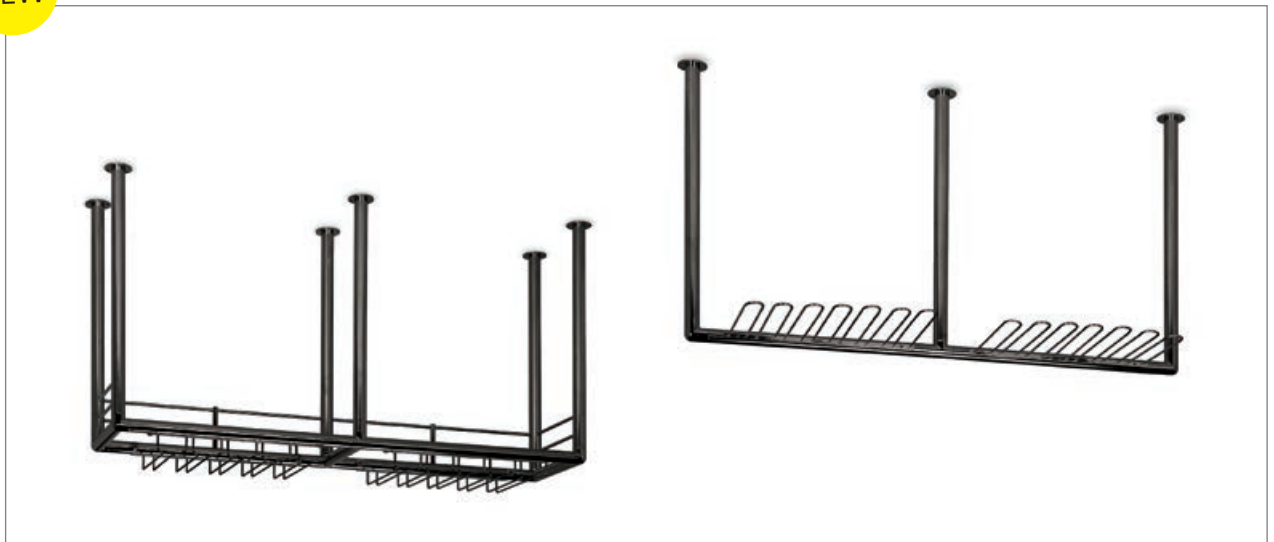


1 x
11/12.8900...
(■ 257)

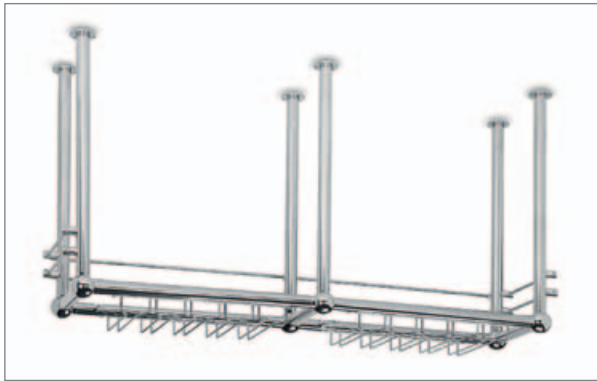
NEW

NEW

Anthracite design



Bottle shelf - 436



Stainless steel design / Chrome design / Brass design
 Ø 38,1 mm

INFO optional

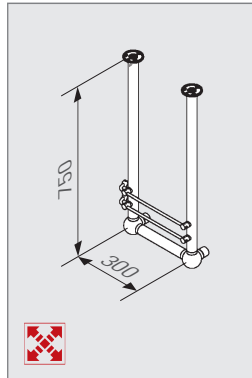
for Ø 38,1 mm (1,5"):
 11/12.0991.038... (■ 220)

INFO optional

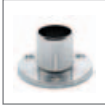

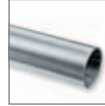

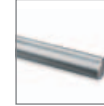

Toughened glass /
 Laminated glass

(■ 297)

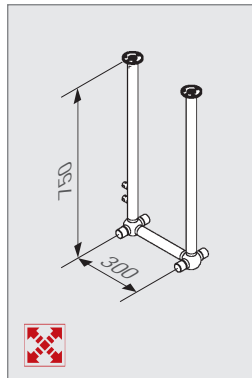
436 - 1





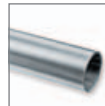


Ø	Art.no.	Stainless steel design Art.no.	Chrome design Art.no.	Brass design Art.no.
38,1 mm (1,5")	20.4361.038...	...20	...23	...22

					
2 x 11.0504.038... (■ 282)	2 x 11.0205.038... (■ 269)	3 x 11/12.8900.038... (■ 257)	2 x 93.8800.820.15 (■ 301)	2 x 11/12.8900.010... (■ 257)	6 x 11.0825.038... (■ 279)

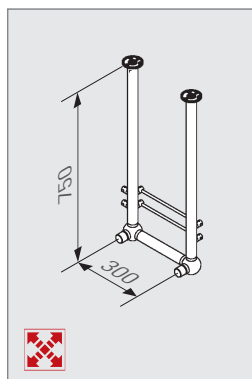
436 - 2





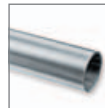



Ø	Art.no.	Stainless steel design Art.no.	Chrome design Art.no.	Brass design Art.no.
38,1 mm (1,5")	20.4362.038...	...20	...23	...22

				
2 x 11.0504.038... (■ 282)	2 x 11.0207.038... (■ 270)	3 x 11/12.8900.038... (■ 257)	2 x 93.8800.820.15 (■ 301)	2 x 11.0825.038... (■ 279)

436 - 3



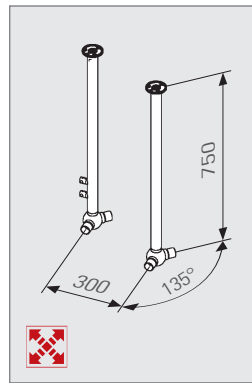
Ø	Art.no.	Stainless steel design Art.no.	Chrome design Art.no.	Brass design Art.no.
38,1 mm (1,5")	20.4363.038...	...20	...23	...22



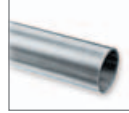


					
2 x 11.0504.038... (■ 282)	2 x 11.0205.038... (■ 269)	3 x 11/12.8900.038... (■ 257)	2 x 93.8800.820.15 (■ 301)	2 x 11/12.8900.010... (■ 257)	6 x 11.0825.038... (■ 279)



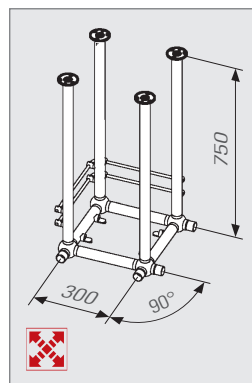
⇨ production according to order
 ⇨ other dimensions possible

436 - 4



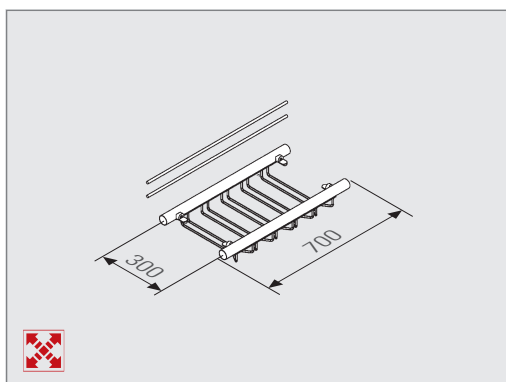
Ø	Art.no.	Stainless steel design	Chrome design	Brass design
		Art.no.	Art.no.	Art.no.
38,1 mm (1,5")	20.4364.038...	...20	...23	...22
    				
2 x	11.0504.038...	2 x	2 x	2 x
	(11.0504.038...)			
	(11.0204.038...)			
	(11.0204.038...)			
	(11/12.8900.038...)			
	(11/12.8900.038...)			
	(93.8800.820.15)			
	(93.8800.820.15)			
	(11.0825.038...)			
	(11.0825.038...)			

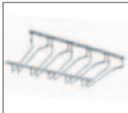

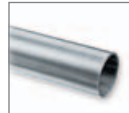

436 - 5



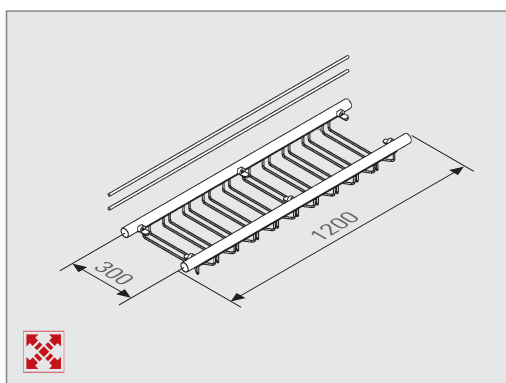
Ø	Art.no.	Stainless steel design	Chrome design	Brass design
		Art.no.	Art.no.	Art.no.
38,1 mm (1,5")	20.4365.038...	...20	...23	...22
    				
4 x	11.0504.038...	3 x	1 x	1 x
	(11.0504.038...)			
	(11.0207.038...)			
	(11.0207.038...)			
	(11.0205.038...)			
	(11.0205.038...)			
	(11.0724.038...)			
	(11.0724.038...)			
	(10.2950.038...)			
	(10.2950.038...)			
	(11/12.8900.038...)			
	(11/12.8900.038...)			
	(93.8800.820.15)			
	(93.8800.820.15)			
	(11.0825.038...)			
	(11.0825.038...)			
	(10.2950.038...)			
	(10.2950.038...)			

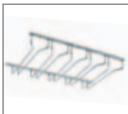



436 - 6



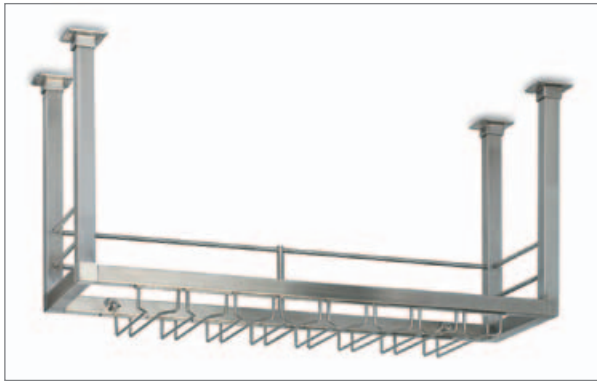
Ø	Art.no.	Stainless steel design	Chrome design	Brass design
		Art.no.	Art.no.	Art.no.
38,1 mm (1,5")	20.4366.038...	...20	...23	...22
   				
1 x	11/12.0876.300...	4 x	2 x	2 x
	(11/12.0876.300...)			
	(10.2950.038...)			
	(10.2950.038...)			
	(11/12.8900.038...)			
	(11/12.8900.038...)			
	(11/12.8900.010...)			
	(11/12.8900.010...)			

436 - 8



Ø	Art.no.	Stainless steel design	Chrome design	Brass design
		Art.no.	Art.no.	Art.no.
38,1 mm (1,5")	20.4368.038...	...20	...23	...22
   				
2 x	11/12.0876.300...	6 x	2 x	2 x
	(11/12.0876.300...)			
	(10.2950.038...)			
	(10.2950.038...)			
	(11/12.8900.038...)			
	(11/12.8900.038...)			
	(11/12.8900.010...)			
	(11/12.8900.010...)			

Bottle shelf - 438



Stainless steel design
□ 35 x 35 mm

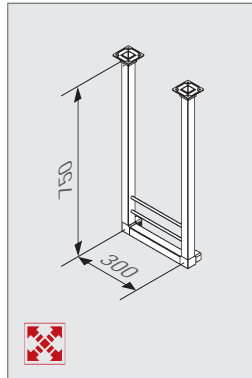
INFO optional

Toughened glass /
Laminated glass



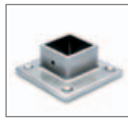
(■ 297)

438 - 1

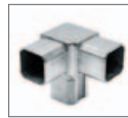


Stainless steel design

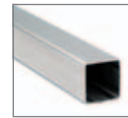
□ Art.no.
35 x 35 mm 20.4381.035.20



2 x
12.4505.035.12
(■ 285)



2 x
12.4304.035.12
(■ 276)



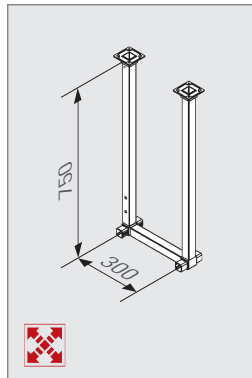
3 x
12.4890.035.12
(■ 256)



2 x
12.8900.010.12
(■ 257)

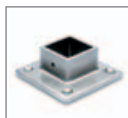
6

438 - 2



Stainless steel design

□ Art.no.
35 x 35 mm 20.4382.035.20



2 x
12.4505.035.12
(■ 285)



2 x
12.4304.035.12
(■ 276)

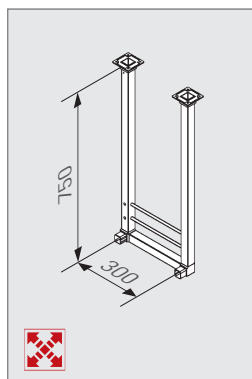


2 x
12.4732.035.12
(■ 289)



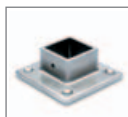
3 x
12.4890.035.12
(■ 256)

438 - 3



Stainless steel design

□ Art.no.
35 x 35 mm 20.4383.035.20



2 x
12.4505.035.12
(■ 285)



2 x
12.4304.035.12
(■ 276)



3 x
12.4890.035.12
(■ 256)

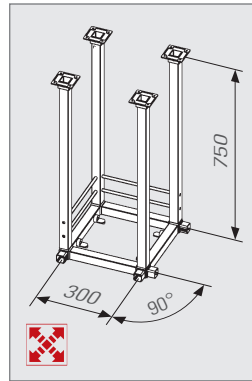


2 x
12.8900.010.12
(■ 257)



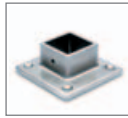
↻ production according to order
↻ other dimensions possible

438 - 5

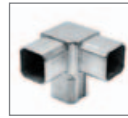


Stainless steel design

□	Art.no.
35 x 35 mm	20.4385.035.20



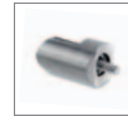
4 x
12.4505.035.12
(■ 285)



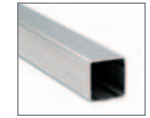
4 x
12.4304.035.12
(■ 276)



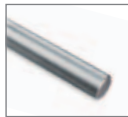
4 x
12.4732.035.12
(■ 289)



4 x
10.2950.000.20
(■ 169)

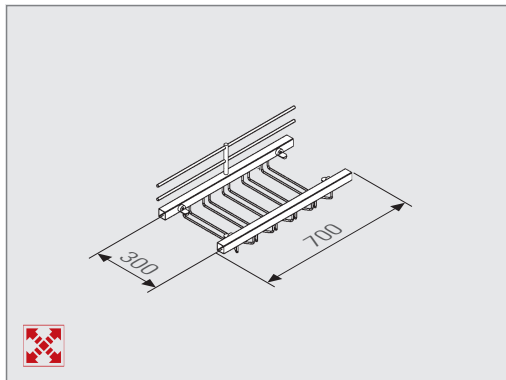


8 x
12.4890.035.12
(■ 256)



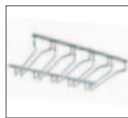
4 x
12.8900.010.12
(■ 257)

438 - 6



Stainless steel design

□	Art.no.
35 x 35 mm	20.4386.035.20



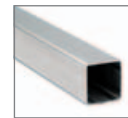
1 x
12.0876.300.12
(■ 231)



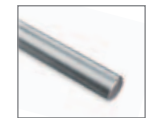
4 x
10.2950.000.20
(■ 169)



1 x
11.0686.010.20
(■ 238)

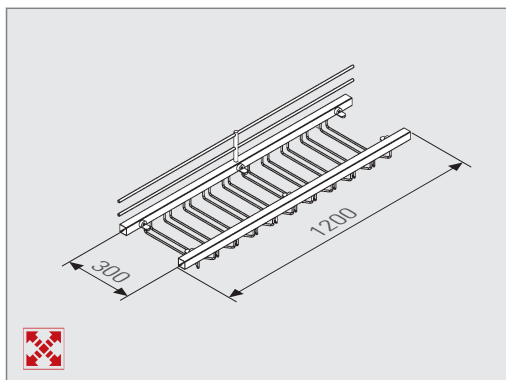


2 x
12.4890.035.12
(■ 256)



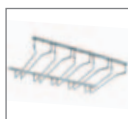
2 x
12.8900.010.12
(■ 257)

438 - 8



Stainless steel design

□	Art.no.
35 x 35 mm	20.4388.035.20



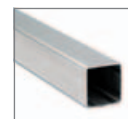
2 x
12.0876.300.12
(■ 231)



6 x
10.2950.000.20
(■ 169)



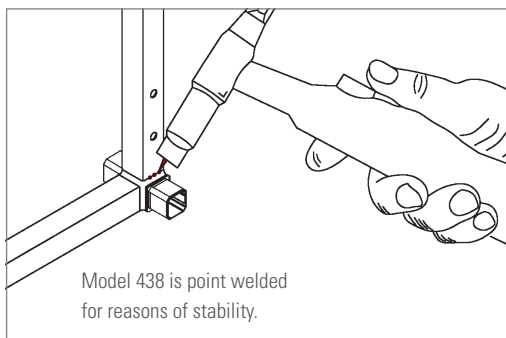
1 x
11.0686.010.20
(■ 238)



2 x
12.4890.035.12
(■ 256)



2 x
12.8900.010.12
(■ 257)

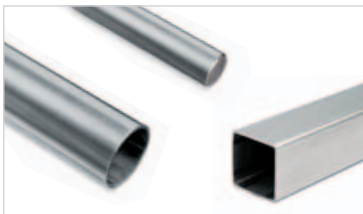


Model 438 is point welded for reasons of stability.

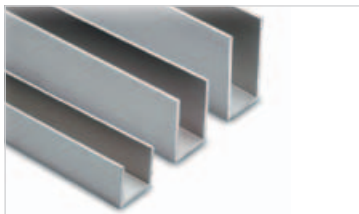


7

Tubes, rods and profiles



7 Tubes and rods 256

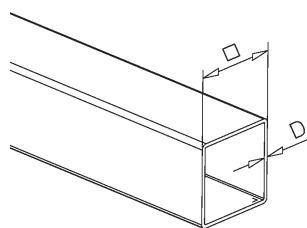


7 Aluminium profiles 258



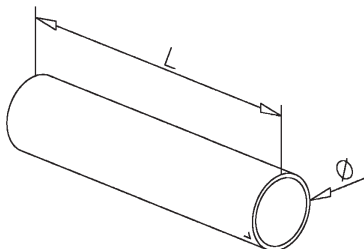
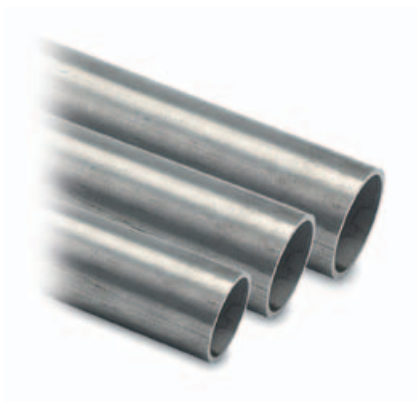
7 Bending 260

Square tubes



Stainless steel design			
□	L	D	Art.no.
8 x 8 mm	2500 mm	1,0 mm	12.4925.008.12
8 x 8 mm	cutted	1,0 mm	12.4890.008.12
20 x 20 mm	5000 mm	1,5 mm	12.4900.020.12
20 x 20 mm	2500 mm	1,5 mm	12.4925.020.12
20 x 20 mm	cutted	1,5 mm	12.4890.020.12
35 x 35 mm	5000 mm	1,5 mm	12.4900.035.12
35 x 35 mm	2500 mm	1,5 mm	12.4925.035.12
35 x 35 mm	cutted	1,5 mm	12.4890.035.12

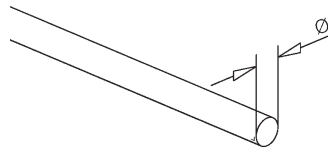
Inner tubes



Stainless steel		
Ø	L	Art.no.
22,5 mm	per metre, max. 5,0 m	12.8911.025.00
35,0 mm	per metre, max. 5,0 m	12.8911.038.00
48,0 mm	per metre, max. 5,0 m	12.8911.050.00

7

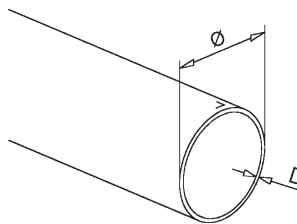
Rods



NEW

Ø	L	Stainless steel design	Chrome design	Brass design	Anthracite design
		Art.no.	Art.no.	Art.no.	Art.no.
6,0 mm	2500 mm	12.8925.006.12	12.8925.006.10	11.8925.006.22	
6,0 mm	cutted	12.8900.006.12	12.8900.006.10	11.8900.006.22	
10,0 mm	2500 mm	12.8925.010.12	12.8925.010.10	11.8925.010.22	11.8925.010.26
10,0 mm	cutted	12.8900.010.12	12.8900.010.10	11.8900.010.22	11.8900.010.26

Tubes



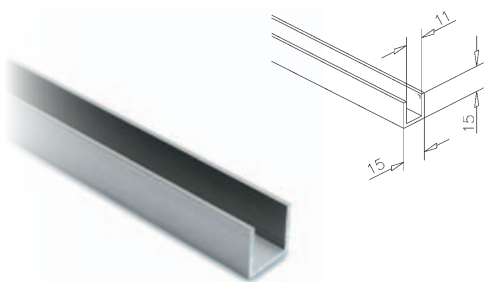
NEW

Anthracite design



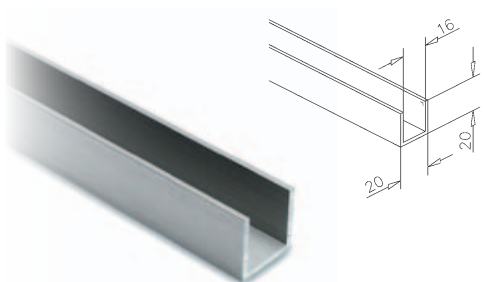
Ø	L	D	Stainless steel design	Chrome design	Brass design	Anthracite design
			Art.no.	Art.no.	Art.no.	Art.no.
19,0 mm	5000 mm	1,0 mm	12.0900.019.12			
19,0 mm	2500 mm	1,0 mm	12.8925.019.12	12.8925.019.10	11.8925.019.22	
19,0 mm	cutted	1,0 mm	12.8900.019.12	12.8900.019.10	11.8900.019.22	
25,4 mm (1")	5000 mm	1,27 mm	12.0900.025.12	12.0900.025.10		
25,4 mm (1")	3200 mm	1,27 mm			11.8932.025.22	11.8932.025.26
25,4 mm (1")	2500 mm	1,27 mm	12.8925.025.12	12.8925.025.10	11.8925.025.22	11.8925.025.26
25,4 mm (1")	cutted	1,27 mm	12.8900.025.12	12.8900.025.10	11.8900.025.22	11.8900.025.26
38,1 mm (1,5")	5000 mm	1,27 mm	12.0900.038.12	12.0900.038.10		
38,1 mm (1,5")	3200 mm	1,27 mm			11.8932.038.22	11.8932.038.26
38,1 mm (1,5")	2500 mm	1,27 mm	12.8925.038.12	12.8925.038.10	11.8925.038.22	11.8925.038.26
38,1 mm (1,5")	cutted	1,27 mm	12.8900.038.12	12.8900.038.10	11.8900.038.22	11.8900.038.26
50,8 mm (2")	5000 mm	1,27 mm	12.0900.050.12	12.0900.050.10		
50,8 mm (2")	3200 mm	1,27 mm			11.8932.050.22	
50,8 mm (2")	2500 mm	1,27 mm	12.8925.050.12	12.8925.050.10	11.8925.050.22	
50,8 mm (2")	cutted	1,27 mm	12.8900.050.12	12.8900.050.10	11.8900.050.22	

U-channel profile - 15 x 15 x 15



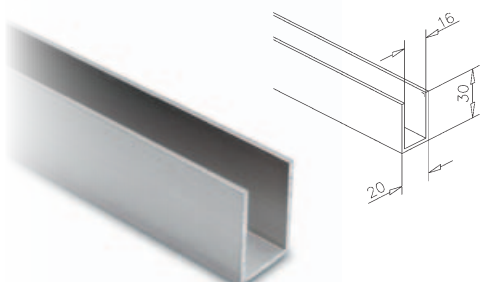
U	L	Art.no.	Art.no.	Art.no.
15 x 15 x 15 mm	5000 mm	49.0900.151.19	49.0900.151.46	
15 x 15 x 15 mm	2500 mm	49.8925.151.19	49.8925.151.46	49.8925.151.48
15 x 15 x 15 mm	cutted	49.8900.151.19	49.8900.151.46	49.8900.151.48

U-channel profile - 20 x 20 x 20



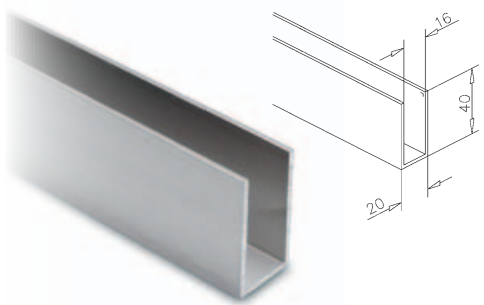
U	L	Art.no.	Art.no.	Art.no.
20 x 20 x 20 mm	5000 mm	49.0900.202.19	49.0900.202.46	
20 x 20 x 20 mm	2500 mm	49.8925.202.19	49.8925.202.46	49.8925.202.48
20 x 20 x 20 mm	cutted	49.8900.202.19	49.8900.202.46	49.8900.202.48

U-channel profile - 30 x 20 x 30



U	L	Art.no.	Art.no.	Art.no.
30 x 20 x 30 mm	5000 mm	49.0900.302.19	49.0900.302.46	
30 x 20 x 30 mm	2500 mm	49.8925.302.19	49.8925.302.46	49.8925.302.48
30 x 20 x 30 mm	cutted	49.8900.302.19	49.8900.302.46	49.8900.302.48

U-channel profile - 40 x 20 x 40



U	L	Art.no.	Art.no.	Art.no.
40 x 20 x 40 mm	5000 mm	49.0900.402.19	49.0900.402.46	
40 x 20 x 40 mm	2500 mm	49.8925.402.19	49.8925.402.46	49.8925.402.48
40 x 20 x 40 mm	cutted	49.8900.402.19	49.8900.402.46	49.8900.402.48

INFO Finishes



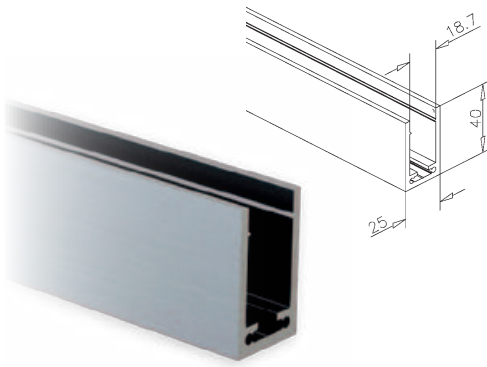
stainless steel effect

silver matt anodized

polished

U-channel profile - 40 x 25 x 40

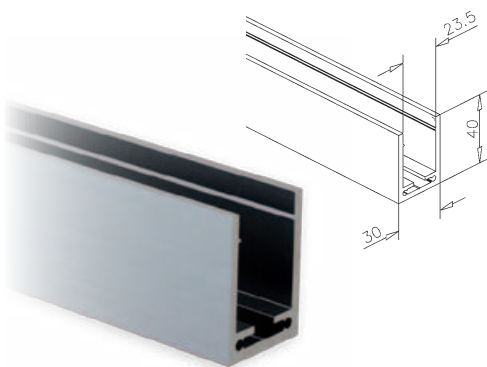
NEW



U	L	Aluminium stainless steel effect Art.no.	Aluminium silver matt anodized Art.no.	Aluminium raw Art.no.
40 x 25 x 40 mm	5000 mm	49.0900.425.19	49.0900.425.46	49.0900.425.00
40 x 25 x 40 mm	2500 mm	49.8925.425.19	49.8925.425.46	49.8925.425.00
40 x 25 x 40 mm	cutted	49.8900.425.19	49.8900.425.46	49.8900.425.00

U-channel profile - 40 x 30 x 40

NEW

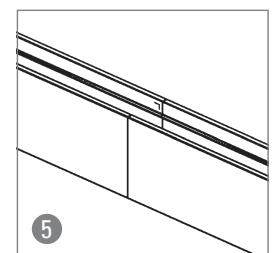
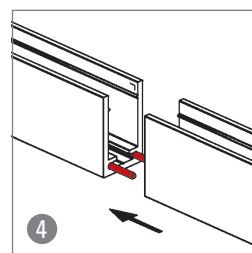
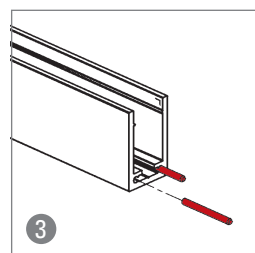
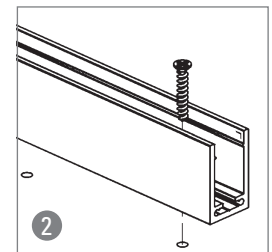
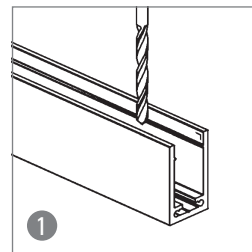


U	L	Aluminium stainless steel effect Art.no.	Aluminium silver matt anodized Art.no.	Aluminium raw Art.no.
40 x 30 x 40 mm	5000 mm	49.0900.403.19	49.0900.403.46	49.0900.403.00
40 x 30 x 40 mm	2500 mm	49.8925.403.19	49.8925.403.46	49.8925.403.00
40 x 30 x 40 mm	cutted	49.8900.403.19	49.8900.403.46	49.8900.403.00

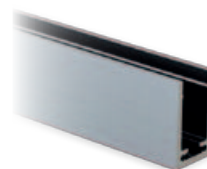
INFO optional



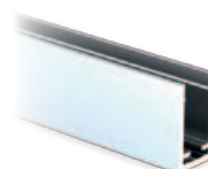
Centering-coupling pin
Art.no.
93.1010.330.00 (■ 121)



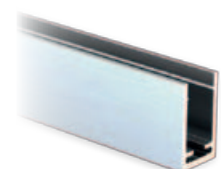
INFO Finishes



stainless steel effect



silver matt anodized



raw

7



7



Half and quarter circles, angles, S-bends
or rings . . .
tubes and rods are bent exactly according
to your specification.

Proposal inquiry

	Stainless steel design	Chrome design	Brass design	Anthracite design	Radius R
● Ø 6 mm	<input type="checkbox"/>	<input type="checkbox"/>	<input type="checkbox"/>		200 - ... mm
● Ø 10 mm	<input type="checkbox"/>	<input type="checkbox"/>	<input type="checkbox"/>	<input type="checkbox"/>	200 - ... mm
○ Ø 19,0 mm	<input type="checkbox"/>	<input type="checkbox"/>	<input type="checkbox"/>		250 - ... mm
○ Ø 25,4 mm	<input type="checkbox"/>	<input type="checkbox"/>	<input type="checkbox"/>	<input type="checkbox"/>	250 - ... mm 5 6 : 350 - ... mm
○ Ø 38,1 mm	<input type="checkbox"/>	<input type="checkbox"/>	<input type="checkbox"/>	<input type="checkbox"/>	250 - ... mm 5 6 : 350 - ... mm
○ Ø 50,8 mm	<input type="checkbox"/>	<input type="checkbox"/>	<input type="checkbox"/>		500 - ... mm
□ 35 x 35 mm 1 2 4	<input type="checkbox"/>				1000 - ... mm

Pieces:

90° **1**

R = _____

180° **2**

R = _____

360° **3**

R = _____

Arc **4**

W = _____ °
X = _____ R = _____

S **5**

H = _____
B = _____

U **6**

H = _____
B = _____ R = _____

Sender

Name _____

Telephone _____

Company _____

Fax _____

Street _____

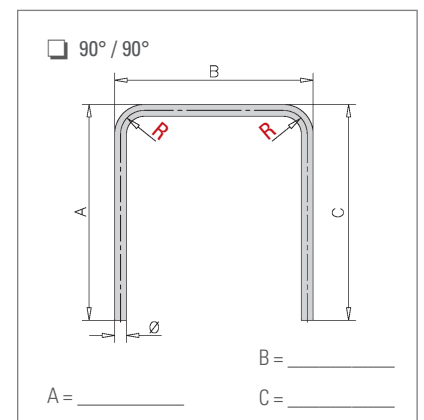
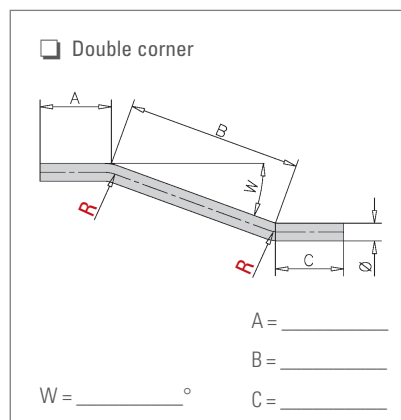
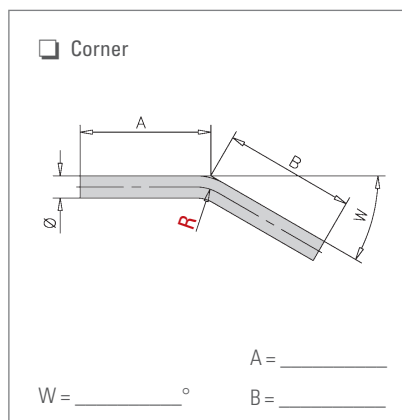
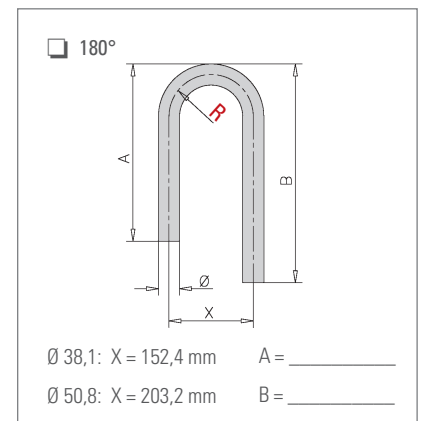
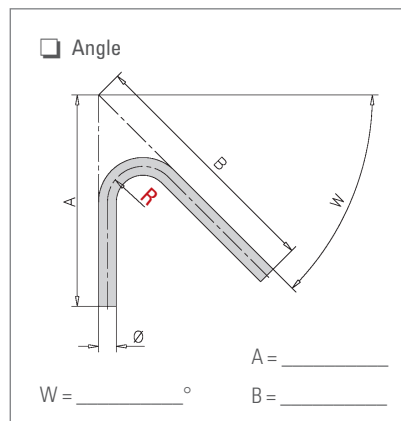
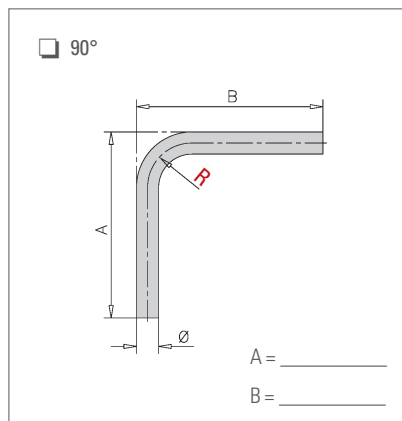
E-Mail _____

Postcode, town _____

Proposal inquiry

	Stainless steel design	Chrome design	Radius R
<input type="radio"/> Ø 25,4 mm	<input type="checkbox"/>	<input type="checkbox"/>	38,1 mm
<input type="radio"/> Ø 38,1 mm	<input type="checkbox"/>	<input type="checkbox"/>	76,2 mm
<input type="radio"/> Ø 50,8 mm	<input type="checkbox"/>	<input type="checkbox"/>	101,6 mm

Pieces:



Sender

Name _____

Telephone _____

Company _____

Fax _____

Street _____

E-Mail _____

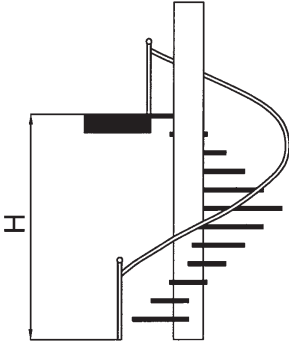
Postcode, town _____



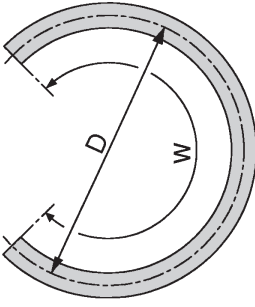
Proposal inquiry

	Stainless steel design	Chrome design
<input type="radio"/> Ø 25,4 mm	<input type="checkbox"/>	<input type="checkbox"/>
<input type="radio"/> Ø 38,1 mm	<input type="checkbox"/>	<input type="checkbox"/>
<input type="radio"/> Ø 50,8 mm	<input type="checkbox"/>	<input type="checkbox"/>


Pieces: _____




H = _____



D = _____
W = _____°



left



right

Sender

Name

Telephone

Company

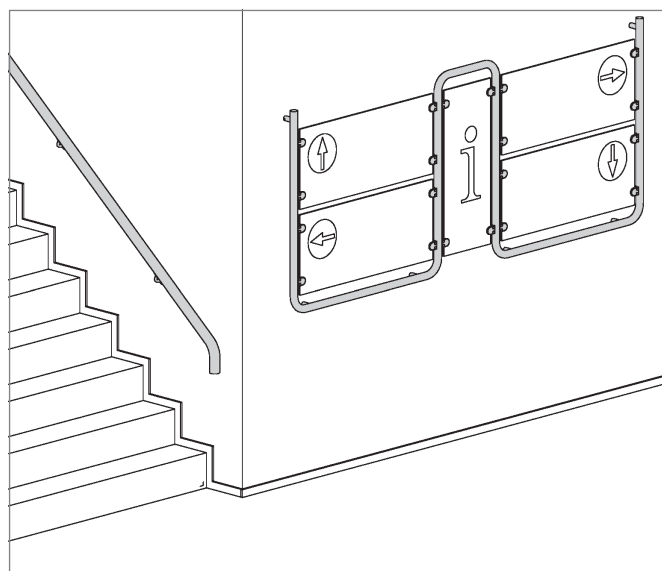
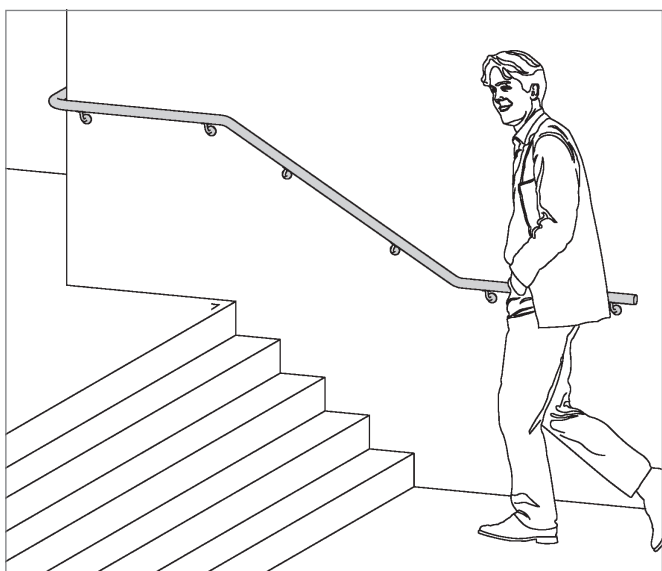
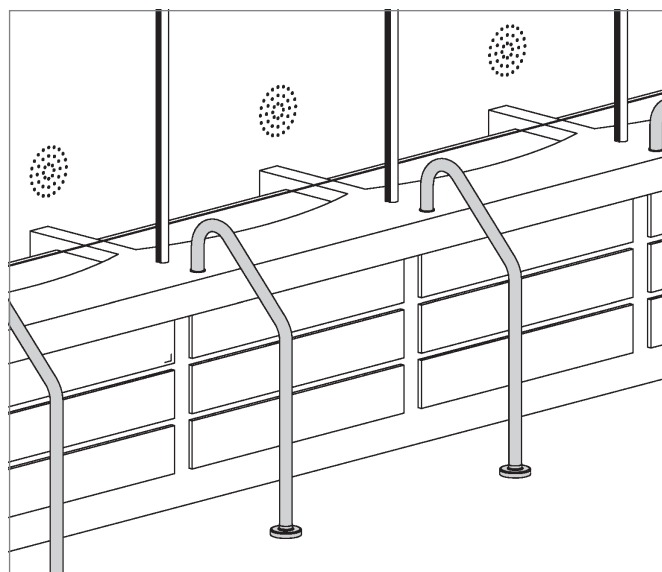
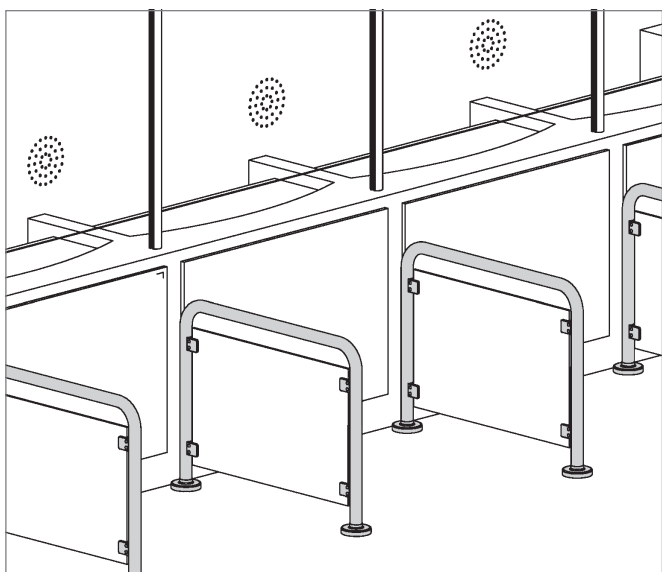
Fax

Street

E-Mail

Postcode, town

Examples





8



8 Ball fittings **268**



8 Flush angles **272**



8 Adapters **278**

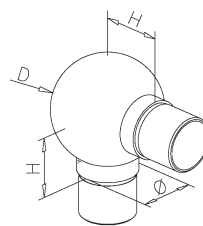



8 Flanges and rosettes **280**

Ball elbow - 200

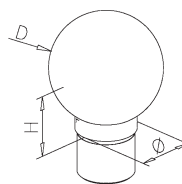



90°



Ø	Stainless steel design	Chrome design	Brass design	H	D	
	Art.no.	Art.no.	Art.no.			
25,4 mm (1")	11.0200.025.20	11.0200.025.23	11.0200.025.22	28	Ø45	2
38,1 mm (1,5")	11.0200.038.20	11.0200.038.23	11.0200.038.22	40	Ø70	2

External ball top - 201

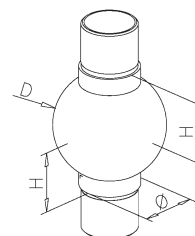



Ø	Stainless steel design	Chrome design	Brass design	H	D	
	Art.no.	Art.no.	Art.no.			
25,4 mm (1")	11.0201.025.20	11.0201.025.23	11.0201.025.22	28	Ø45	2
38,1 mm (1,5")	11.0201.038.20	11.0201.038.23	11.0201.038.22	40	Ø70	2

Ball elbow - 202



180°

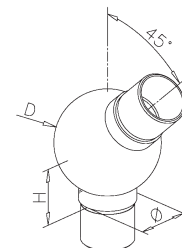



Ø	Stainless steel design	Chrome design	Brass design	H	D	
	Art.no.	Art.no.	Art.no.			
25,4 mm (1")	11.0202.025.20	11.0202.025.23	11.0202.025.22	28	Ø45	2
38,1 mm (1,5")	11.0202.038.20	11.0202.038.23	11.0202.038.22	40	Ø70	2

Ball elbow - 203



45°

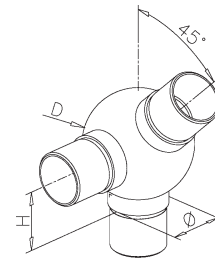



Ø	Stainless steel design	Chrome design	Brass design	H	D	
	Art.no.	Art.no.	Art.no.			
25,4 mm (1")	11.0203.025.20	11.0203.025.23	11.0203.025.22	28	Ø45	2
38,1 mm (1,5")	11.0203.038.20	11.0203.038.23	11.0203.038.22	40	Ø70	2

Ball elbow - 204



45° with 1 outlet 90°

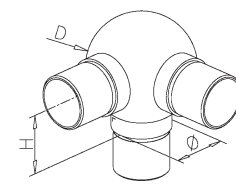



Ø	Stainless steel design	Chrome design	Brass design	H	D	
	Art.no.	Art.no.	Art.no.			
25,4 mm (1")	11.0204.025.20	11.0204.025.23	11.0204.025.22	28	Ø45	2
38,1 mm (1,5")	11.0204.038.20	11.0204.038.23	11.0204.038.22	40	Ø70	2

Ball elbow - 205

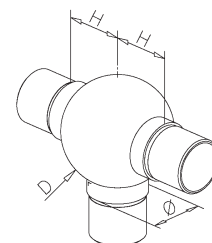



90° with 1 outlet 90°



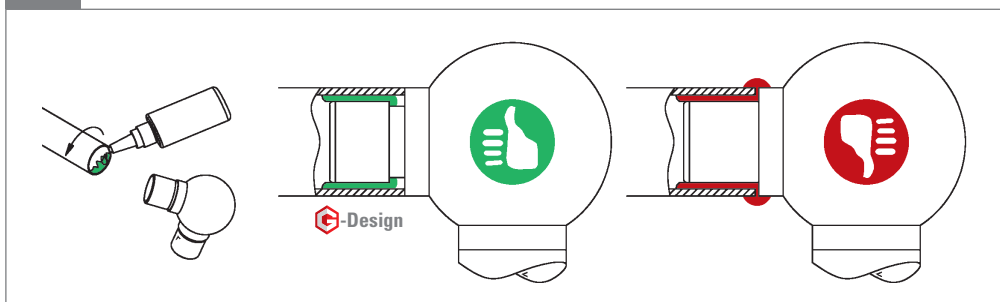
Ø	Stainless steel design	Chrome design	Brass design	H	D	
	Art.no.	Art.no.	Art.no.			
25,4 mm (1")	11.0205.025.20	11.0205.025.23	11.0205.025.22	28	Ø45	2
38,1 mm (1,5")	11.0205.038.20	11.0205.038.23	11.0205.038.22	40	Ø70	2

Ball tee - 206



Ø	Stainless steel design	Chrome design	Brass design	H	D	
	Art.no.	Art.no.	Art.no.			
25,4 mm (1")	11.0206.025.20	11.0206.025.23	11.0206.025.22	28	Ø45	2
38,1 mm (1,5")	11.0206.038.20	11.0206.038.23	11.0206.038.22	40	Ø70	2

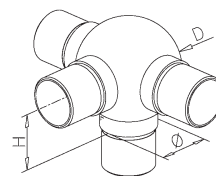
INFO Fixation




Ball tee - 207

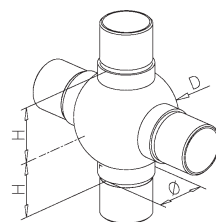



with 1 outlet 90°



Ø	Stainless steel design	Chrome design	Brass design	H	D	
	Art.no.	Art.no.	Art.no.			
25,4 mm (1")	11.0207.025.20	11.0207.025.23	11.0207.025.22	28	Ø45	2
38,1 mm (1,5")	11.0207.038.20	11.0207.038.23	11.0207.038.22	40	Ø70	2

Ball cross - 208

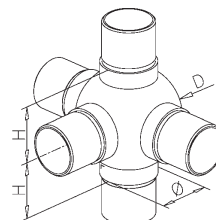



Ø	Stainless steel design	Chrome design	Brass design	H	D	
	Art.no.	Art.no.	Art.no.			
25,4 mm (1")	11.0208.025.20	11.0208.025.23	11.0208.025.22	28	Ø45	2
38,1 mm (1,5")	11.0208.038.20	11.0208.038.23	11.0208.038.22	40	Ø70	2

Ball cross - 209



with 1 outlet 90°

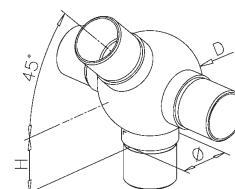



Ø	Stainless steel design	Chrome design	Brass design	H	D	
	Art.no.	Art.no.	Art.no.			
25,4 mm (1")	11.0209.025.20	11.0209.025.23	11.0209.025.22	28	Ø45	2
38,1 mm (1,5")	11.0209.038.20	11.0209.038.23	11.0209.038.22	40	Ø70	2

Ball tee - 215



with 1 outlet 45°

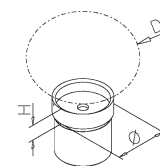


Ø	Stainless steel design	Chrome design	Brass design	H	D	
	Art.no.	Art.no.	Art.no.			
25,4 mm (1")	11.0215.025.20	11.0215.025.23	11.0215.025.22	28	Ø45	2
38,1 mm (1,5")	11.0215.038.20	11.0215.038.23	11.0215.038.22	40	Ø70	2

Adapter - 724

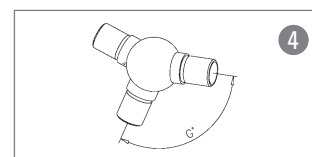
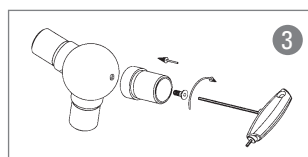
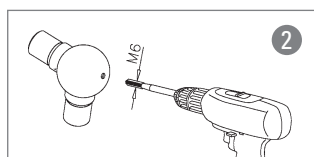
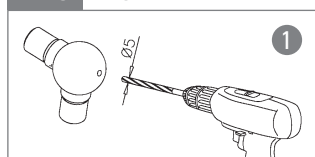


for ball



	Stainless steel design	Chrome design	Brass design	H	D	
Ø	Art.no.	Art.no.	Art.no.			
25,4 mm (1")	11.0724.025.20	11.0724.025.23	11.0724.025.22	9,5	Ø45	2
38,1 mm (1,5")	11.0724.038.20	11.0724.038.23	11.0724.038.22	11	Ø70	2

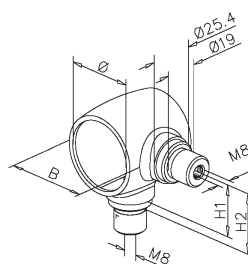
INFO 11.0724...



Socket elbow - 216



with 2 outlets 90°



NEW Anthracite design

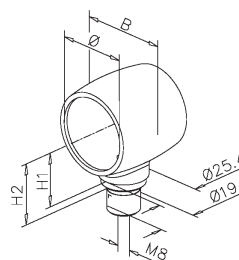


Ø	Stainless steel design	Chrome design	Brass design	Anthracite design	H1	H2	B	
	Art.no.	Art.no.	Art.no.	Art.no.				
38,1 mm (1,5")	11.0216.038.20	11.0216.038.23	11.0216.038.22	11.0216.038.26	30	35	Ø48	2
50,8 mm (2")	11.0216.050.20	11.0216.050.23	11.0216.050.22		35	40	Ø63	2

Socket elbow - 217



with 1 outlet 90°



NEW Anthracite design



Ø	Stainless steel design	Chrome design	Brass design	Anthracite design	H1	H2	B	
	Art.no.	Art.no.	Art.no.	Art.no.				
25,4 mm (1")	11.0217.025.20	11.0217.025.23	11.0217.025.22	11.0217.025.26	20	25	Ø33	2
38,1 mm (1,5")	11.0217.038.20	11.0217.038.23	11.0217.038.22	11.0217.038.26	30	35	Ø48	2
50,8 mm (2")	11.0217.050.20	11.0217.050.23	11.0217.050.22		35	40	Ø63	2

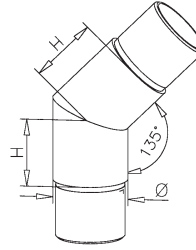
Flush angles

Flush angle - 300

NEW Anthracite design



45°



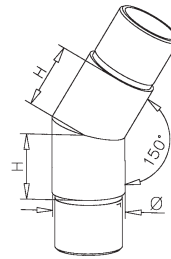
Ø	Stainless steel design Art.no.	Chrome design Art.no.	Brass design Art.no.	Anthracite design Art.no.	H	
19,0 mm	12.0300.019.12	12.0300.019.10	11.0300.019.22		20	2
25,4 mm (1")	11.0300.025.20	11.0300.025.23	11.0300.025.22		25	2
38,1 mm (1,5")	11.0300.038.20	11.0300.038.23	11.0300.038.22	11.0300.038.26	30	2
50,8 mm (2")	11.0300.050.20	11.0300.050.23	11.0300.050.22		40	2

Flush angle - 311

NEW Anthracite design



30°



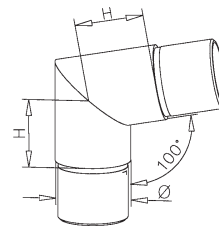
Ø	Stainless steel design Art.no.	Chrome design Art.no.	Brass design Art.no.	Anthracite design Art.no.	H	
38,1 mm (1,5")	12.0311.038.12	12.0311.038.10	11.0311.038.22	11.0311.038.26	35	2

Flush angle - 312

NEW Anthracite design

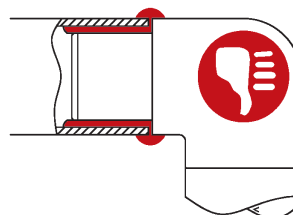
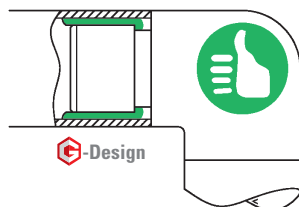
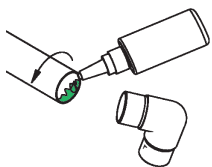


80°



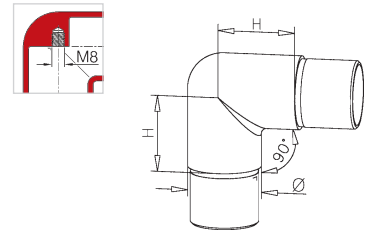
Ø	Stainless steel design Art.no.	Chrome design Art.no.	Brass design Art.no.	Anthracite design Art.no.	H	
25,4 mm (1")	11.0312.025.20	11.0312.025.23	11.0312.025.22		25	2
38,1 mm (1,5")	11.0312.038.20	11.0312.038.23	11.0312.038.22	11.0312.038.26	35	2

INFO Fixation



EXTRA-LOCK
50 ml
Metal glue
Art.no.
19.1330.000.00

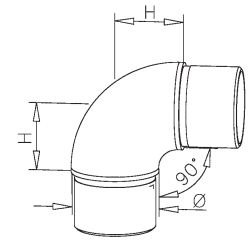
Flush elbow - 303



90°

Ø	Stainless steel design Art.no.	Chrome design Art.no.	Brass design Art.no.	Anthracite design Art.no.	H	
19,0 mm	11.0303.019.20	11.0303.019.23	11.0303.019.22		20	2
25,4 mm (1")	11.0303.025.20	11.0303.025.23	11.0303.025.22	11.0303.025.26	25	2
38,1 mm (1,5")	11.0303.038.20	11.0303.038.23	11.0303.038.22	11.0303.038.26	30	2
50,8 mm (2")	11.0303.050.20	11.0303.050.23	11.0303.050.22		40	2

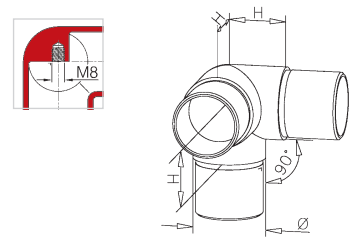
Flush curved elbow - 301



90°

Ø	Stainless steel design Art.no.	Chrome design Art.no.	Brass design Art.no.	H	
25,4 mm (1")	11.0301.025.20	11.0301.025.23	11.0301.025.22	25	2
38,1 mm (1,5")	11.0301.038.20	11.0301.038.23	11.0301.038.22	30	2
50,8 mm (2")	11.0301.050.20	11.0301.050.23	11.0301.050.22	40	2

Flush elbow - 304



90° with 1 outlet 90°

Ø	Stainless steel design Art.no.	Chrome design Art.no.	Brass design Art.no.	Anthracite design Art.no.	H	
25,4 mm (1")	11.0304.025.20	11.0304.025.23	11.0304.025.22	11.0304.025.26	25	2
38,1 mm (1,5")	11.0304.038.20	11.0304.038.23	11.0304.038.22	11.0304.038.26	30	2
50,8 mm (2")	11.0304.050.20	11.0304.050.23	11.0304.050.22		40	2

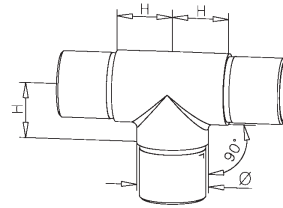


Flush angles

Flush tee - 307



Stainless steel design



NEW Anthracite design

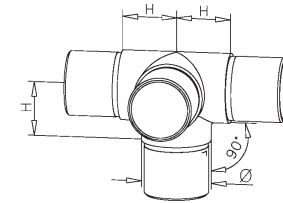


Ø	Stainless steel design Art.no.	Chrome design Art.no.	Brass design Art.no.	Anthracite design Art.no.	H	
25,4 mm (1")	11.0307.025.20	11.0307.025.23	11.0307.025.22		25	2
38,1 mm (1,5")	11.0307.038.20	11.0307.038.23	11.0307.038.22	11.0307.038.26	30	2
50,8 mm (2")	11.0307.050.20	11.0307.050.23	11.0307.050.22		40	2

Flush tee - 308



with 1 outlet 90°



NEW Anthracite design

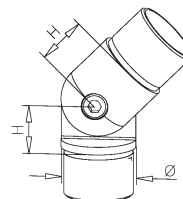
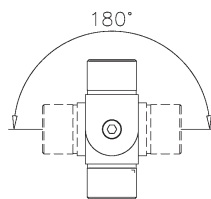


Ø	Stainless steel design Art.no.	Chrome design Art.no.	Brass design Art.no.	Anthracite design Art.no.	H	
25,4 mm (1")	11.0308.025.20	11.0308.025.23	11.0308.025.22		25	2
38,1 mm (1,5")	11.0308.038.20	11.0308.038.23	11.0308.038.22	11.0308.038.26	30	2
50,8 mm (2")	11.0308.050.20	11.0308.050.23	11.0308.050.22		40	2

Adjustable flush angle - 302



Stainless steel design



NEW Anthracite design



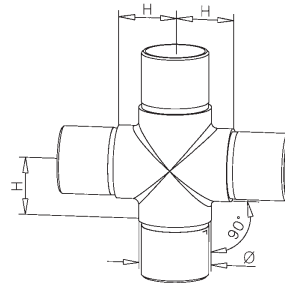
Ø	Stainless steel design Art.no.	Chrome design Art.no.	Brass design Art.no.	Anthracite design Art.no.	H	
38,1 mm (1,5")	11.0302.038.20	11.0302.038.23	11.0302.038.22	11.0302.038.26	25	2
50,8 mm (2")	11.0302.050.20	11.0302.050.23	11.0302.050.22		30	2

INFO 11.0302...

11.0302...
11.0302...
11.0602... (■ 153)
11.0603... (■ 153)



Flush cross - 309



Stainless steel design

Chrome design

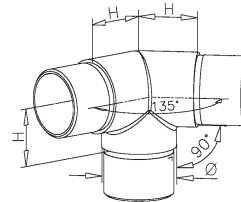
Brass design

Ø	Art.no.	Art.no.	Art.no.	H	
25,4 mm (1")	11.0309.025.20	11.0309.025.23	11.0309.025.22	25	2
38,1 mm (1,5")	11.0309.038.20	11.0309.038.23	11.0309.038.22	30	2
50,8 mm (2")	11.0309.050.20	11.0309.050.23	11.0309.050.22	40	2

Flush elbow - 315



45° with 1 outlet 90°



Stainless steel design

Chrome design

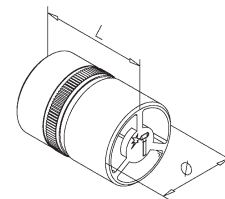
Brass design

Ø	Art.no.	Art.no.	Art.no.	H	
25,4 mm (1")	11.0315.025.20	11.0315.025.23	11.0315.025.22	25	2
38,1 mm (1,5")	11.0315.038.20	11.0315.038.23	11.0315.038.22	30	2
50,8 mm (2")	11.0315.050.20	11.0315.050.23	11.0315.050.22	40	2

Connector - 790

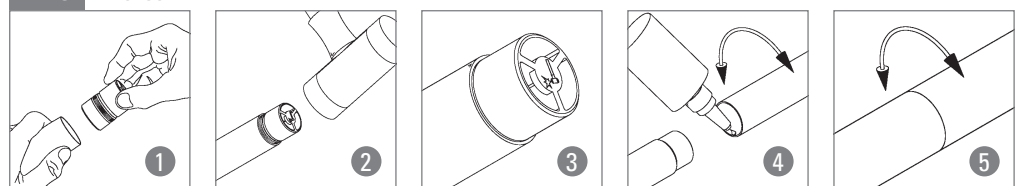


raw



Ø	Art.no.	L	
19,0 mm	11.0790.019.00	30	2
25,4 mm (1")	11.0790.025.00	40	2
38,1 mm (1,5")	11.0790.038.00	50	2
50,8 mm (2")	11.0790.050.00	50	2

INFO 11.0790...



Flush elbow - 4303 / 035

90°
Stainless steel design

<input type="checkbox"/>	Art.no.	
35 x 35 mm	12.4303.035.12	2

Flush elbow - 4304 / 035

90° with 1 outlet 90°
Stainless steel design

<input type="checkbox"/>	Art.no.	
35 x 35 mm	12.4304.035.12	2

Adjustable flush angle - 4302

-90° / +90°
Stainless steel design

<input type="checkbox"/>	Art.no.	
35 x 35 mm	12.4302.035.12	2

Flush tee - 4726

Stainless steel design

<input type="checkbox"/>	Art.no.	
35 x 35 mm	12.4726.035.12	2

Universal fitting - 4725

NEW

flat
Stainless steel design

<input type="checkbox"/>	Art.no.	
35 x 35 mm	12.4725.035.12	2

Universal fitting - 4727

NEW

45°
Stainless steel design

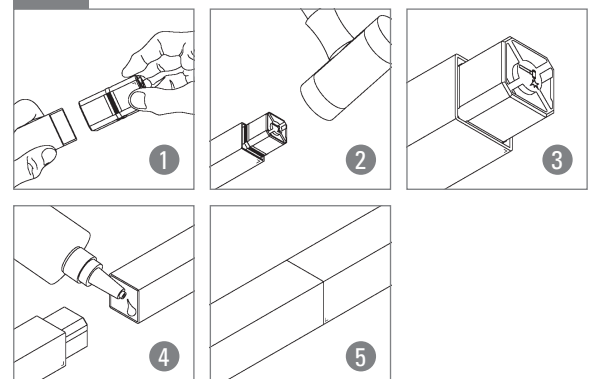
<input type="checkbox"/>	Art.no.	
35 x 35 mm	12.4727.035.12	2

Connector - 4790

raw
Art.no.

<input type="checkbox"/>	Art.no.	
35 x 35 mm	12.4790.035.00	2

INFO 12.4790.035.00

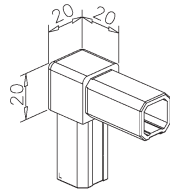


Flush elbow - 4303 / 020



90°

Stainless steel design



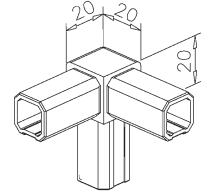
□	Art.no.	2
20 x 20 mm	12.4303.020.12	2

Flush elbow - 4304 / 020



90° with 1 outlet 90°

Stainless steel design



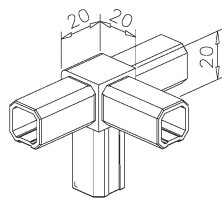
□	Art.no.	2
20 x 20 mm	12.4304.020.12	2

Flush tee - 4308



with 1 outlet 90°

Stainless steel design



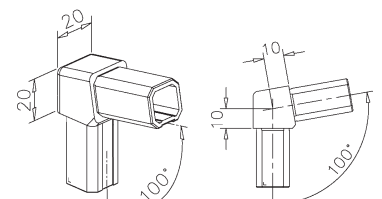
□	Art.no.	2
20 x 20 mm	12.4308.020.12	2

Flush angle - 4312



80°

Stainless steel design

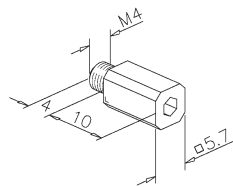


□	Art.no.	2
20 x 20 mm	12.4312.020.12	2

Universal fitting - 4724

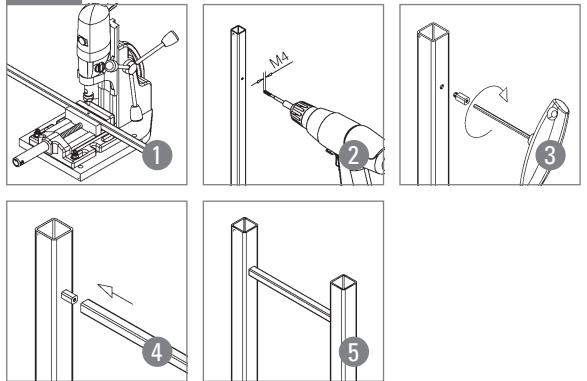


Stainless steel, raw



□	Art.no.	10
8 x 8 mm	12.4724.008.00	10

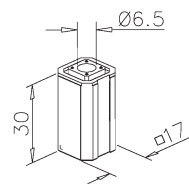
INFO 12.4724.008.00



Universal fitting - 4728



Zintec, raw



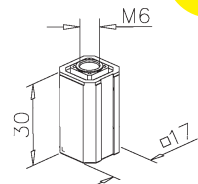
□	Art.no.	4
20 x 20 mm	11.4728.020.00	4

Universal fitting - 4729

NEW

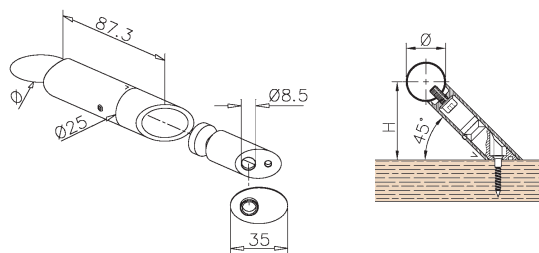


M6, Zintec, raw



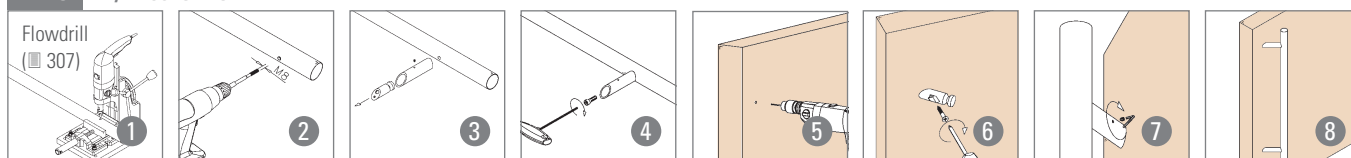
□	Art.no.	4
20 x 20 mm	11.4729.620.00	4

Adapter - 625 / 45°



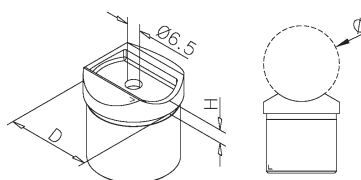
Ø	Stainless steel design	Chrome design	H	
	Art.no.	Art.no.		
25,4 mm (1")	12.0625.425.12	12.0625.425.10	71	2
38,1 mm (1,5")	12.0625.438.12	12.0625.438.10	75	2


INFO 11/12.0625.425...



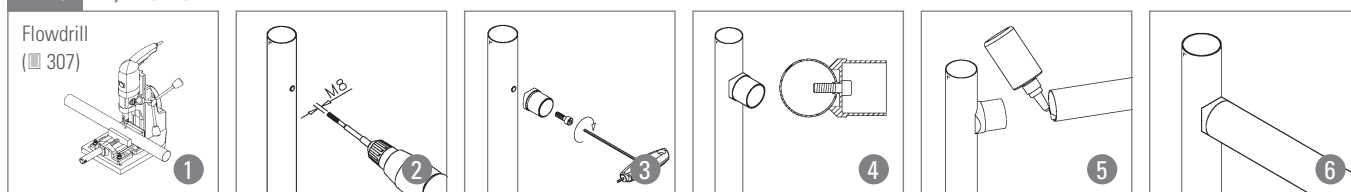
Universal fitting - 725 / 726 / 727 / 728

NEW Anthracite design



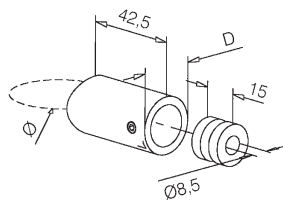
Ø	Stainless steel design	Chrome design	Brass design	Anthracite design	H	D	
	Art.no.	Art.no.	Art.no.	Art.no.			
19,0 mm	12.0725.019.12	12.0725.019.10	11.0725.019.22		3	Ø19,0	2
25,4 mm (1")	12.0725.025.12	12.0725.025.10	11.0725.025.22		3	Ø19,0	2
50,8 mm (2")	12.0726.050.12	12.0726.050.10	11.0726.050.22		8	Ø50,8 (2")	2
38,1 mm (1,5")	11.0727.038.20	11.0727.038.23	11.0727.038.22	11.0727.038.26	6	Ø38,1 (1,5")	2
50,8 mm (2")	12.0727.050.12	12.0727.050.10	11.0727.050.22		5	Ø38,1 (1,5")	2
25,4 mm (1")	12.0728.025.12	12.0728.025.10	11.0728.025.22	11.0728.025.26	3,5	Ø25,4 (1")	2
38,1 mm (1,5")	12.0728.038.12	12.0728.038.10	11.0728.038.22	11.0728.038.26	3,5	Ø25,4 (1")	2
50,8 mm (2")	12.0728.050.12	12.0728.050.10	11.0728.050.22		3,5	Ø25,4 (1")	2

INFO 11/12.0725...



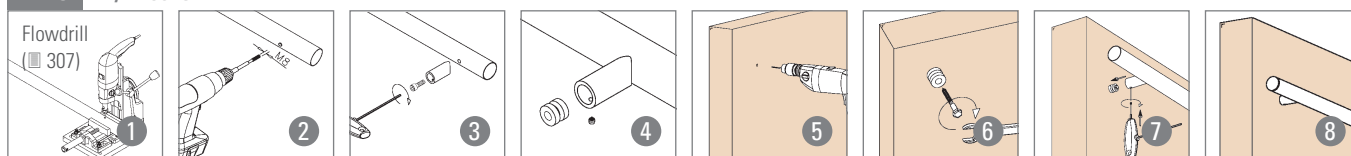
Flat adapter - 625

NEW Anthracite design

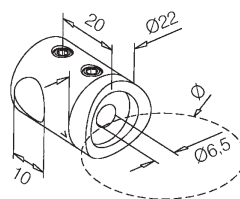


Ø	Stainless steel design Art.no.	Chrome design Art.no.	Brass design Art.no.	Anthracite design Art.no.	D	
19,0 mm	12.0625.019.12	12.0625.019.10	11.0625.019.22		Ø18	4
25,4 mm (1")	11.0625.025.20	11.0625.025.23	11.0625.025.22		Ø25	4
38,1 mm (1,5")	11.0625.038.20	11.0625.038.23	11.0625.038.22	11.0625.038.26	Ø25	4
50,8 mm (2")	11.0625.050.20	11.0625.050.23	11.0625.050.22		Ø25	2

INFO 11/12.0625...



Crossbar holder - 825

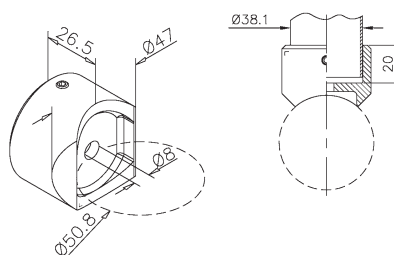


Ø	Stainless steel design Art.no.	Chrome design Art.no.	Brass design Art.no.	
38,1 mm (1,5")	11.0825.038.20	11.0825.038.23	11.0825.038.22	4
50,8 mm (2")	11.0825.050.20	11.0825.050.23	11.0825.050.22	4

Adapter - 724



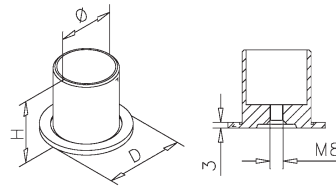
NEW




Ø	Stainless steel design Art.no.	Chrome design Art.no.	
50,8 mm (2")	12.0724.050.12	12.0724.050.10	2

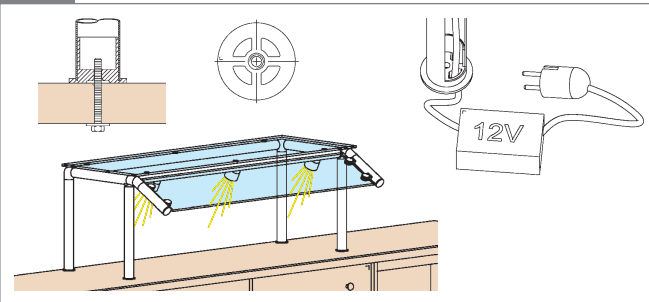
Tube connector - 500

NEW Anthracite design



Ø	Stainless steel design	Chrome design	Brass design	Anthracite design	H	D	
	Art.no.	Art.no.	Art.no.	Art.no.			
19,0 mm	12.0500.019.12	12.0500.019.10	11.0500.019.22		30	Ø25	2
25,4 mm (1")	11.0500.025.20	11.0500.025.23	11.0500.025.22	11.0500.025.26	40	Ø40	2
38,1 mm (1,5")	11.0500.038.20	11.0500.038.23	11.0500.038.22	11.0500.038.26	40	Ø50	2
50,8 mm (2")	11.0500.050.20	11.0500.050.23	11.0500.050.22		50	Ø60	2

INFO 11.0500.038... / 11.0500.050...



INFO Fixation



EXTRA-LOCK
50 ml
Metal glue

Art.no.
19.1330.000.00

INFO Protection



EXTRA-CLEAN
300 ml
Protecting spray

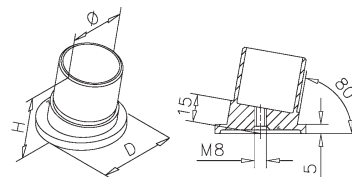
Art.no.
19.0600.000.00


Tube connector - 502

NEW Anthracite design

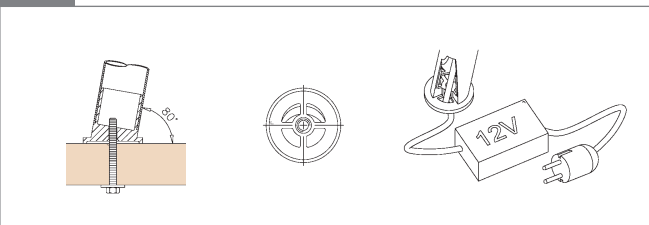


80°

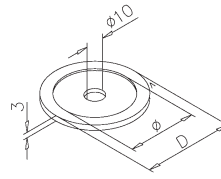



Ø	Stainless steel design	Chrome design	Brass design	Anthracite design	H	D	
	Art.no.	Art.no.	Art.no.	Art.no.			
25,4 mm (1")	11.0502.025.20	11.0502.025.23	11.0502.025.22		45	Ø40	2
38,1 mm (1,5")	11.0502.038.20	11.0502.038.23	11.0502.038.22	11.0502.038.26	45	Ø50	2

INFO 11.0502.038...

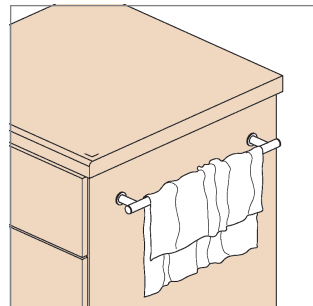
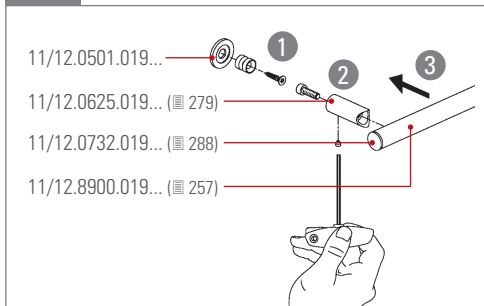


Rosette - 501

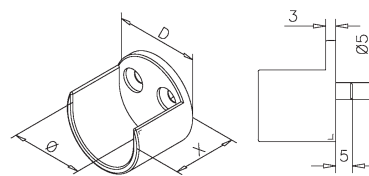



Ø	Stainless steel design	Chrome design	Brass design	D	
	Art.no.	Art.no.	Art.no.		
19,0 mm	12.0501.019.12	12.0501.019.10	11.0501.019.22	Ø30	10
25,4 mm (1")	12.0501.025.12	12.0501.025.10	11.0501.025.22	Ø40	10
38,1 mm (1,5")	12.0501.038.12	12.0501.038.10	11.0501.038.22	Ø50	10
50,8 mm (2")	12.0501.050.12	12.0501.050.10	11.0501.050.22	Ø60	10

INFO 11/12.0501.019...

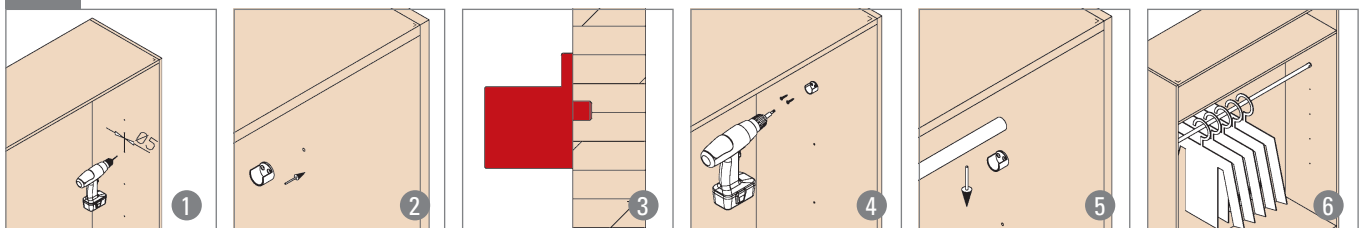


Open flange - 508

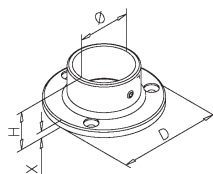


Ø	Stainless steel design	Chrome design	Brass design	D	X	
	Art.no.	Art.no.	Art.no.			
25,4 mm (1")	11.0508.025.20	11.0508.025.23	11.0508.025.22	Ø30	23	2
38,1 mm (1,5")	11.0508.038.20	11.0508.038.23	11.0508.038.22	Ø45	28	2

INFO 11.0508...

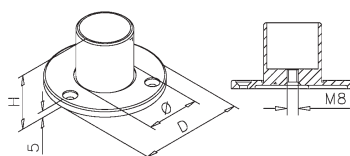


Flange - 505



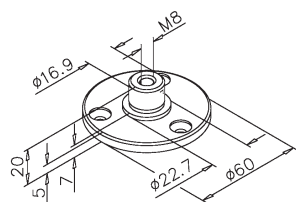
Ø	Stainless steel design Art.no.	Chrome design Art.no.	Brass design Art.no.	Anthracite design Art.no.	H	D	X	
19,0 mm	12.0505.019.12	12.0505.019.10	11.0505.019.22		15	Ø50	4	2
25,4 mm (1")	11.0505.025.20	11.0505.025.23	11.0505.025.22	11.0505.025.26	20	Ø60	5	2
38,1 mm (1,5")	11.0505.038.20	11.0505.038.23	11.0505.038.22	11.0505.038.26	28	Ø75	5	2
50,8 mm (2")	11.0505.050.20	11.0505.050.23	11.0505.050.22		30	Ø100	5	2

Flange - 504



Ø	Stainless steel design Art.no.	Chrome design Art.no.	Brass design Art.no.	Anthracite design Art.no.	H	D	
19,0 mm	12.0504.019.12	12.0504.019.10	11.0504.019.22		30	Ø40	2
25,4 mm (1")	11.0504.025.20	11.0504.025.23	11.0504.025.22	11.0504.025.26	40	Ø52	2
38,1 mm (1,5")	11.0504.038.20	11.0504.038.23	11.0504.038.22	11.0504.038.26	40	Ø75	2
50,8 mm (2")	11.0504.050.20	11.0504.050.23	11.0504.050.22		50	Ø100	2

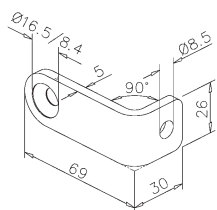
Base flange - 503



Ø	Stainless steel design Art.no.	Chrome design Art.no.	Brass design Art.no.	Anthracite design Art.no.	
25,4 mm (1")	11.0503.025.20	11.0503.025.23	11.0503.025.22	11.0503.025.26	2

Corner clamp - 108 / 025

NEW



Stainless steel design

Art.no.

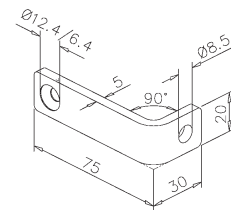
47.0108.025.12



1

Corner clamp - 4107 / 020

NEW



Stainless steel design

Art.no.

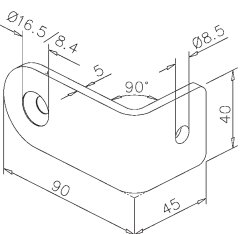
47.4107.020.12



1

Corner clamp - 108 / 038

NEW



Stainless steel design

Art.no.

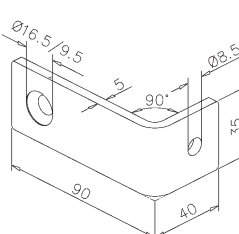
47.0108.038.12



1

Corner clamp - 4107 / 035

NEW



Stainless steel design

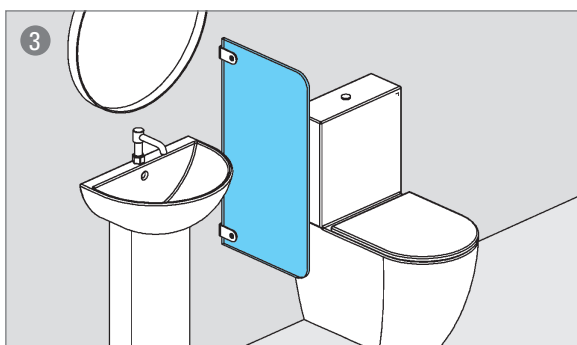
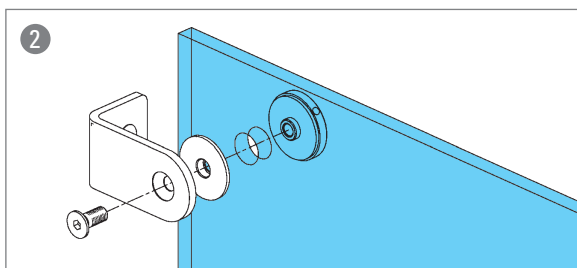
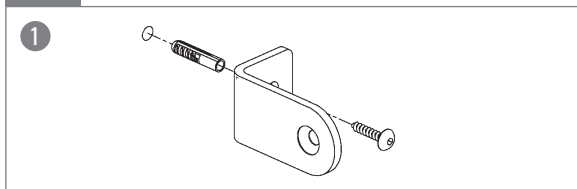
Art.no.

47.4107.035.12

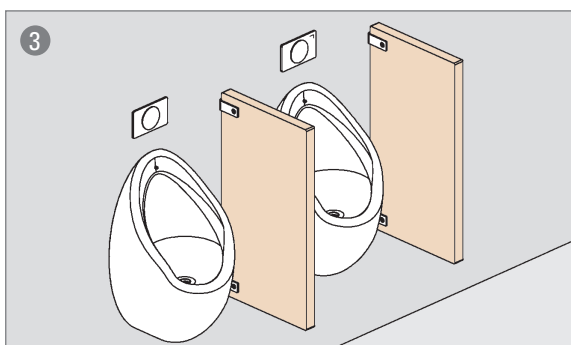
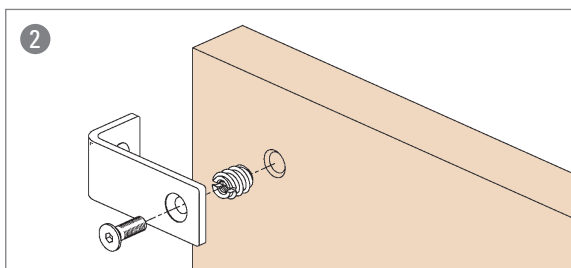
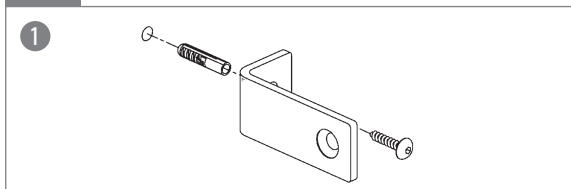


1

INFO 47.0108...




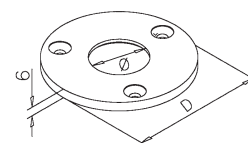
INFO 47.4107...



Floor flange - 506




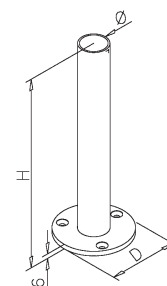
Stainless steel				
Ø	Art.no.	D		
22,5 mm	12.0506.025.00	Ø70	4	
35,0 mm	12.0506.038.00	Ø90	4	
48,0 mm	12.0506.050.00	Ø110	4	



Inner tube with flange - 912 / 913




Stainless steel				
Ø	Art.no.	H	D	
22,5 mm	12.0912.025.00	250	Ø70	2
35,0 mm	12.0912.038.00	250	Ø90	2
48,0 mm	12.0912.050.00	250	Ø110	2
22,5 mm	12.0913.025.00	830	Ø70	2
35,0 mm	12.0913.038.00	830	Ø90	2
48,0 mm	12.0913.050.00	830	Ø110	2

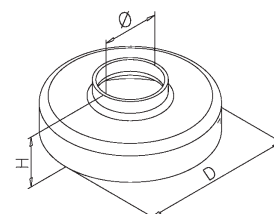


Base cover - 511

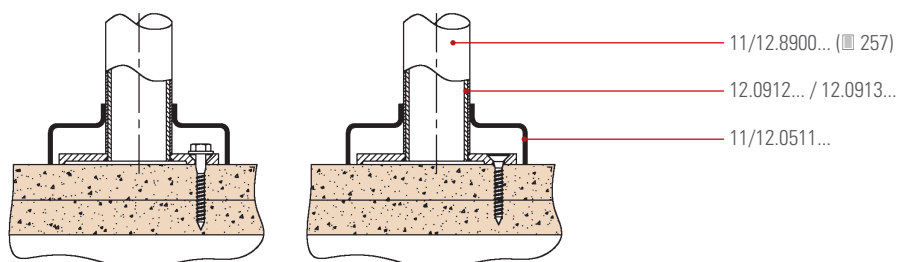


for 12.0912... / 12.0913...

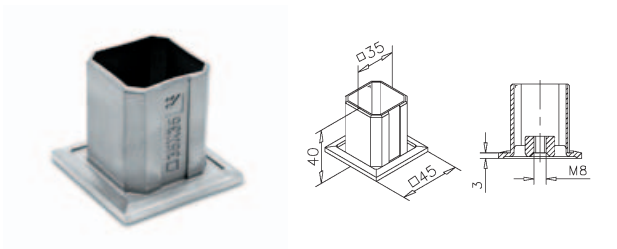
Ø	Stainless steel design	Chrome design	Brass design	H	D	
	Art.no.	Art.no.	Art.no.			
25,4 mm (1")	12.0511.025.12	12.0511.025.10	11.0511.025.22	30	Ø82	2
38,1 mm (1,5")	12.0511.038.12	12.0511.038.10	11.0511.038.22	34	Ø102	2
50,8 mm (2")	12.0511.050.12	12.0511.050.10	11.0511.050.22	40	Ø125	2




INFO 11/12.0511... / 12.0912...



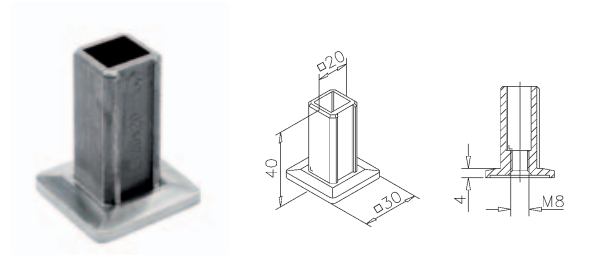
Tube connector - 4500 / 035




Stainless steel design

<input type="checkbox"/>	Art.no.	
35 x 35 mm	12.4500.035.12	2

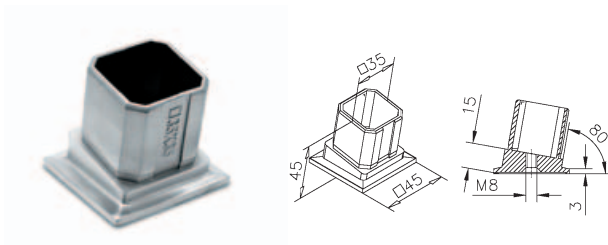
Tube connector - 4500 / 020



Stainless steel design


<input type="checkbox"/>	Art.no.	
20 x 20 mm	12.4500.020.12	2

Tube connector - 4502 / 035

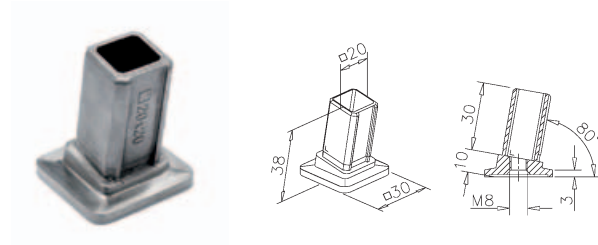


80°

Stainless steel design


<input type="checkbox"/>	Art.no.	
35 x 35 mm	12.4502.035.12	2

Tube connector - 4502 / 020

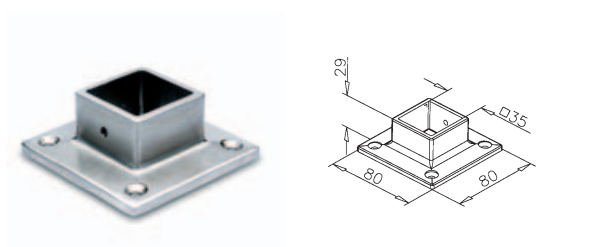


80°


Stainless steel design

<input type="checkbox"/>	Art.no.	
20 x 20 mm	12.4502.020.12	2

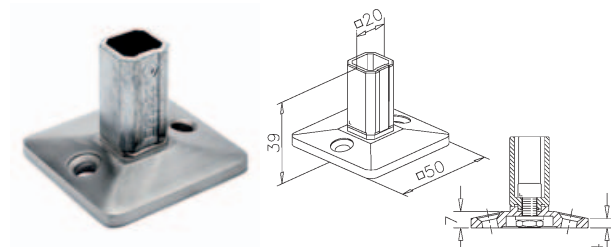
Flange - 4505 / 035




Stainless steel design

<input type="checkbox"/>	Art.no.	
35 x 35 mm	12.4505.035.12	2

Flange - 4504 / 020



Stainless steel design

<input type="checkbox"/>	Art.no.	
20 x 20 mm	12.4504.020.12	2



9



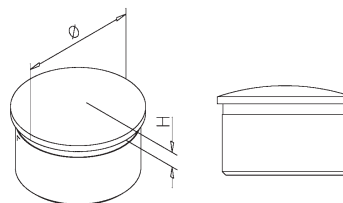
9 End caps and ball tops **288**




9 Nylon end caps **292**

Arched end cap - 729

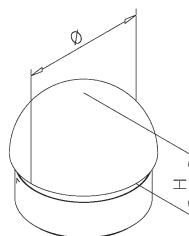
NEW Anthracite design




Ø	Stainless steel design Art.no.	Chrome design Art.no.	Brass design Art.no.	Anthracite design Art.no.	H	
19,0 mm	12.0729.019.12	11.0729.019.23	11.0729.019.22		3,5	4
25,4 mm (1")	11.0729.025.20	11.0729.025.23	11.0729.025.22	11.0729.025.26	5	2
38,1 mm (1,5")	11.0729.038.20	11.0729.038.23	11.0729.038.22	11.0729.038.26	5	2
50,8 mm (2")	11.0729.050.20	11.0729.050.23	11.0729.050.22		5	2

Domed end cap - 730

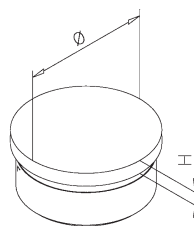
NEW Anthracite design




Ø	Stainless steel design Art.no.	Chrome design Art.no.	Brass design Art.no.	Anthracite design Art.no.	H	
25,4 mm (1")	11.0730.025.20	11.0730.025.23	11.0730.025.22		13	2
38,1 mm (1,5")	11.0730.038.20	11.0730.038.23	11.0730.038.22	11.0730.038.26	19	2
50,8 mm (2")	11.0730.050.20	11.0730.050.23	11.0730.050.22		25	2

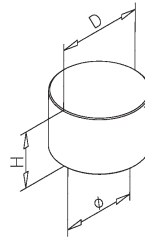
Flat end cap - 732

NEW Anthracite design



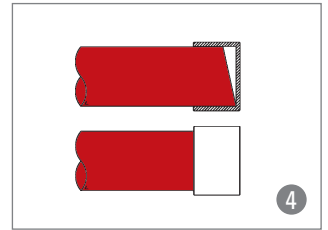
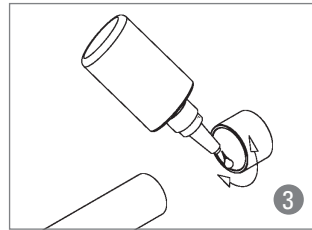
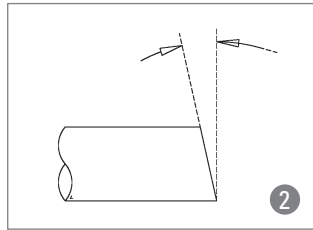
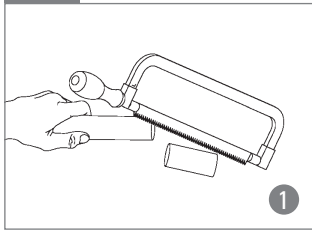
Ø	Stainless steel design Art.no.	Chrome design Art.no.	Brass design Art.no.	Anthracite design Art.no.	H	
19,0 mm	12.0732.019.12	11.0732.019.23	11.0732.019.22		2	4
25,4 mm (1")	11.0732.025.20	11.0732.025.23	11.0732.025.22	11.0732.025.26	4	2
38,1 mm (1,5")	11.0732.038.20	11.0732.038.23	11.0732.038.22	11.0732.038.26	4	2
50,8 mm (2")	11.0732.050.20	11.0732.050.23	11.0732.050.22		4	2

End cap, fits over tube - 736

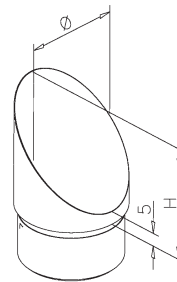


	Stainless steel design	Chrome design	Brass design			
Ø	Art.no.	Art.no.	Art.no.	H	D	
38,1 mm (1,5")	12.0736.038.12	12.0736.038.10	11.0736.038.22	30	Ø44	2

INFO 11/12.0736...



End cap 45° - 733

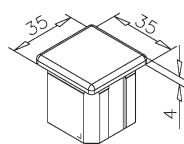


NEW Anthracite design



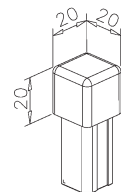
	Stainless steel design	Chrome design	Brass design	Anthracite design		
Ø	Art.no.	Art.no.	Art.no.	Art.no.	H	
19,0 mm	12.0733.019.12	12.0733.019.10	11.0733.019.22		24	2
25,4 mm (1")	12.0733.025.12	12.0733.025.10	11.0733.025.22		30	2
38,1 mm (1,5")	12.0733.038.12	12.0733.038.10	11.0733.038.22	11.0733.038.26	43	2
50,8 mm (2")	12.0733.050.12	12.0733.050.10	11.0733.050.22		55	2

Flat end cap - 4732 / 035



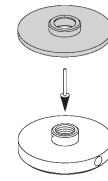
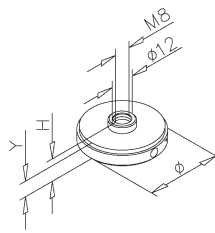
	Stainless steel design	
□	Art.no.	
35 x 35 mm	12.4732.035.12	2

End cap cube - 4732 / 020



	Stainless steel design	
□	Art.no.	
20 x 20 mm	12.4732.020.12	2

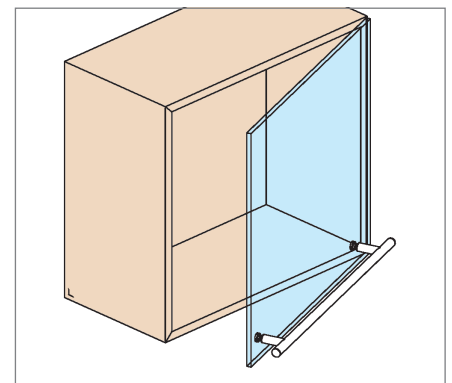
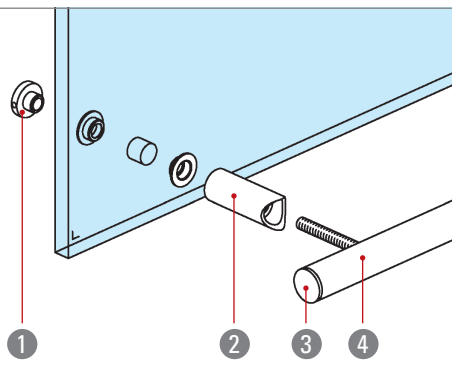
Finial - 731



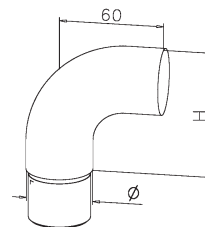
	Stainless steel design	Chrome design	Brass design	Anthracite design		H	Y	
\emptyset	Art.no.	Art.no.	Art.no.	Art.no.				
19,0 mm	12.0731.019.12	12.0731.019.10	11.0731.019.22			10	4	10
25,4 mm (1")	11.0731.025.20	11.0731.025.23	11.0731.025.22	11.0731.025.26		10,5	6	2
38,1 mm (1,5")	11.0731.038.20	11.0731.038.23	11.0731.038.22	11.0731.038.26		11,5	8	2
50,8 mm (2")	11.0731.050.20	11.0731.050.23	11.0731.050.22			13,5	10	2

INFO 11/12.0731.019...

- 1 11/12.0731.019...
- 2 11/12.0625.019... (■ 279)
- 3 11/12.0732.019... (■ 288)
- 4 11/12.8900.019... (■ 257)

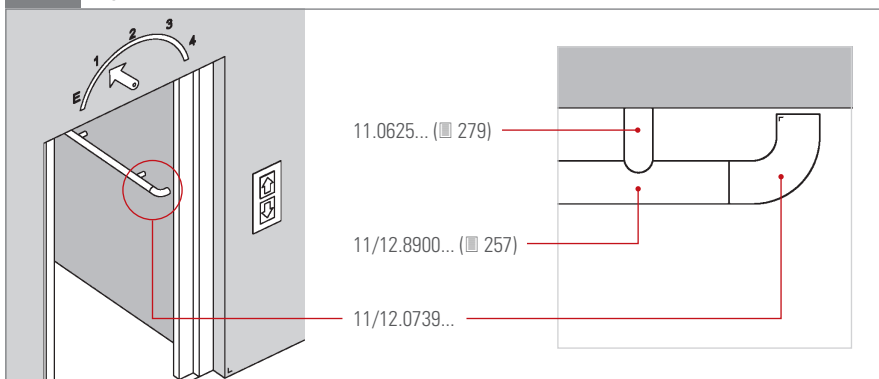


End scroll - 739



	Stainless steel design	Chrome design	Brass design		H	
\emptyset	Art.no.	Art.no.	Art.no.			
38,1 mm (1,5")	12.0739.038.12	12.0739.038.10	11.0739.038.22		75	2
50,8 mm (2")	12.0739.050.12	12.0739.050.10	11.0739.050.22		80	2

INFO 11/12.0739...



Universal angle ball - 211



Stainless steel design

Art.no.

11.0211.050.20

Chrome design

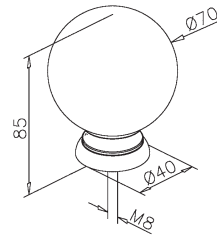
Art.no.

11.0211.050.23

Brass design

Art.no.

11.0211.050.22



2

Ball top - 212



Stainless steel design

Art.no.

11.0212.025.20

Chrome design

Art.no.

11.0212.025.23

Brass design

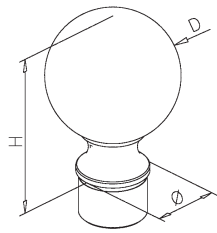
Art.no.

11.0212.025.22

Anthracite design

Art.no.

11.0212.038.26



NEW Anthracite design



Ø	Art.no.	Art.no.	Art.no.	Art.no.	H	D	
25,4 mm (1")	11.0212.025.20	11.0212.025.23	11.0212.025.22		65	Ø45	2
38,1 mm (1,5")	11.0212.038.20	11.0212.038.23	11.0212.038.22	11.0212.038.26	90	Ø70	2

End ball - 220



Stainless steel design

Art.no.

12.0220.020.12

Chrome design

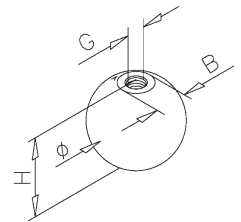
Art.no.

12.0220.020.10

Brass design

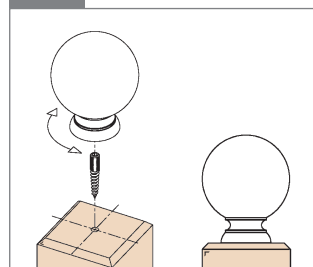
Art.no.

11.0220.020.22

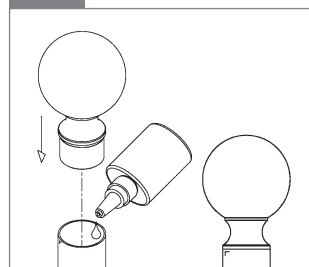


Ø	Art.no.	Art.no.	Art.no.	H	B	G	
20 mm	12.0220.020.12	12.0220.020.10	11.0220.020.22	18,5	10,5	M6	2
25 mm	12.0220.025.12	12.0220.025.10	11.0220.025.22	23,5	12	M8	2
30 mm	12.0220.030.12	12.0220.030.10	11.0220.030.22	28,5	13	M8	2
40 mm	12.0220.040.12	12.0220.040.10	11.0220.040.22	38,5	15	M8	2
50 mm	12.0220.050.12	12.0220.050.10	11.0220.050.22	48,5	17	M8	2

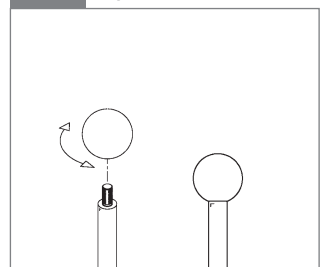
INFO 11.0211.050...



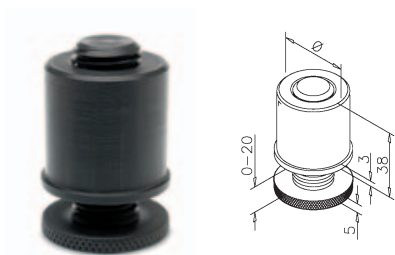
INFO 11.0212...




INFO 11/12.0220...



Adjustable end cap - 062




Nylon

Ø	Art.no.		
25,4 mm (1")	18.0062.025.00		4
38,1 mm (1,5")	18.0062.038.00		4
50,8 mm (2")	18.0062.050.00		4

End cap - 100



Nylon


Ø	Art.no.	H	
25,4 mm (1")	18.0100.025.00	9	1
38,1 mm (1,5")	18.0100.038.00	12	1
50,8 mm (2")	18.0100.050.00	12	1

End cap - 108

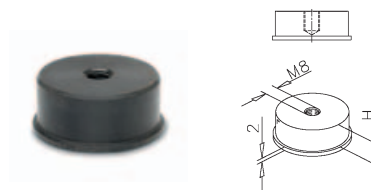
NEW




Nylon

Ø	Art.no.	H	
25,4 mm (1")	18.0108.025.00	11,5	1
38,1 mm (1,5")	18.0108.038.00	11,5	1
50,8 mm (2")	18.0108.050.00	14,5	1

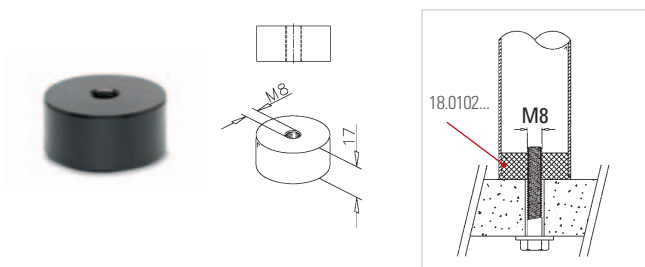
End cap - 101




Nylon

Ø	Art.no.	H	
19,0 mm	18.0101.019.00	14	1
25,4 mm (1")	18.0101.025.00	12	1
38,1 mm (1,5")	18.0101.038.00	14	1
50,8 mm (2")	18.0101.050.00	14	1

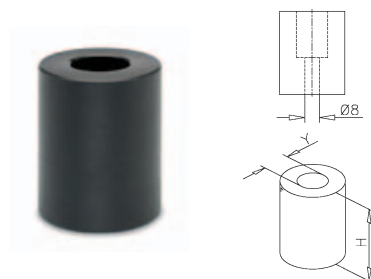
Plug - 102




Nylon

Ø	Art.no.		
25,4 mm (1")	18.0102.025.00		1
38,1 mm (1,5")	18.0102.038.00		1
50,8 mm (2")	18.0102.050.00		1

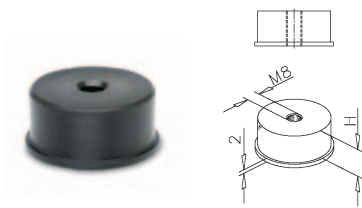
Plug - 103




Nylon

Ø	Art.no.	H	Y	
19,0 mm	18.0103.019.00	35	Ø15	1
25,4 mm (1")	18.0103.025.00	40	Ø17	1
38,1 mm (1,5")	18.0103.038.00	45	Ø17	1
50,8 mm (2")	18.0103.050.00	50	Ø17	1

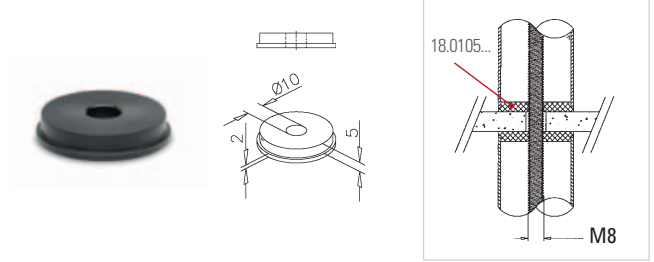
End cap - 104




Nylon

Ø	Art.no.	H	
19,0 mm	18.0104.019.00	14	1
25,4 mm (1")	18.0104.025.00	13	1
38,1 mm (1,5")	18.0104.038.00	15	1
50,8 mm (2")	18.0104.050.00	15	1

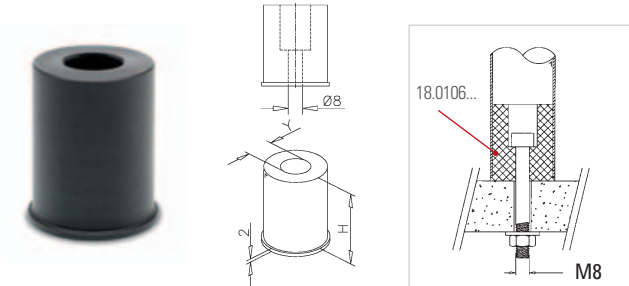
End cap - 105




Nylon

Ø	Art.no.	
19,0 mm	18.0105.019.00	1
25,4 mm (1")	18.0105.025.00	1
38,1 mm (1,5")	18.0105.038.00	1
50,8 mm (2")	18.0105.050.00	1

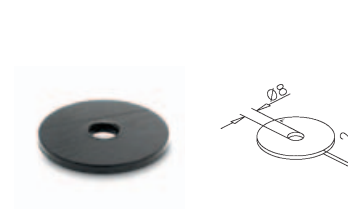
End cap - 106




Nylon

Ø	Art.no.	H	Y	
19,0 mm	18.0106.019.00	35	Ø15	1
25,4 mm (1")	18.0106.025.00	40	Ø17	1
38,1 mm (1,5")	18.0106.038.00	45	Ø17	1
50,8 mm (2")	18.0106.050.00	50	Ø17	1

Rosette - 107

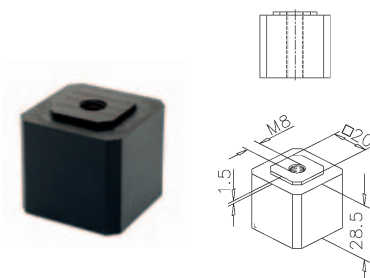


Nylon


Ø	Art.no.	
25,4 mm (1")	18.0107.025.00	1
38,1 mm (1,5")	18.0107.038.00	1
50,8 mm (2")	18.0107.050.00	1

Plug - 4102

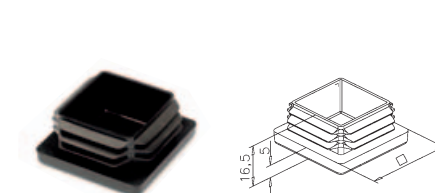
NEW




Nylon

□	Art.no.	
35 x 35 mm	18.4102.035.00	1

End cap - 100/4

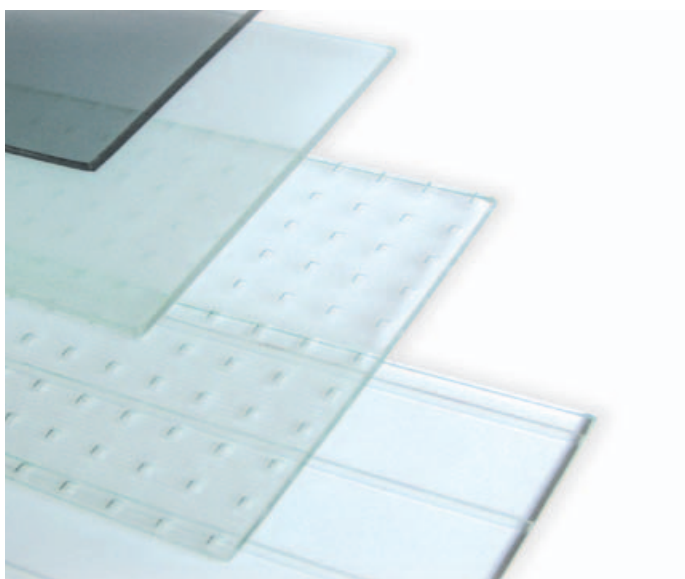


Nylon

□	Art.no.	
20 x 20 mm	18.0100.020.00	1
35 x 35 mm	18.0100.035.00	1

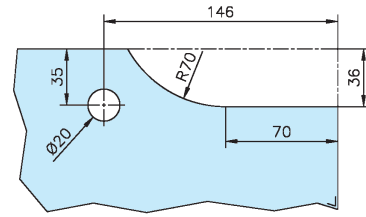


Glass and mirrors



Proposal inquiry „Cutted glass“

incl. drill holes and cutouts



Your specifics

Art.no. _____

H _____ mm B _____ mm T _____ mm

Fittings:

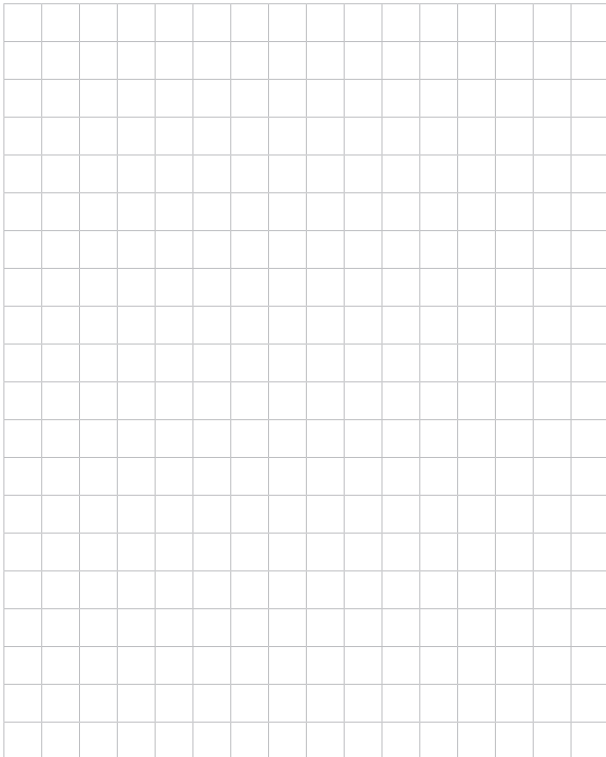
_____ x Art.no. _____

_____ x Art.no. _____

_____ x Art.no. _____

_____ x Art.no. _____

Sketch:



Example

Art.no. 48.1000.010.00

H 1983 mm B 841 mm T 10 mm

Fittings:

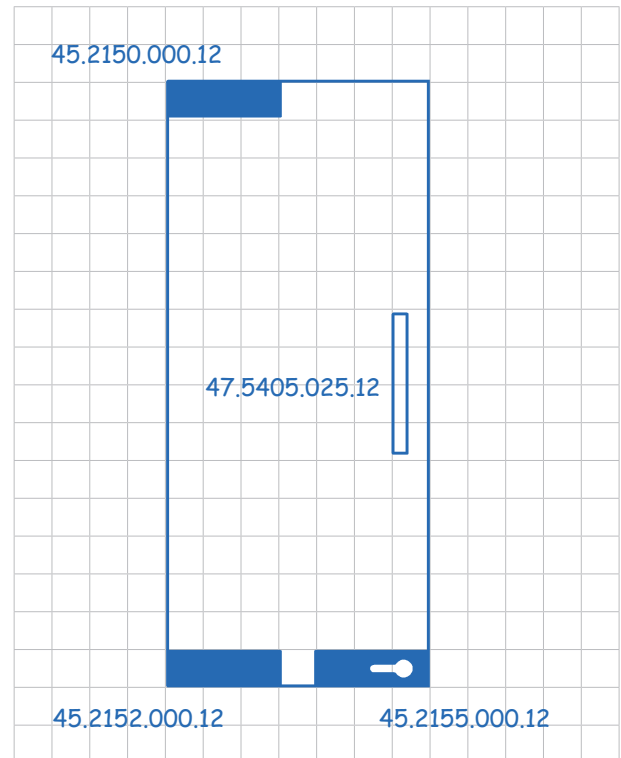
1 x Art.no. 45.2150.000.12

1 x Art.no. 45.2152.000.12

1 x Art.no. 45.2155.000.12

1 x Art.no. 47.5405.025.12

Sketch:



Sender

Name _____

Company _____

Street _____

Postcode, town _____

Telephone _____

Fax _____

E-Mail _____



10

Toughened glass - 1000



- float -

Art.no.	glass thickness (T)
48.1000.004.00	4 mm
48.1000.005.00	5 mm
48.1000.006.00	6 mm
48.1000.008.00	8 mm
48.1000.010.00	10 mm
48.1000.012.00	12 mm
48.1000.015.00	15 mm
48.1000.019.00	19 mm

Toughened glass - 2100



- grey -

Art.no.	glass thickness (T)
48.2100.004.00	4 mm
48.2100.006.00	6 mm
48.2100.008.00	8 mm
48.2100.010.00	10 mm

Toughened glass - 2150



- bronze -

Art.no.	glass thickness (T)
48.2150.004.00	4 mm
48.2150.006.00	6 mm
48.2150.008.00	8 mm
48.2150.010.00	10 mm

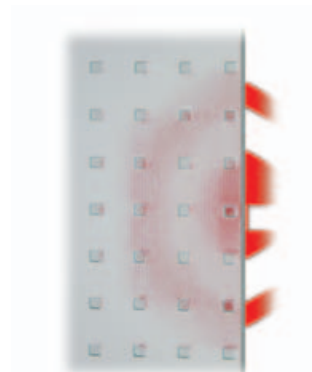
Toughened glass - 2200



- satinato -

Art.no.	glass thickness (T)
48.2200.004.00	4 mm
48.2200.006.00	6 mm
48.2200.008.00	8 mm
48.2200.010.00	10 mm

Toughened glass - 2250



- mastercarré -

Art.no.	glass thickness (T)
48.2250.004.00	4 mm
48.2250.006.00	6 mm
48.2250.008.00	8 mm
48.2250.010.00	10 mm

Laminated glass - 3000



- float -

Art.no.	glass thickness (T)
48.3000.007.00	6,38 mm (3 - 0,38 - 3)
48.3000.009.00	8,76 mm (4 - 0,76 - 4)
48.3000.011.00	10,76 mm (5 - 0,76 - 5)
48.3000.013.00	12,76 mm (6 - 0,76 - 6)

Laminated glass - 3200



- semi-toughened -

Art.no.	glass thickness (T)
48.3200.018.00	17,52 mm (8 - 1,52 - 8)

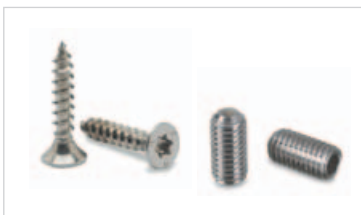
Mirrors - 5000



- silver -

Art.no.	glass thickness (T)
48.5000.004.00	4 mm
48.5000.006.00	6 mm





11 Screws **300**



11 Accessories for glass clamps **302**



11 Glass supports **304**



11 Rubber inlays **305**



11 Tools **306**



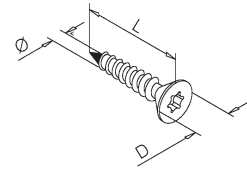
11 Miscellaneous **312**


Wood screw - 119



Torx, 50 pieces

NEW



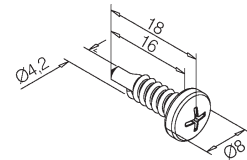
Stainless steel design	Chrome design	Brass design	Anthracite design	Ø	D	L	
Art.no.	Art.no.	Art.no.	Art.no.				
93.0119.316.12	93.0119.316.23	93.0119.316.22	93.0119.316.26	3	5,7	16	1
93.0119.416.12	93.0119.416.23	93.0119.416.22	93.0119.416.26	4	7,5	16	1
93.0119.516.12	93.0119.516.23	93.0119.516.22		5	9,5	16	1
93.0119.525.12	93.0119.525.23	93.0119.525.22	93.0119.525.26	5	9,5	25	1

Self drilling cross recessed pan head screw - 010



50 pieces

NEW



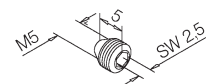
Stainless steel design	Chrome design	Brass design	Anthracite design	
Art.no.	Art.no.	Art.no.	Art.no.	
19.0010.000.20	19.0010.000.23	19.0010.000.22	19.0010.000.26	1

Hexagon socket set screw - 400 / 05



10 pieces

NEW



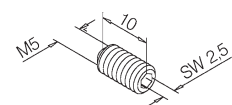
Stainless steel design	Chrome design	Brass design	Anthracite design	
Art.no.	Art.no.	Art.no.	Art.no.	
93.0400.505.12	93.0400.505.12	93.0400.505.22	93.0400.505.26	1


Hexagon socket set screw - 400 / 10



10 pieces

NEW




Stainless steel design	Chrome design	Brass design	Anthracite design	
Art.no.	Art.no.	Art.no.	Art.no.	
93.0400.510.12	93.0400.510.12	93.0400.510.22	93.0400.510.26	1

Hexagonal thread screw - 609



M8 x 60 mm, zinc-plated
10 pieces

Art.no. 
93.0609.860.15 1

Hexagon socket head cap screw - 680



M8 x 20 mm, zinc-plated
50 pieces

Art.no. 
93.0680.820.15 1

Hexagonal screw - 110



Ø 5,5 mm, L 54 mm, SW 10, zinc-plated
10 pieces

Art.no. 
19.0110.000.00 1

Thread - 800



M8, zinc-plated
1 piece

Art.no.	L
93.0800.810.15	1000 mm
93.0800.820.15	2000 mm
93.8800.820.15	cutted

Dowel screw - 100



M5 x 25 mm, zinc-plated
50 pieces

Art.no. 
93.0100.525.00 1

M8 x 50 mm, zinc-plated
10 pieces

Art.no. 
19.0100.000.00 1


Hexagon socket countersunk head cap screw - 670



M6 x 20 mm, 304 (V2A)
50 pieces

Art.no. 
93.0670.620.12 1

M8 x 25 mm, 304 (V2A)
50 pieces

Art.no. 
93.0670.825.12 1

Hexagon socket head cap screws - 680



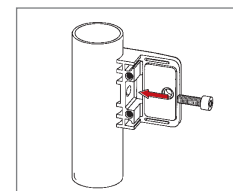
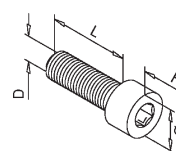
50 pieces

304 (V2A) - for models 23, 27 in stainless steel

Art.no.	L	H	Ø	D	
93.0680.612.12	12	4	10	M6	1

316 (V4A) - for models 20-22, 24, 26, 28, 44-52 in stainless steel

Art.no.	L	H	Ø	D	
93.0680.820.14	20	8	13	M8	1



zinc-plated - for models 23, 27 in zintec

Art.no.	L	H	Ø	D	
93.0680.612.15	12	4	10	M6	1

zinc-plated - for models 20-22, 26, 28, 44, 46 in zintec

Art.no.	L	H	Ø	D	
93.0680.820.15	20	8	13	M8	1

Hexagon socket countersunk head cap screws - 670




50 pieces

304 (V2A) - for models 23, 27 in stainless steel

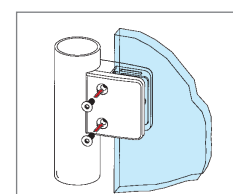
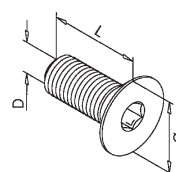
Art.no.	L	Ø	D	
93.0670.410.12	10	8	M4	1

316 (V4A) - for models 20-22, 28, 44-52 in stainless steel

Art.no.	L	Ø	D	
93.0670.616.14	16	12	M6	1

316 (V4A) - for models 24, 26 in stainless steel

Art.no.	L	Ø	D	
93.0670.620.14	20	12	M6	1



zinc-plated - for models 23, 27 in zintec

Art.no.	L	Ø	D	
93.0670.410.15	10	8	M4	1

zinc-plated - for models 20-22, 28, 44, 46 in zintec

Art.no.	L	Ø	D	
93.0670.616.15	16	12	M6	1


zinc-plated - for model 26 in zintec

Art.no.	L	Ø	D	
93.0670.620.15	20	12	M6	1

Nylon cover caps - 5010 / 5018



for lateral screws

Art.no.	Colour	Pcs. / clamp	
for models 20-22, 24, 26, 44-52			

19.5010.000.00	raw (grey)	2	8
----------------	------------	---	---

19.5010.000.20	stainless steel effect	2	8
----------------	------------------------	---	---

19.5010.000.22	gold coloured	2	8
----------------	---------------	---	---

19.5010.000.23	chrome coloured	2	8
----------------	-----------------	---	---

for model 28			
--------------	--	--	--

19.5010.060.00	raw (grey)	2	8
----------------	------------	---	---

19.5010.060.20	stainless steel effect	2	8
----------------	------------------------	---	---

19.5010.060.23	chrome coloured	2	8
----------------	-----------------	---	---

for models 23, 27			
-------------------	--	--	--

19.5018.000.20	stainless steel effect	2	8
----------------	------------------------	---	---

19.5018.000.22	gold coloured	2	8
----------------	---------------	---	---


19.5018.000.23	chrome coloured	2	8
----------------	-----------------	---	---

19.5018.000.26	anthracite	2	8
----------------	------------	---	---

Security pins - 5015





316 (V4A)

Art.no.	for glass clamp model	
19.5015.014.00	23, 27	4
19.5015.022.00	22, 28	4
19.5015.025.00	26	4
19.5015.030.00	24	4

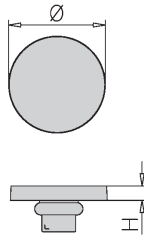
Rubber inlays - 5000...




Art.no.	glass (mm)	Pcs./ clamp	
for model 20			
19.5000.006.00	6	2	8
19.5000.007.00	6,76 (3 - 0,76 - 3)	2	8
19.5000.008.00	8	2	8
for model 21			
19.5002.006.00	6	2	8
19.5002.007.00	6,76 (3 - 0,76 - 3)	2	8
19.5002.008.00	8	2	8
19.5002.009.00	8,76 (4 - 0,76 - 4)	2	8
19.5002.010.00	10	2	8
19.5002.044.00	9,52 (4 - 1,52 - 4)	2	8
for model 22			
19.5004.006.00	6	2	8
19.5004.007.00	6,76 (3 - 0,76 - 3)	2	8
19.5004.008.00	8	2	8
19.5004.009.00	8,76 (4 - 0,76 - 4)	2	8
19.5004.010.00	10	2	8
19.5004.044.00	9,52 (4 - 1,52 - 4)	2	8
for model 23			
19.5016.006.00	6	2	8
19.5016.008.00	8	2	8
19.5016.032.00	6,76 (3 - 0,76 - 3)	2	8
19.5016.042.00	8,76 (4 - 0,76 - 4)	2	8
for model 24			
19.5007.012.00	12	2	8
19.5007.013.00	12,76 (6 - 0,76 - 6)	2	8
19.5007.017.00	16,76 (8 - 0,76 - 8)	2	8
19.5007.018.00	17,52 (8 - 1,52 - 8)	2	8
19.5007.044.00	9,52 (4 - 1,52 - 4)	2	8
19.5007.054.00	11,52 (5 - 1,52 - 5)	2	8
19.5007.064.00	13,52 (6 - 1,52 - 6)	2	8
for model 26			
19.5011.008.00	8	2	8
19.5011.009.00	8,76 (4 - 0,76 - 4)	2	8
19.5011.010.00	10	2	8
19.5011.011.00	10,76 (5 - 0,76 - 5)	2	8
19.5011.012.00	12	2	8
19.5011.013.00	12,76 (6 - 0,76 - 6)	2	8
19.5011.044.00	9,52 (4 - 1,52 - 4)	2	8
19.5011.054.00	11,52 (5 - 1,52 - 5)	2	8

Art.no.	glass (mm)	Pcs./ clamp	
for model 27			
19.5012.006.00	6	2	8
19.5012.008.00	8	2	8
19.5012.032.00	6,76 (3 - 0,76 - 3)	2	8
19.5012.042.00	8,76 (4 - 0,76 - 4)	2	8
for model 28			
19.5001.006.00	6	2	8
19.5001.007.00	6,76 (3 - 0,76 - 3)	2	8
19.5001.008.00	8	2	8
19.5001.009.00	8,76 (4 - 0,76 - 4)	2	8
19.5001.010.00	10	2	8
19.5001.011.00	10,76 (5 - 0,76 - 5)	2	8
19.5001.012.00	12	2	8
19.5001.013.00	12,76 (6 - 0,76 - 6)	2	8
19.5001.041.00	8,38 (4 - 0,38 - 4)	2	8
19.5001.044.00	9,52 (4 - 1,52 - 4)	2	8
19.5001.054.00	11,52 (5 - 1,52 - 5)	2	8
for model 44 / 46			
19.5008.008.00	8	2 / 4	8
19.5008.009.00	8,76 (4 - 0,76 - 4)	2 / 4	8
19.5008.010.00	10	2 / 4	8
19.5008.011.00	10,76 (5 - 0,76 - 5)	2 / 4	8
19.5008.012.00	12	2 / 4	8
19.5008.013.00	12,76 (6 - 0,76 - 6)	2 / 4	8
for model 51 / 52			
19.5005.008.00	8	2 / 4	8
19.5005.009.00	8,76 (4 - 0,76 - 4)	2 / 4	8
19.5005.010.00	10	2 / 4	8
19.5005.011.00	10,76 (5 - 0,76 - 5)	2 / 4	8
19.5005.012.00	12	2 / 4	8
19.5005.013.00	12,76 (6 - 0,76 - 6)	2 / 4	8
for model 0746			
19.5030.030.00	6 - 16	2	8

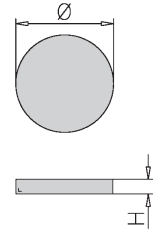
Glass supports - 6010




plug-in assembly

Art.no.	Ø	H	
19.6010.012.00	12 mm	2,0 mm	1 / (100 pieces)
19.6010.016.00	16 mm	2,5 mm	1 / (100 pieces)
19.6010.020.00	20 mm	3,0 mm	1 / (100 pieces)

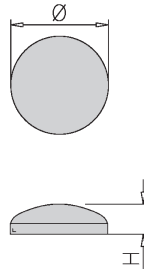
Glass supports - 6030



self-adhesive

Art.no.	Ø	H	
19.6030.008.00	8 mm	0,8 mm	1 / (500 pieces)
19.6030.012.00	12 mm	1,6 mm	1 / (280 pieces)

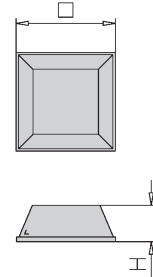
Glass supports - 6040




self-adhesive

Art.no.	Ø	H	
19.6040.006.00	6,4 mm	1,9 mm	1 / (561 pieces)
19.6040.007.00	7,9 mm	2,5 mm	1 / (392 pieces)
19.6040.008.00	8,0 mm	2,2 mm	1 / (392 pieces)
19.6040.010.00	10,0 mm	3,1 mm	1 / (288 pieces)

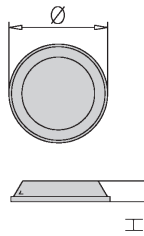
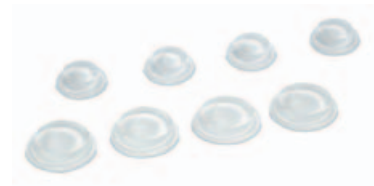
Glass supports - 6050




self-adhesive

Art.no.	□	H	
19.6050.202.00	20,5 mm	7,5 mm	1 / (78 pieces)

Glass supports - 6060



self-adhesive

Art.no.	Ø	H	
19.6060.012.00	12,7 mm	3,5 mm	1 / (200 pieces)
19.6060.019.00	19,0 mm	4,0 mm	1 / (84 pieces)

Rubber ring - 5031 / 10-15




for 11.0680... - 11.0686...

Art.no.	Ø	
19.5031.010.00	6 mm	1
19.5031.015.00	10 mm	1

Rubber inlay - 5033 / 19-50




for 11.0731...

Art.no.	Ø	
19.5033.019.00	19,0 mm	1
19.5033.025.00	25,4 mm (1")	1
19.5033.038.00	38,1 mm (1,5")	1
19.5033.050.00	50,8 mm (2")	1

Rubber inlay - 5031 / 50




for 11.0113... / 11.0121.000...

Art.no.	Ø	
19.5031.050.00	50,8 mm (2")	1

Rubber inlay - 5033 / 50



for 11.0113... / 11.0121.000...

Art.no.	Ø	
19.5033.050.00	50,8 mm (2")	1

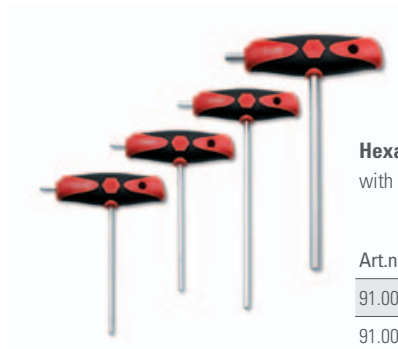
Rubber strip - 6020




for shelf support

Art.no.	L	
19.6020.200.00	200 mm	1
19.6020.300.00	300 mm	1

Screwdriver - 020




Hexagon socket
with cross grip and side take-off

Art.no.		
91.0020.925.01	2,5	1
91.0020.930.01	3,0	1
91.0020.940.01	4,0	1
91.0020.960.01	6,0	1

Screwdriver - 021




Torx
with cross grip and side take-off

Art.no.		
91.0021.910.01	T10	1
91.0021.915.01	T15	1
91.0021.925.01	T25	1

Bit - 050




Hexagon socket
hard and tough coated

Art.no.		
91.0050.925.65	2,5	1
91.0050.930.65	3,0	1
91.0050.940.65	4,0	1
91.0050.960.65	6,0	1

Bit - 051



Torx
diamond-coated

Art.no.		
91.0051.910.66	T10	1
91.0051.915.66	T15	1
91.0051.925.66	T25	1

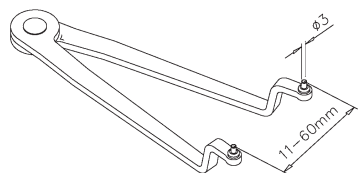
Pin wrench - 010

NEW




adjustable, steel

Art.no.	
91.0010.003.03	1



Cable cutter - 7800



Art.no.	
91.7800.000.00	1

Portable saw G2 - 8200



Saw (without saw blade)

Art.no.

91.8200.000.00



1

Saw blade 235 x 1,9 x 32 mm

Art.no.

92.0090.002.08



1

Maximum cutting capacities

90° Cutting

○ 70 mm

□ 60 mm

□ 70 x 50 mm

● 30 mm

45° Bevel cutting

○ 65 mm

□ 55 mm

□ 60 x 55 mm

● 30 mm

- Spur and bevel cuts up to 45° left
- Powerful DC motor 230V/1500 Watt
- Stable transmission in oil bath
- Built-in, reliable electric automatic cooling
- Handy compact with a carrying handle for transport
- Weight 20 kg

Technical data

Motor 1,5 kW - 230 V

Stepless speed 25-85 min.-1

Saw blade diameter 235 mm

Weight 20 kg

Saw blade 235 x 1,9 x 32 mm
for profiles up to 2,5 mm wall thickness

Mobile flow drilling machine - 8000



with drill stand

Art.no.

91.8000.000.00



1

Flowdrilling

- bush length up to 3 times of original material thickness
- useful for strong threads with high pull out strength
- replaces weld nuts, rivet nuts or press nuts
- materials from 0.8 to 2.5 mm thickness

Standard set includes

- hand drill unit
- drilling rig
- vice (max. spanning width Ø 50,8 mm)
- system case containing
 - Flowdrill tools for M6 + M8
 - Flowtaps for M6 + M8
 - lubricants for tapping
 - incl. T- slot spanners
 - customized tool holder incl. collets for M6 + M8
 - spanners

Specifications

rated input power:

1.020 W, 230 V, 50/60 Hz

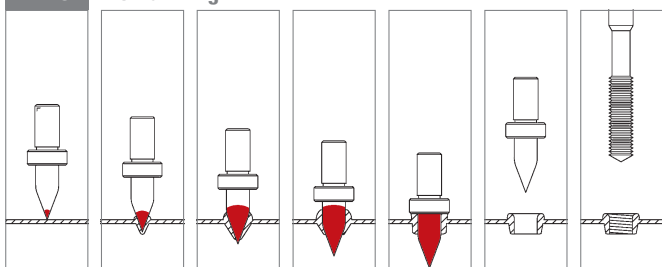
drill chuck with expandable range:

Ø 1,5 - 13 mm (for use with standard spiral drills)

collet tap holder:

Ø 6 + 8 mm (for Flowdrilling)

INFO Flowdrilling



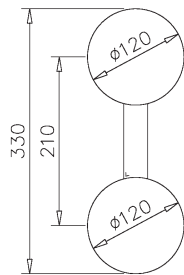
Suction lifter - 1500



2-cup, Trio-Grip, aluminium

Art.no.	
91.1500.000.00	1


max. 60  kg



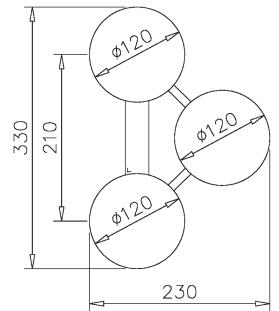
Suction lifter - 1600



3-cup, Trio-Grip, aluminium

Art.no.	
91.1600.000.00	1


max. 80  kg



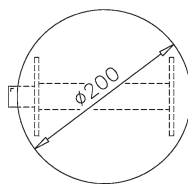
Suction lifter - 1700



Powr-Grip, Lexan

Art.no.	
91.1700.000.00	1

max. 57  kg



Spare suction pump - 1710
for Powr-Grip

Art.no.	
91.1710.000.00	1

Spare suction pad - 1720
200 mm for Powr-Grip

Art.no.	
91.1720.000.00	1

Oil glass cutter - 1000



for glass thickness 0,8 - 12 mm

Art.no.		
91.1000.000.00		1

Carbide oil glass cutter - 1010




for glass thickness 2 - 12 mm

Art.no.		
91.1010.000.00		1

Glass cutoil - 1020



Art.no.		
91.1020.000.00	250 ml	1

Radius corner template - 1110



Art.no.	R	
91.1110.000.00	10 - 70 mm	1

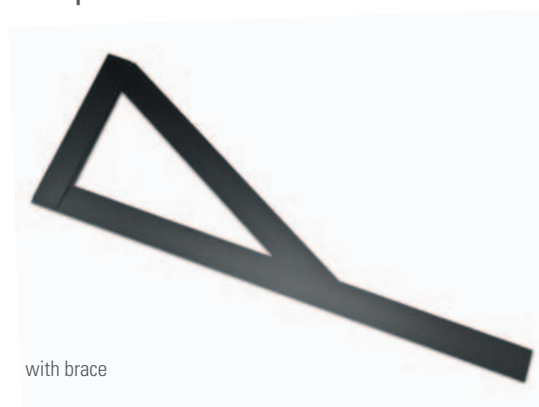
Circle cutter - 1100




for glass thickness 2 - 8 mm

Art.no.	Ø	
91.1100.040.00	- 400 mm	1
91.1100.060.00	- 600 mm	1
91.1100.100.00	- 1000 mm	1
91.1100.120.00	- 1200 mm	1

L square - 1200




with brace

Art.no.	L	
91.1200.080.00	800 mm	1
91.1200.105.00	1050 mm	1
91.1200.150.00	1500 mm	1
91.1200.205.00	2050 mm	1

Cut running pliers - 1300




3-points, for glass thickness 6 - 16 mm

Art.no.	L	
91.1300.000.00	230 mm	1

Glass breaking pliers - 1400




W 22 mm, for glass thickness 5 - 12 mm

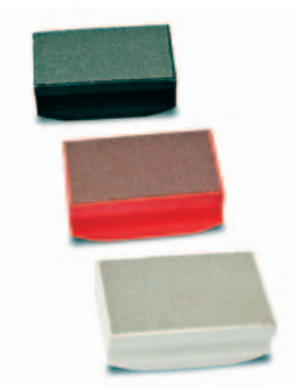
Art.no.	L	
91.1400.000.00	220 mm	1

Tajima - Universal glassknife - 2500



Art.no.		
91.2500.000.00	235 x 75 mm	1

Diamond hand grinder - 2100...




ca. 95 x 57 x 30 mm

Art.no.		
91.2100.000.00	K120	1
91.2110.000.00	K200	1
91.2120.000.00	K400	1

Glass scraper - 2700



metal

Art.no.	B	
91.2700.000.00	40 mm	1

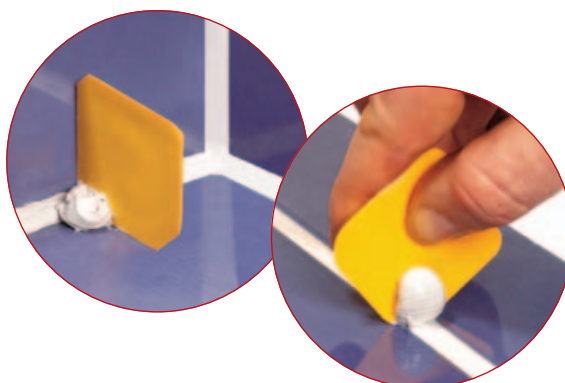
Spare scraper knives - 2710




100 pieces

Art.no.	B	
91.2710.000.00	40 mm	1

Sealant template - 2600



„Fugen-ASS“ (set of 4 pieces)

Art.no.		
91.2600.000.00		1

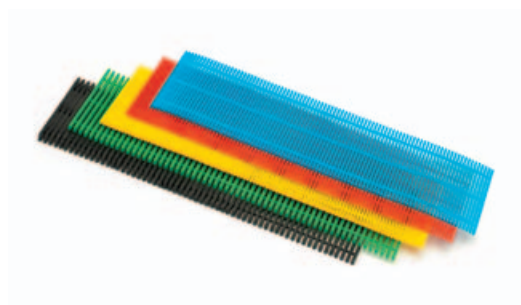
Cork protector pads - 2300




with adhesive foam
(roll of 10.000 pieces)

Art.no.		
91.2300.184.00	18 x 18 x 4 mm	1

Vario-Stabi plastic blocks - 2310...



Art.no.		
91.2310.000.00	300 x 80 x 2 mm	1
91.2320.000.00	300 x 80 x 3 mm	1
91.2330.000.00	300 x 80 x 4 mm	1
91.2340.000.00	300 x 80 x 5 mm	1
91.2350.000.00	300 x 80 x 6 mm	1

Glass sponge - 2400



hardwood

Art.no.		
91.2400.000.00	280 x 70 mm	1

Lining tool „Thumber“ - 2900




for rubber gaskets

Art.no.		
91.2900.000.00		1

Protective kid gloves - 2010



pair
with sailcloth

Art.no.	
91.2010.000.00	1

Glassprotecting gloves - 2020



pair
„Finegrip“, size 10, latexcoating

Art.no.	
91.2020.000.00	1

Latex gloves - 2000



100 pieces
size L, powdered

Art.no.	
91.2000.000.00	1

Protective gloves - 700



pair

Art.no.	
19.0700.000.00	1

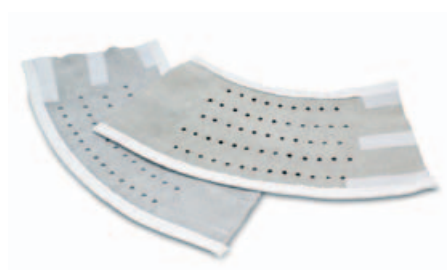
Hand protection lap - 2040



with thumb hole
thickness ca. 2,0 mm

Art.no.		
91.2040.000.00	ca. 130 x 170 mm	1

Wristprotector - 2030



pair
with Velcro strip, splitleather

Art.no.	W	
91.2030.000.00	ca. 160 mm	1

Protecting spray - 600



EXTRA-CLEAN, 300 ml

Art.no.		
19.0600.000.00		1

- without propellant -

Metal glue - 1330



EXTRA-LOCK, 50 ml


Art.no.		
19.1330.000.00		1

Consumption per bonding ca. 1 ml

Redacryl - high performance tape - 2800



9,0 x 1,0 mm

Art.no.	L	
91.2800.005.00	5 m	1
91.2800.000.00	33 m	1

Protective glasses - 2050

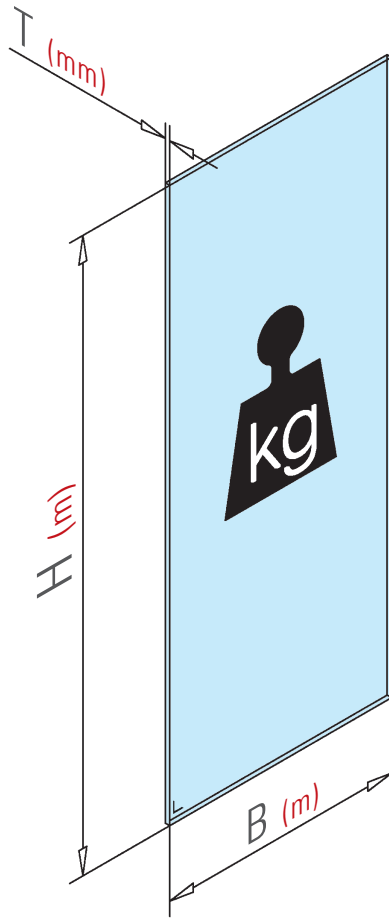


Art.no.		
91.2050.000.00		1

Impressions



INFO Glass calculation



$$\text{kg} = B_{(m)} \times H_{(m)} \times 2,5 \times T_{(mm)}$$

$$B = m$$

$$H = m$$

$$T = \text{mm!!!}$$

Example

$$B = 1,2 m$$

$$H = 1,9 m$$

$$T = 12 mm$$

$$1,2 \times 1,9 \times 2,5 \times 12 = 68,4 \text{ kg}$$

INFO Finishes



Stainless steel design



Chrome design

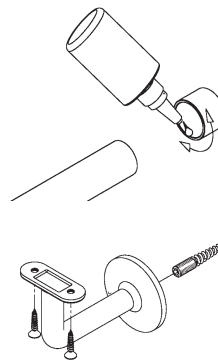


Brass design



Anthracite design

INFO Mounting



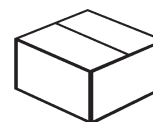
All G-FITTINGS products are glued or screwed during assembly. Matching screws are always included. If you plan to weld, please contact us in advance.

INFO Dimensions



All G-FITTINGS products that are marked with this symbol, are produced according to order. Other dimensions as specified in the catalogue, are individually possible.

INFO Packaging unit



The specified packaging unit serves only as a reference. The packaging unit has no binding effect on your order quantity.



Germany

Marie-Curie-Straße 16-18
D-46446 Emmerich am Rhein

T +49 (0) 28 22 / 962-0

F +49 (0) 28 22 / 962-221

E sales@g-fittings.com

I www.g-fittings.com

UK and Eire

T +44 (0) 17 82 / 491 030

E sales@g-fittings.co.uk

I www.g-fittings.co.uk

Polska

T +48 (0) 55 / 2670100

E sales@g-fittings.pl

I www.g-fittings.pl